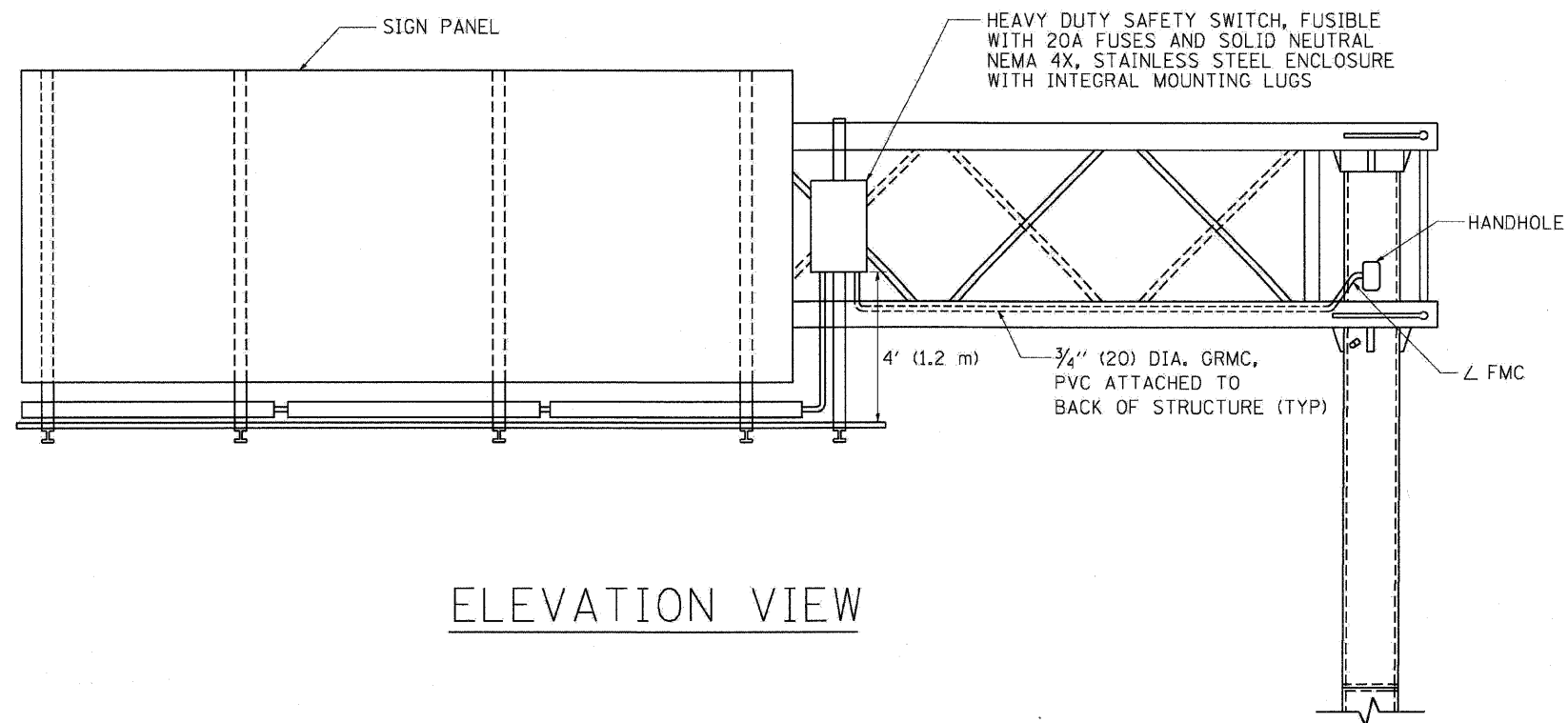
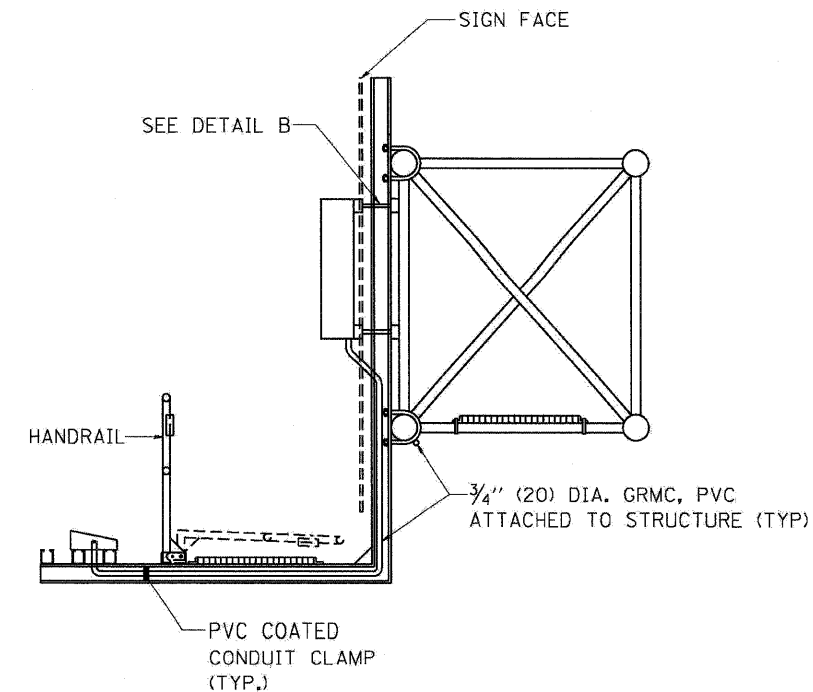
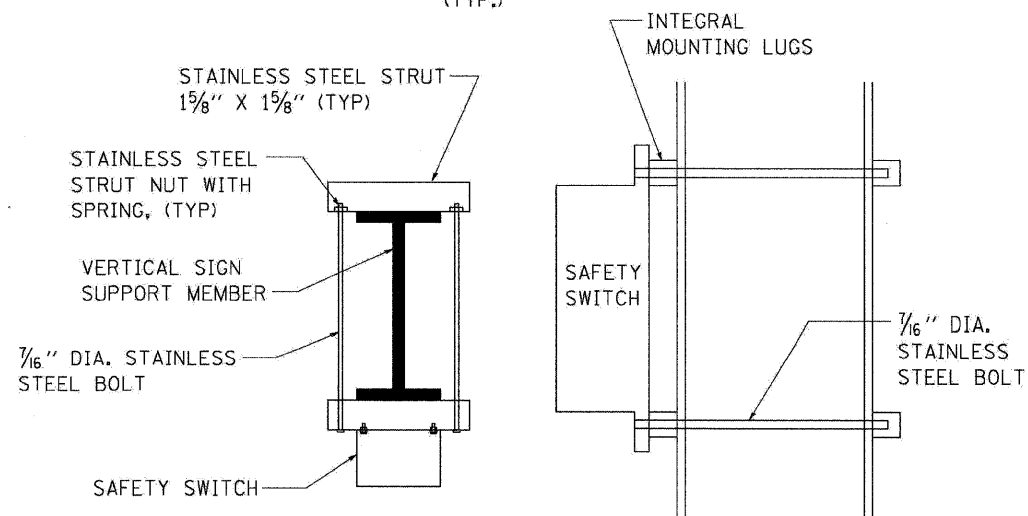


TOP VIEW



ELEVATION VIEW



TOP VIEW

SIDE VIEW

DETAIL B

BE-601

FILE NAME -	DESIGNED - AJP	REVISED -
...ppln_ABC_C3_01_BE-601B.dgn	DRAWN - TMB	REVISED -
USER NAME = jmajewski	CHECKED - JMM	REVISED -
PLOT DATE = 1/25/2010	DATE - 1/25/10	REVISED -

benesch

**STATE OF ILLINOIS
DEPARTMENT OF TRANSPORTATION**

ELECTRIC CONNECTION TO SIGN STRUCTURE CANTILEVER TYPE

SCALE: N.T.S. SHEET NO. 8 OF 20 SHEETS STA. 10 STA.

F.A.I. RTE.	SECTION	COUNTY	TOTAL SHEETS	SHEET NO.
290	(2727, ETC., 3131)RS-7	COOK	216	204
FED. ROAD DIST. NO. ILLINOIS FED. AID PROJECT			CONTRACT NO. 60053	