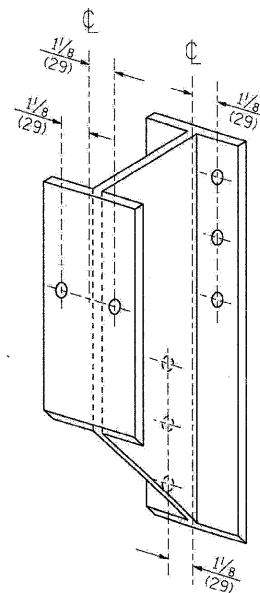
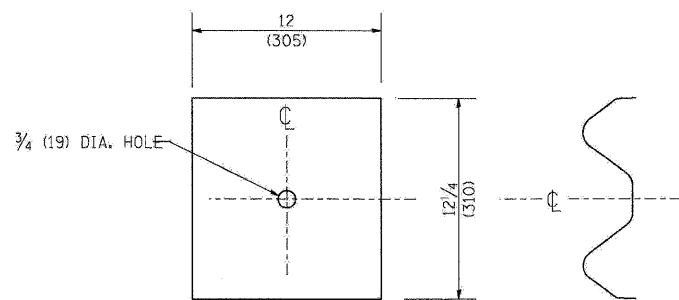


STEEL POST CONSTRUCTION



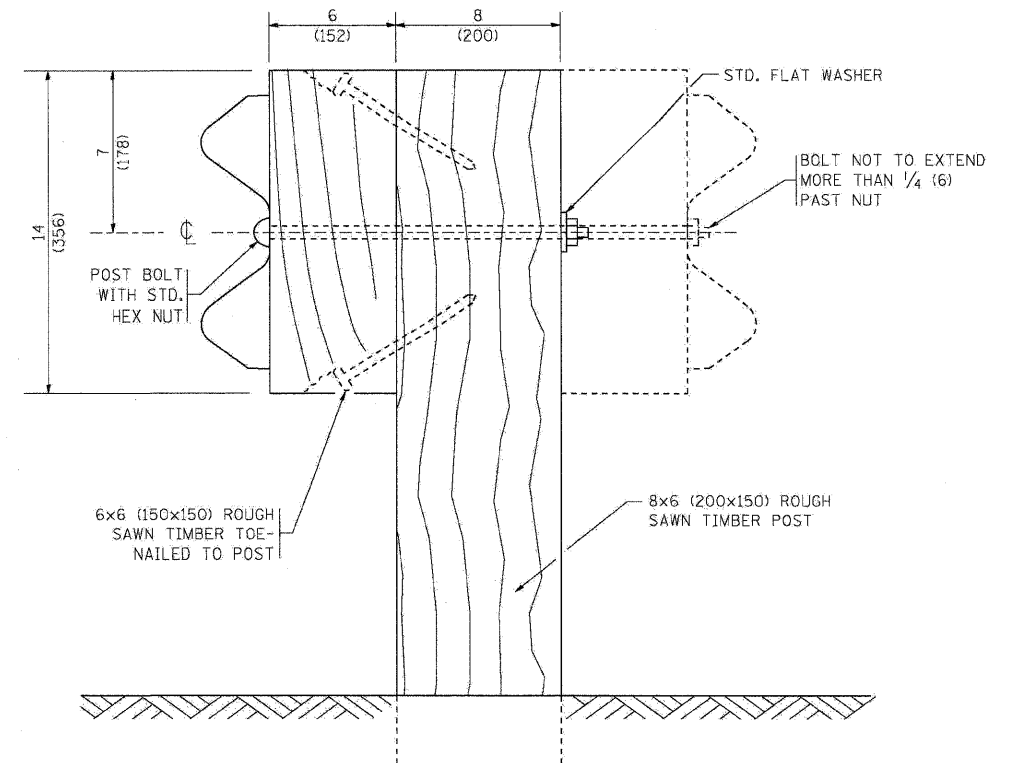
STEEL BLOCK-OUT DETAIL



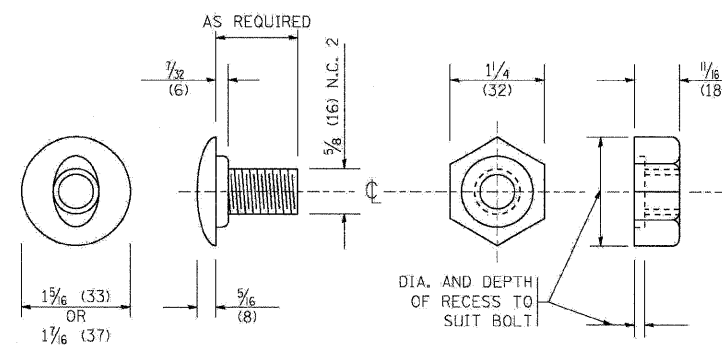
NOTE:

PLATE A SHALL BE PLACED BETWEEN RAIL ELEMENT AND BLOCK-OUT AT NON-SPLICE MOUNTING POINTS ONLY WHEN STEEL BLOCK-OUTS ARE USED.

PLATE A



WOOD POST CONSTRUCTION



POST OR SPLICE BOLT & NUT

BM-21

FILE NAME =	DESIGNED - AJP	REVISED -
...prp1n.ABC.C3.01.BM-21R.dgn	DRAWN - TMB	REVISED -
USER NAME = jma_jwsk1	CHECKED - JMM	REVISED -
PLOT DATE = 1/25/2012	DATE - 1/25/10	REVISED -

**benesch**

**STATE OF ILLINOIS  
DEPARTMENT OF TRANSPORTATION**

**REMOVE AND REERECT GUARDRAIL**

SCALE: N.T.S. SHEET NO. 10 OF 20 SHEETS STA. TO STA.

F.A.I. RTE.	SECTION	COUNTY	TOTAL SHEETS	SHEET NO.
290	(2727, ETC., 313)RS-7	COOK	216	206
FED. ROAD DIST. NO. ILLINOIS FED. AID PROJECT			CONTRACT NO. 60053	