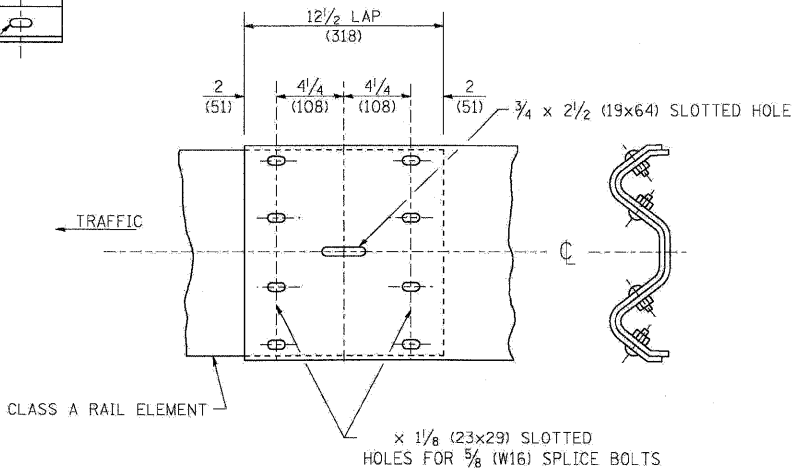
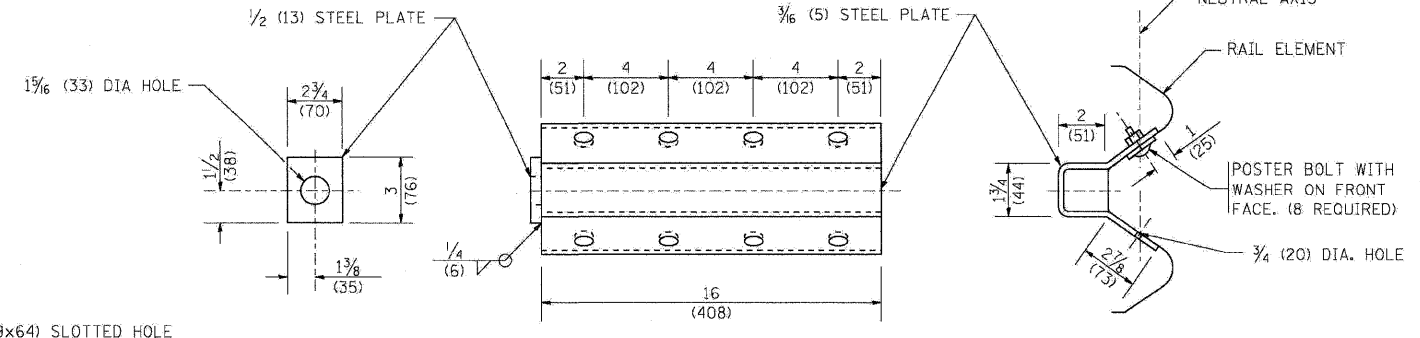


SPLICE PLATE

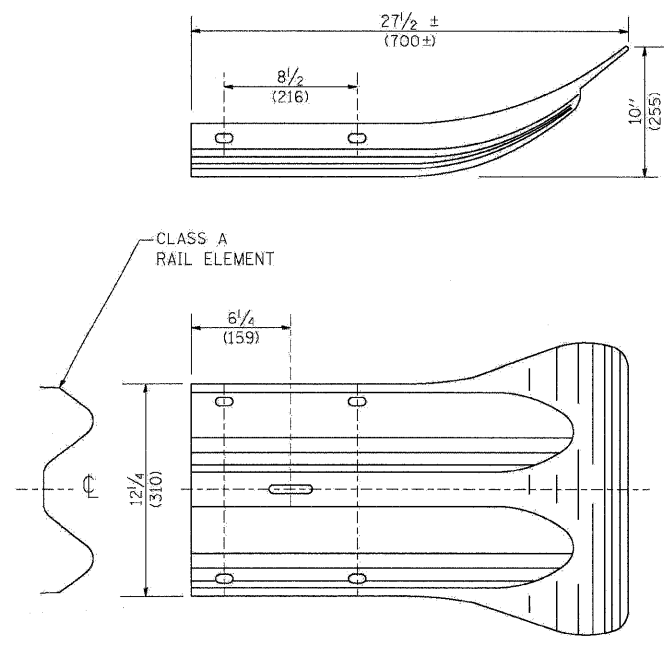


RAIL ELEMENT SPLICE

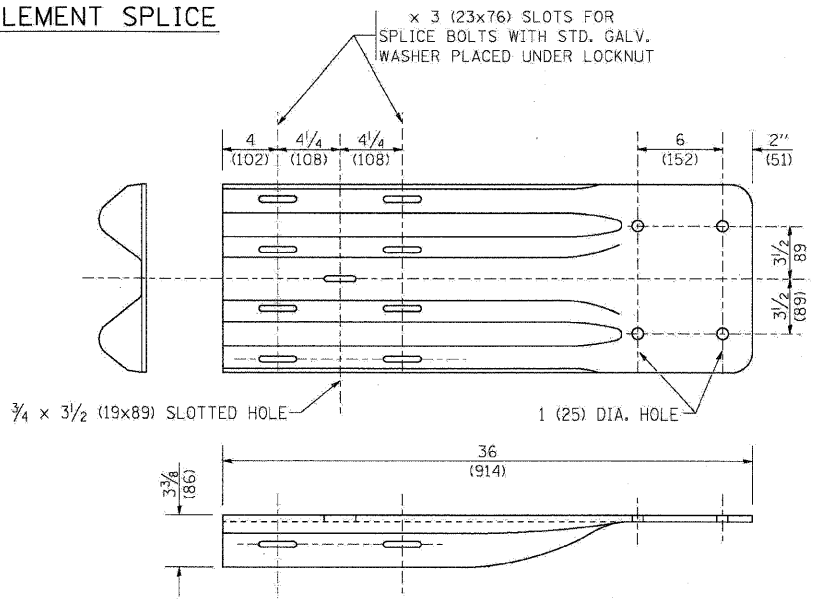


NOTE:
ANCHOR PLATE T SHALL BE USED TO ATTACH CABLE ASSEMBLY TO GUARDRAIL WHEN REQUIRED ON TRAFFIC BARRIER TERMINALS.

ANCHORE PLATE T DETAILS

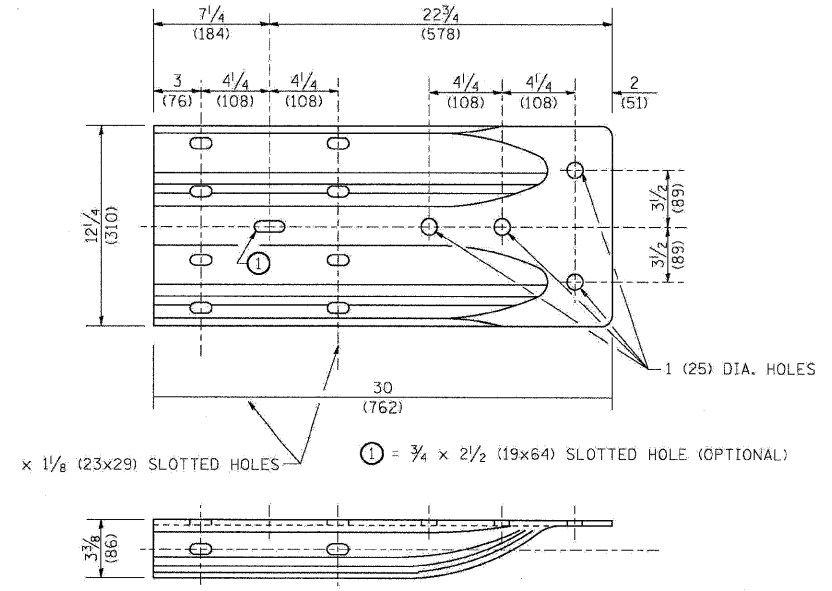


END SECTION



END SHOE

NOTE:
WHEN END SHOE IS ATTACHED TO A BRIDGE PARAPET WHICH HAS AN EXPANSION JOINT, THE BOLTS SHALL BE PROVIDED WITH A LOCKNUT OR DOUBLE NUT AND SHALL BE TIGHTENED ONLY TO A POINT THAT WILL ALLOW GUARDRAIL MOVEMENT.
THE STANDARD END SHOE SHALL BE ATTACHED TO THE CONCRETE WITH PRE-DRILLED OR SELF-DRILLING ANCHOR BOLTS. THE ANCHOR CONE SHALL BE SET FLUSH WITH THE SURFACE OF THE CONCRETE.
EXTERNALLY THREADED STUDS PROTRUDING FROM THE SURFACE OF THE CONCRETE WILL NOT BE PERMITTED.



ALTERNATE END SHOE

FILE NAME =	DESIGNED - AJP	REVISED -
...prepIn_ABC_C3_01_BM-21C.dgn	DRAWN - TMB	REVISED -
USER NAME = jmajewski	CHECKED - JMM	REVISED -
PLOT DATE = 1/25/2010	DATE - 1/25/10	REVISED -

benesch

**STATE OF ILLINOIS
DEPARTMENT OF TRANSPORTATION**

REMOVE AND REERECT GUARDRAIL

SCALE: N.T.S. SHEET NO. 11 OF 20 SHEETS STA. TO STA.

F.A.I. RTE.	SECTION	COUNTY	TOTAL SHEETS	SHEET NO.
290	(2727, ETC., 3131)RS-7	COOK	216	207
FED. ROAD DIST. NO. ILLINOIS FED. AID PROJECT			CONTRACT NO. 60G53	

BM-21