

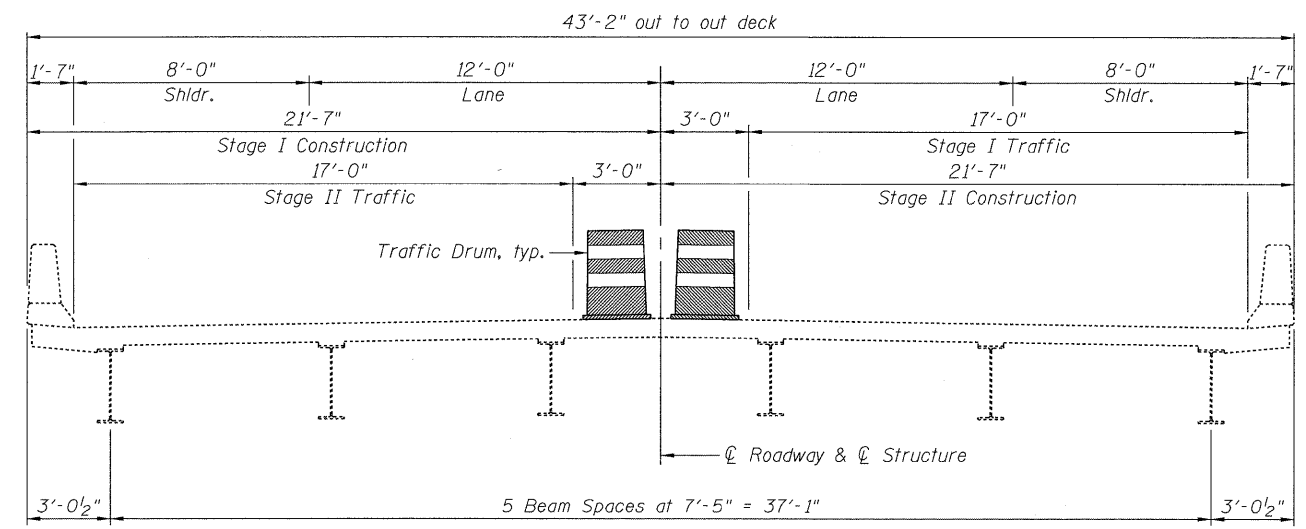
PLAN

GENERAL NOTES

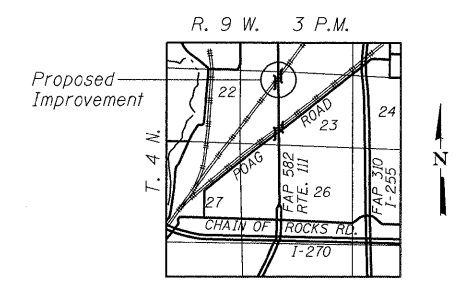
A Concrete Sealer shall be applied to the surfaces of the deck and parapets (See Special Provisions for BRIDGE DECK CONCRETE SEALER).
 Existing pavement markings shall be temporarily covered prior to application of the deck surface treatment, to prevent the material from being applied over the markings. The temporary covering shall be removed after the application of the deck surface treatment and prior to opening to traffic. Cost included with Concrete Sealer.

TOTAL BILL OF MATERIAL

ITEM	UNIT	SUPER	SUB	TOTAL
Concrete Sealer	Sq. Ft.	14,910		14,910



CROSS SECTION
(Looking South)



LOCATION SKETCH

GENERAL PLAN
IL RTE 111 OVER UNION PACIFIC RAILROAD
F.A.P. RTE 582
SECTION DIST. 8 BRIDGE DECK 2011-4
MADISON COUNTY
STATION 16+60.51
STRUCTURE NO. 060-0122

Coombe-Bloxdorf P.C. - CIVIL ENGINEERS - - STRUCTURAL ENGINEERS - - LAND SURVEYORS - Design Firm License No. 184-002703	PROJECT NO. 09025-4 SCALE DATE 8/16/10 DESIGN BY MCB DRAWN BY MML CHECKED BY	SHEET NO. 8 23 SHEETS	F.A. RTE. VAR. DIST 8 BRIDGE DECK 2011-4 FED. ROAD DIST. NO.	SECTION MADISON	COUNTY MADISON	TOTAL SHEETS 29	SHEET NO. 14
	CONTRACT NO. 76E44				ILLINOIS FED. AID PROJECT		

USER NAME = JMWL