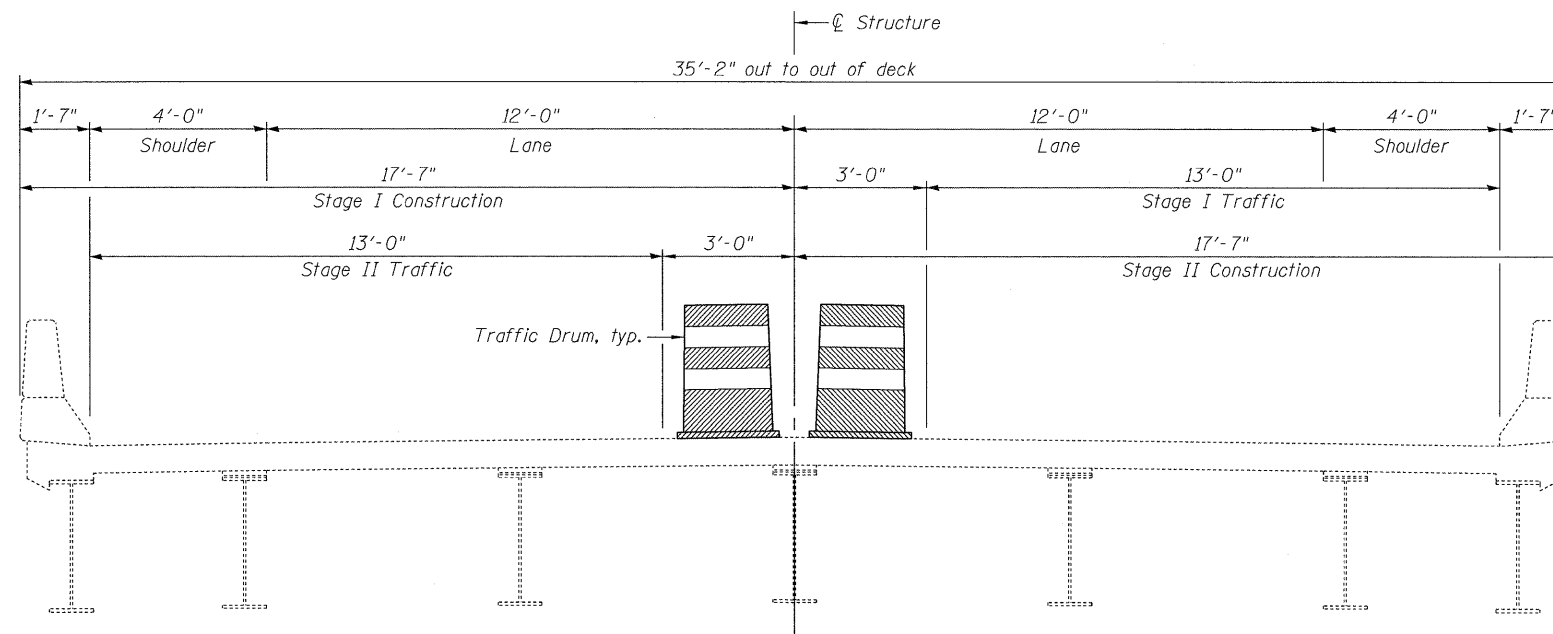


PLAN

GENERAL NOTES

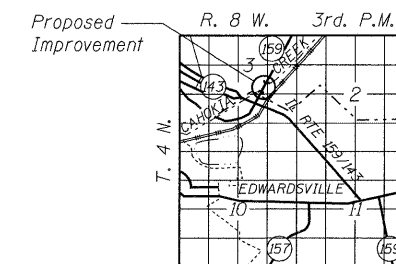
A Concrete Sealer shall be applied to the surfaces of the deck and parapets (See Special Provisions for BRIDGE DECK CONCRETE SEALER). Existing pavement markings shall be temporarily covered prior to application of the deck surface treatment, to prevent the material from being applied over the markings. The temporary covering shall be removed after the application of the deck surface treatment and prior to opening to traffic. Cost included with Concrete Sealer.



CROSS SECTION

TOTAL BILL OF MATERIAL

ITEM	UNIT	SUPER	SUB	TOTAL
Concrete Sealer	Sq. Ft.	9,155		9,155



LOCATION SKETCH

GENERAL PLAN
IL RTE 159 OVER CAHOKIA CREEK
F.A.P. RTE. 604
SECTION DIST. 8 BRIDGE DECK 2011-4
MADISON COUNTY
STATION 829+60.50
STRUCTURE NUMBER 060-0129

CB Coombe-Bloxdorf P.C.
 - CIVIL ENGINEERS -
 - STRUCTURAL ENGINEERS -
 - LAND SURVEYORS -
 Design Firm License No. 184-002703

PROJECT NO. 09025-4
 SCALE 8/16/10
 DESIGN BY MCB
 DRAWN BY CFC/MMML
 CHECKED BY

F.A.P. RTE.	SECTION	COUNTY	TOTAL SHEETS	SHEET NO.
VAR. DIST 8 BRIDGE DECK 2011-4	MADISON	29	16	
CONTRACT NO. 76E44				
FED. ROAD DIST. NO.	ILLINOIS	FED. AID PROJECT		

USER NAME = JMWL