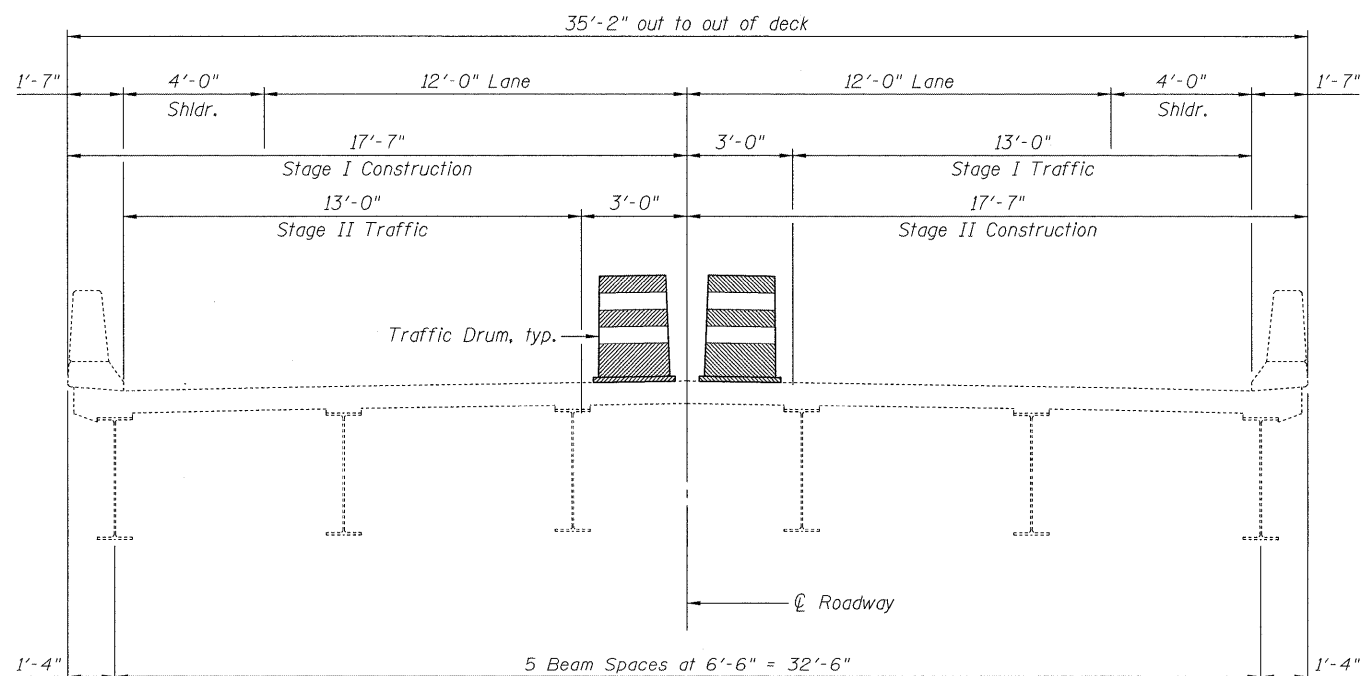
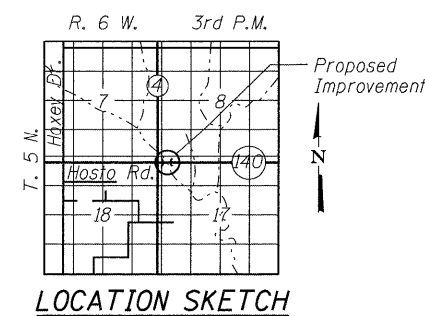


PLAN



CROSS SECTION
(Looking East)



LOCATION SKETCH

GENERAL NOTES

A Concrete Sealer shall be applied to the surfaces of the deck and parapets (See Special Provisions for BRIDGE DECK CONCRETE SEALER).
Existing pavement markings shall be temporarily covered prior to application of the deck surface treatment, to prevent the material from being applied over the markings. The temporary covering shall be removed after the application of the deck surface treatment and prior to opening to traffic. Cost included with Concrete Sealer.

TOTAL BILL OF MATERIAL

ITEM	UNIT	SUPER	SUB	TOTAL
Concrete Sealer	Sq. Ft.	2,505		2,505

GENERAL PLAN
IL RTE 140 OVER STREAM
F.A. RTE 785
SECTION DIST. 8 BRIDGE DECK 2011-4
MADISON COUNTY
STATION 980+14.00
STRUCTURE NUMBER 060-0258

<p>Coombe-Bloxdorf P.C. - CIVIL ENGINEERS - - STRUCTURAL ENGINEERS - - LAND SURVEYORS - Design Firm License No. 184-002703</p>	PROJECT NO. 09025-4 SCALE DATE 8/16/10 DESIGN BY MCB DRAWN BY AB/MML CHECKED BY	SHEET NO. 17 23 SHEETS	F.A. RTE. VAR. DIST 8 BRIDGE DECK 2011-4	SECTION MADISON	COUNTY MADISON	TOTAL SHEETS 29	SHEET NO. 23
	FEDERAL ROAD DIST. NO. ILLINOIS FED. AID PROJECT		CONTRACT NO. 76E44				