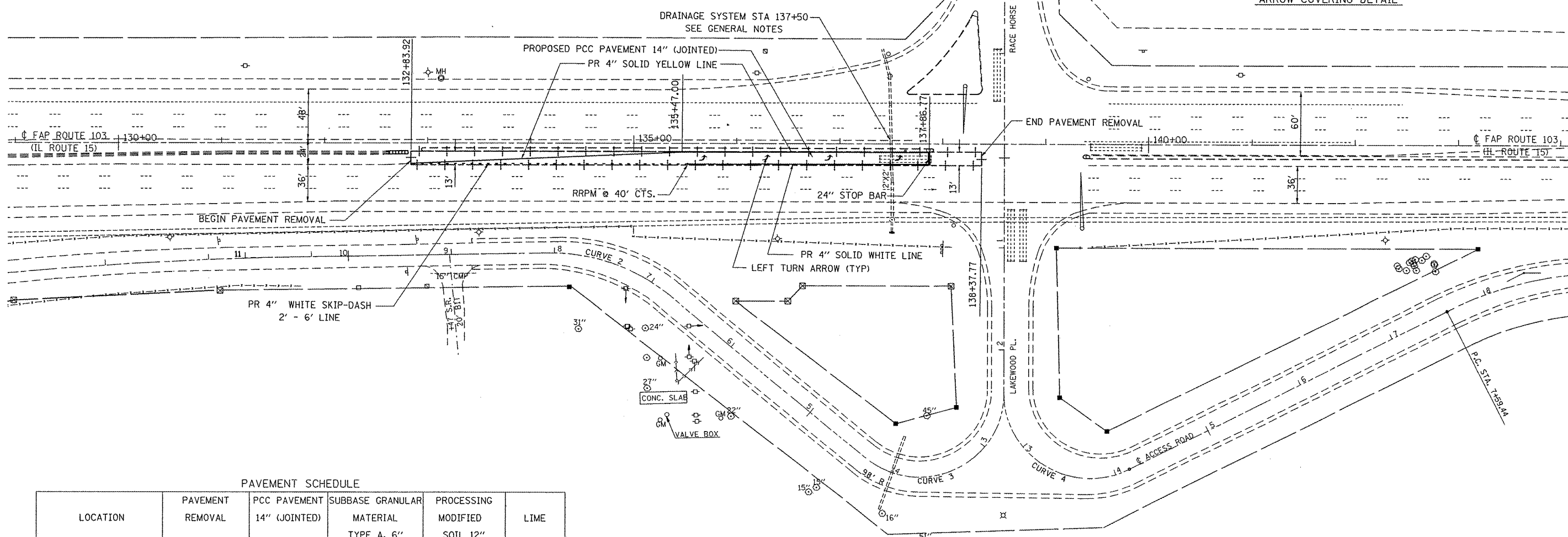
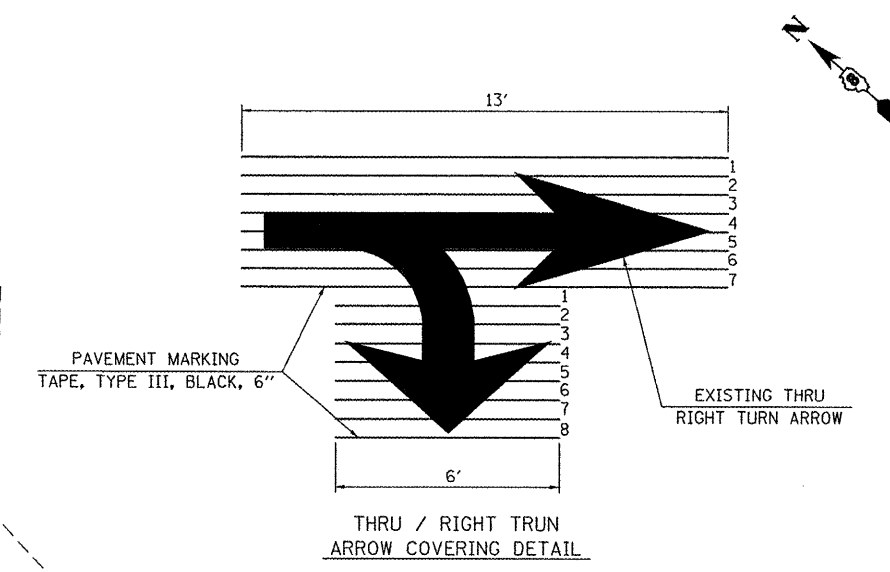


PAVEMENT MARKING SCHEDULE

LOCATION		4" SOLID WHITE	4" SOLID YELLOW	4" SKIP DASH WHITE 2' DASH - 6' SKIP LINE	24" SOLID WHITE	LETTERS & SYMBOLS	RAISED REFLECTIVE PAVEMENT MARKERS	PAVEMENT MARKING TAPE TYPE III BLACK, 6"
STATION	TO	FOOT	FOOT	FOOT	FOOT	SQ. FT	EACH	FOOT
132+83.92	TO	135+47.00	264	66				
135+47.00	TO	137+86.77	240				7	
		137+86.77			13			
		126+92.24				15.6		
		127+31.97				15.6		
		127+71.44				15.6		
		128+15.90				15.6		
129+17.84	TO	138+37.77						920
129+17.84	TO	138+37.77						920
123+71.69	TO	138+37.77						1467
123+71.69	TO	132+83.92						913
THROUGH / RT TURN ARROWS								139
SUB-TOTAL		240	504	66	13	62.4	7	4359
TOTALS			810					



PAVEMENT SCHEDULE

LOCATION		PAVEMENT REMOVAL	PCC PAVEMENT 14" (JOINTED)	SUBBASE GRANULAR MATERIAL TYPE A, 6"	PROCESSING MODIFIED SOIL 12"	LIME
STATION	TO	SQ YD	SQ YD	SQ YD	SQ YD	TON
132+83.92	TO	138+37.77	800	800	800	16

