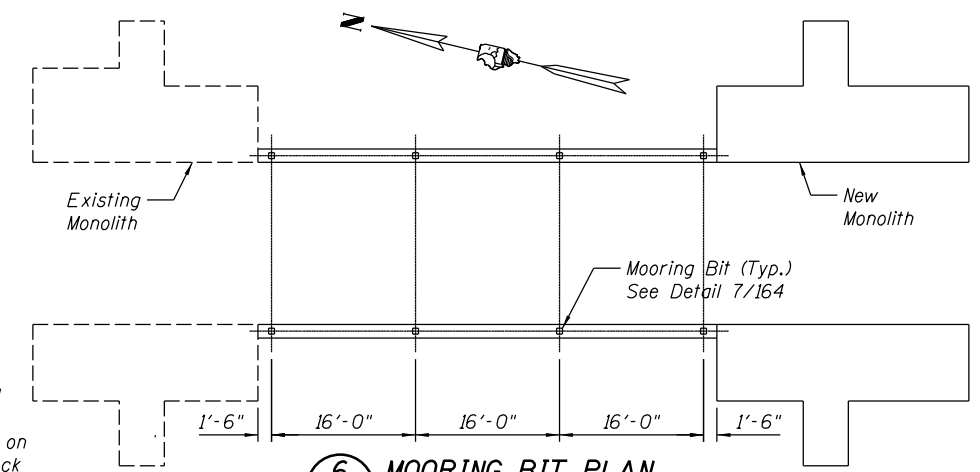


1 SECTION AT LOCK CHAMBER WALL
164

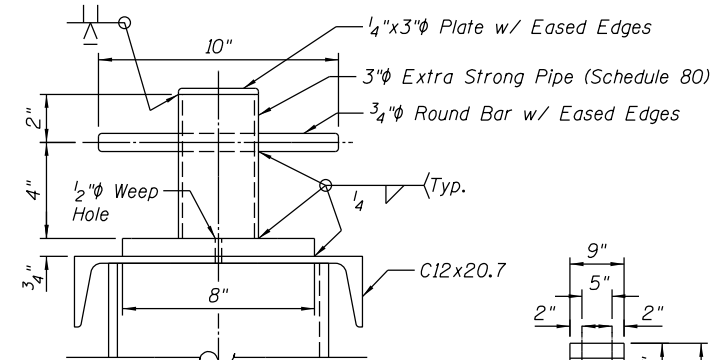
Lock Wall Staging Notes:

During construction of the lock chamber walls:
The ground line on the exterior side of the diffuser basin shall not exceed Elevation 722.2 until the diffuser basin floor slab has reached design strength.
The ground line on the exterior side of the lock chamber wall shall not exceed Elevation 724.7 until the lock chamber floor has reached design strength.

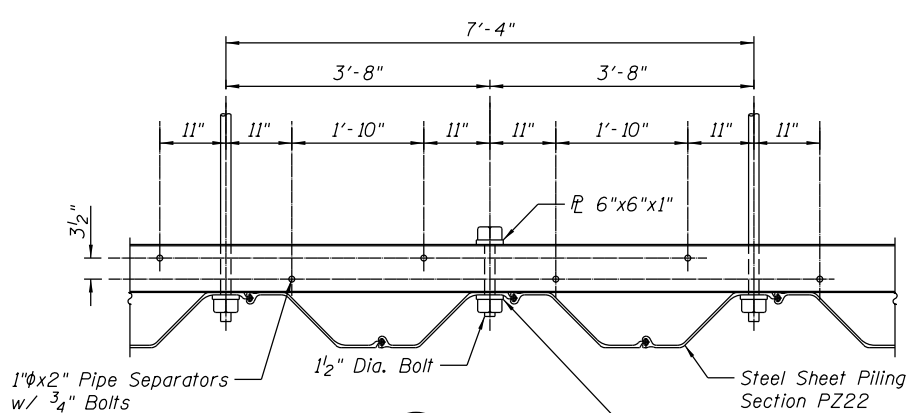
The lock chamber walls may be left in a partially completed state during the navigation season if all of the following are satisfied.
Water levels on both sides of the sheet pile are passively equalized without intervention by the contractor.
Ground line is equal on both sides of the sheet pile or ground line on exterior side is not more than 2.5 feet above top of completed lock chamber floor.



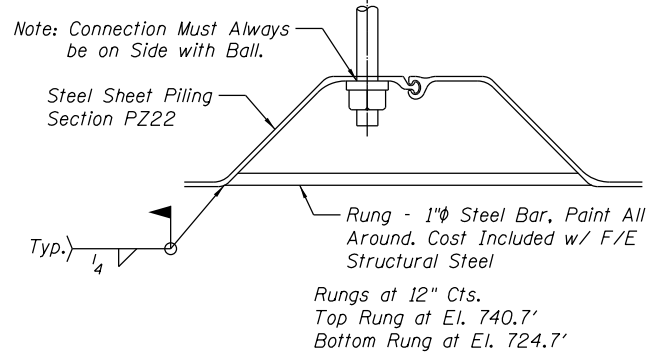
6 MOORING BIT PLAN
164



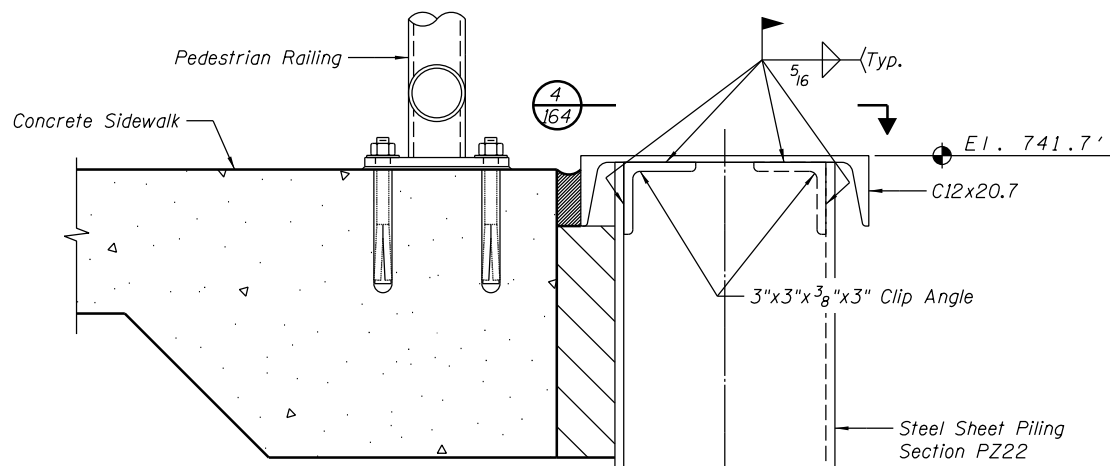
7 MOORING BIT DETAILS
164



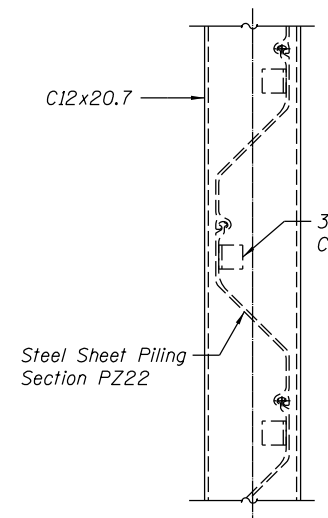
2 SECTION
164



5 LADDER DETAIL
164



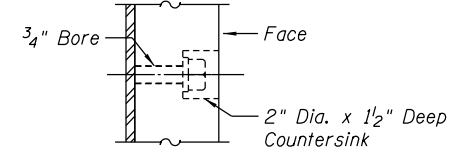
3 DETAIL
164



4 SECTION
164

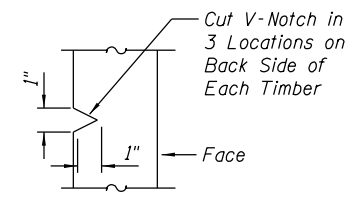
Red Oak Timbers Shall be Commercial Grade No. 3 or Better per the Design Values for Wood Construction, by the National Forest Products Association.

Note: Treated Timber Bumper Shall Be Attached Using 5/8\"/>

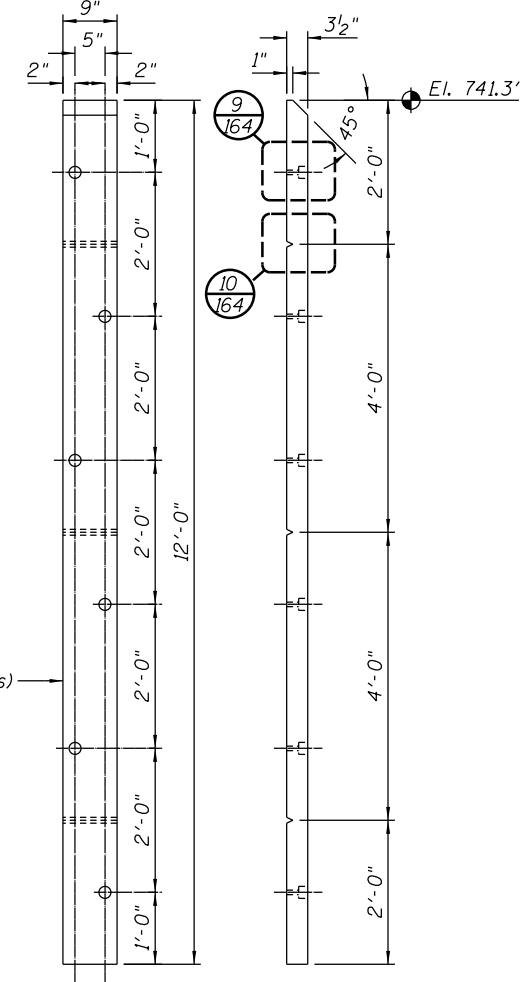


9 ATTACHMENT DETAIL
164

31 Required (Including 3 Spares) Timbers Shall be Red Oak Treated per Specifications



10 V-NOTCH DETAIL
164



8 BUMPER TIMBER DETAILS
164

FILE NAME = S-5001-LOCK	USER NAME =	DESIGNED - RGC	REVISED - 2/21/2014 EJM
		CHECKED - DDO	REVISED -
	PLOT SCALE =	DRAWN - EJM	REVISED -
	PLOT DATE = SEPTEMBER 18, 2013	CHECKED - RGC	REVISED -

STATE OF ILLINOIS
DEPARTMENT OF NATURAL RESOURCES

LOCK CHAMBER WALL DETAILS
STRATTON LOCK & DAM - LOCK & GATE STRUCTURE IMPROVEMENTS

ILLINOIS DEPARTMENT
OF NATURAL RESOURCES
OFFICE OF WATER RESOURCES

COUNTY	TOTAL SHEETS	SHEET NO.
McHENRY	238	164
PROJECT FR-435		