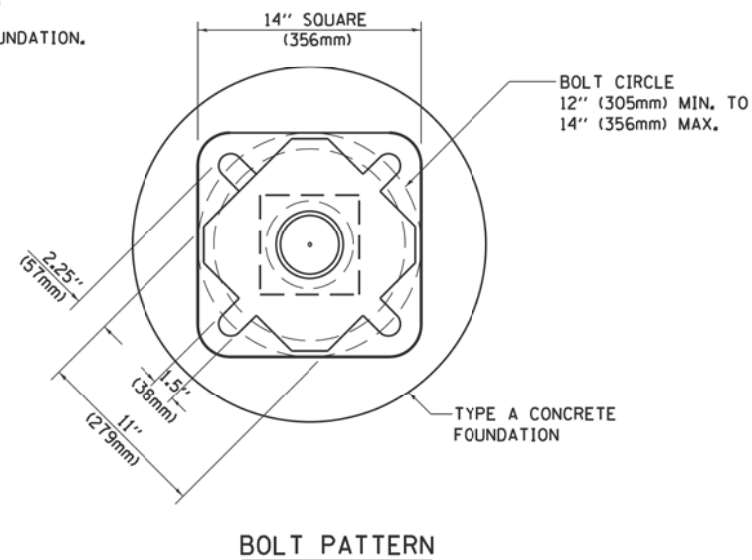


SIGN TABLE

| SIGN   | DIMENSIONS               |
|--------|--------------------------|
| R10-3b | 9" (228mm) X 12" (305mm) |
| R10-3d | 9" (228mm) X 12" (305mm) |
| R10-3e | 9" (228mm) X 15" (381mm) |



|  |                               |                  |           |
|--|-------------------------------|------------------|-----------|
| FILE NAME =                                | USER NAME = lcyso             | DESIGNED - DAG   | REVISED - |
| ct:\pw\work\p\idot\lcyso\d0108315\ts09.dwg |                               | DRAWN - GND      | REVISED - |
|  | PLOT SCALE = 100.0000' / 1" = | CHECKED - DAD    | REVISED - |
|  | PLOT DATE = 10/5/2012         | DATE - 10/1/2012 | REVISED - |

STATE OF ILLINOIS  
DEPARTMENT OF TRANSPORTATION

|                                     |                     |        |              |
|-------------------------------------|---------------------|--------|--------------|
| DISTRICT 1                          |                     |        |              |
| PEDESTRIAN PUSH BUTTON POST, TYPE A |                     |        |              |
| SCALE: NONE                         | SHEET NO. + 7 OF 21 | SHEETS | STA. TO STA. |

|   |          |        |              |           |
|---|----------|--------|--------------|-----------|
| F.A.P. RTE.   | SECTION  | COUNTY | TOTAL SHEETS | SHEET NO. |
| 307   | 541Y-3-B | COOK   | 143          | 47        |
| TS-09   |          |        | CONTRACT NO. |           |
| FED. ROAD DIST. NO. 1   ILLINOIS   FED. AID PROJECT |          |        |              |           |