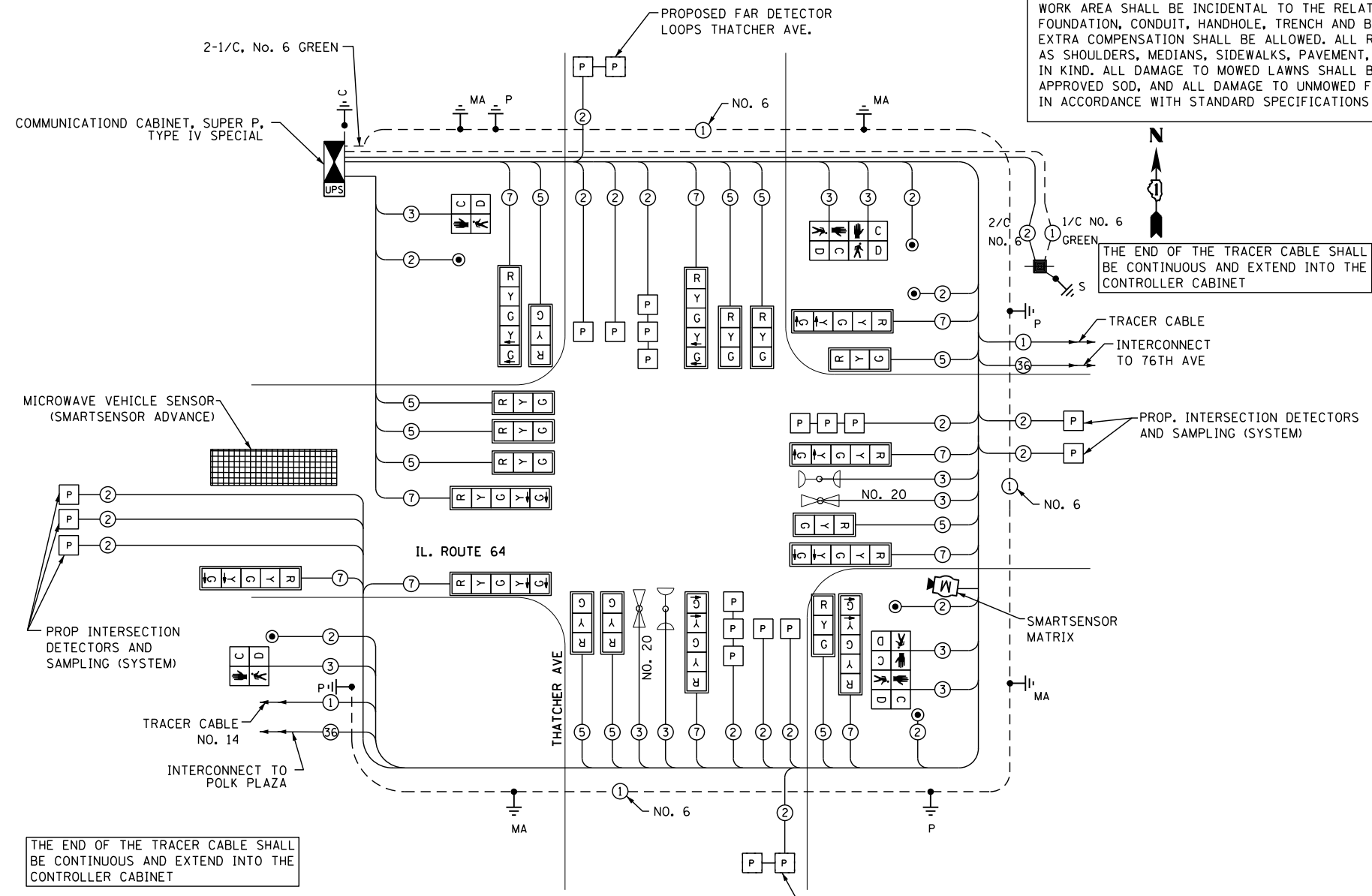


SCHEDULE OF QUANTITIES

ITEM	UNIT	QTY.
SIGN PANEL TYPE I	SO FT	18
SIGN PANEL TYPE II	SO FT	22.5
REMOVE SIGN PANEL TYPE I	SO FT	40.5
MICROWAVE VEHICLE SENSOR (SMARTSENSOR ADVANCE)	EACH	1
SERVICE INSTALLATION POLE MOUNTED	EACH	1
UNDERGROUND CONDUIT, GALVANIZED STEEL 2 IN DIA	FOOT	1730
UNDERGROUND CONDUIT, GALVANIZED STEEL 2 1/2 IN DIA	FOOT	42
UNDERGROUND CONDUIT, GALVANIZED STEEL 3 IN DIA	FOOT	60
UNDERGROUND CONDUIT, GALVANIZED STEEL 4 IN DIA	FOOT	438
CONDUIT ATTACHED TO STRUCTURE 2IN DIA GALVANIZED STEEL	FOOT	384
CONDUIT EMBEDDED IN STRUCTURE 2IN DIA PVC	FOOT	92
HANDHOLE	EACH	8
HEAVY-DUTY HANDHOLE	EACH	4
DOUBLE HANDHOLE	EACH	2
UNINTERRUPTABLE POWER SUPPLY SPECIAL	EACH	1
ELECTRIC CABLE IN CONDUIT, SIGNAL NO. 14 2C	FOOT	1180
ELECTRIC CABLE IN CONDUIT, SIGNAL NO. 14 3C	FOOT	1900
ELECTRIC CABLE IN CONDUIT, SIGNAL NO. 14 5C	FOOT	2058
ELECTRIC CABLE IN CONDUIT, SIGNAL NO. 17 7C	FOOT	2514
ELECTRIC CABLE IN CONDUIT, LEAD-IN NO. 14 1 PAIR	FOOT	4014
ELECTRIC CABLE IN CONDUIT, SERVICE NO. 6 2C	FOOT	98
STEEL COMB. MAST ARM ASSEMBLY AND POLE W/DUAL MAST ARMS, 48' & 30'	EACH	1
STEEL MAST ARM ASSEMBLY AND POLE WITH DUAL MAST ARMS, 34' & 30'	EACH	1
STEEL MAST ARM ASSEMBLY AND POLE WITH DUAL MAST ARMS, 20' & 55'	EACH	1
STEEL MAST ARM ASSEMBLY AND POLE WITH DUAL MAST ARMS, 18' & 34'	EACH	1
CONCRETE FOUNDATION TYPE A	FOOT	8
CONCRETE FOUNDATION TYPE C	FOOT	4
CONCRETE FOUNDATION TYPE E 36-INCH DIAMETER	FOOT	54
SIGNAL HEAD LED 1-FACE, 3-SECTION, MAST ARM MOUNTED	EACH	11
SIGNAL HEAD LED 1-FACE, 5-SECTION, MAST ARM MOUNTED	EACH	10
PED. SIGNAL HEAD, LED 1-FACE, BRACKET MOUNTED W/COUNTDOWN TIMER	EACH	2
PED. SIGNAL HEAD, LED 2-FACE, BRACKET MOUNTED W/COUNTDOWN TIMER	EACH	2
TRAFFIC SIGNAL BACKPLATE, LOUVERED ALUMINUM	EACH	21
PERFORMED DETECTOR LOOP	FOOT	798
PEDESTRIAN PUSH BUTTON	EACH	6
PEDESTRIAN PUSH BUTTON POST TYPE A	EACH	2
TEMPORARY TRAFFIC SIGNAL INSTALLATION	EACH	1
RELOCATE EXISTING EMERGENCY VEHICLE PRIORITY SYSTEM DETECTOR UNIT	EACH	2
RELOCATE EXISTING FLASHING BEACON	EACH	2
REMOVE EXISTING TRAFFIC SIGNAL EQUIPMENT	EACH	1
REMOVE EXISTING HANDHOLE	EACH	10
REMOVE EXISTING DOUBLE HANDHOLE	EACH	2
REMOVE EXISTING CONCRETE FOUNDATION	EACH	8
FULL-ACTUATED CONTROLLER AND TYPE IV CABINET, SPECIAL	EACH	1
TEMPORARY TRAFFIC SIGNAL TIMING	EACH	1
RE-OPTIMIZE TRAFFIC SIGNAL SYSTEM LEVEL 2	EACH	1
TRANSCIVER - FIBER OPTIC	EACH	3
BRIDGE MOUNTED PEDESTRIAN SIGNAL POST	EACH	1
JUNCTION BOX EMBEDDED IN STR 14INx16INx6IN	EACH	2
MAINTENANCE OF EXISTING TRAFFIC SIGNAL INSTALLATION	EACH	2
DRILL EXISTING HANDHOLE	EACH	2
FIBER OPTIC CABLE IN CONDUIT, NO. 62.5/125 MM12F SM24F	FOOT	5265
ELECTRIC CABLE IN CONDUIT, TRACER NO. 141C	FOOT	5265
EMERGENCY VEHICLE PRIORITY SYSTEM LINE SENSOR CABLE, NO. 20 3/C	FOOT	705
REMOVE ELECTRIC CABLE FROM CONDUIT	FOOT	5102
ELECTRIC CABLE IN CONDUIT, EQUIPMENT GROUNDING CONDUCTOR NO. 6 1C	FOOT	2546
REBUILD EXISTING HANDHOLE TO HEAVY-DUTY HANDHOLE	EACH	3
HANDHOLE TO BE ADJUSTED	EACH	3

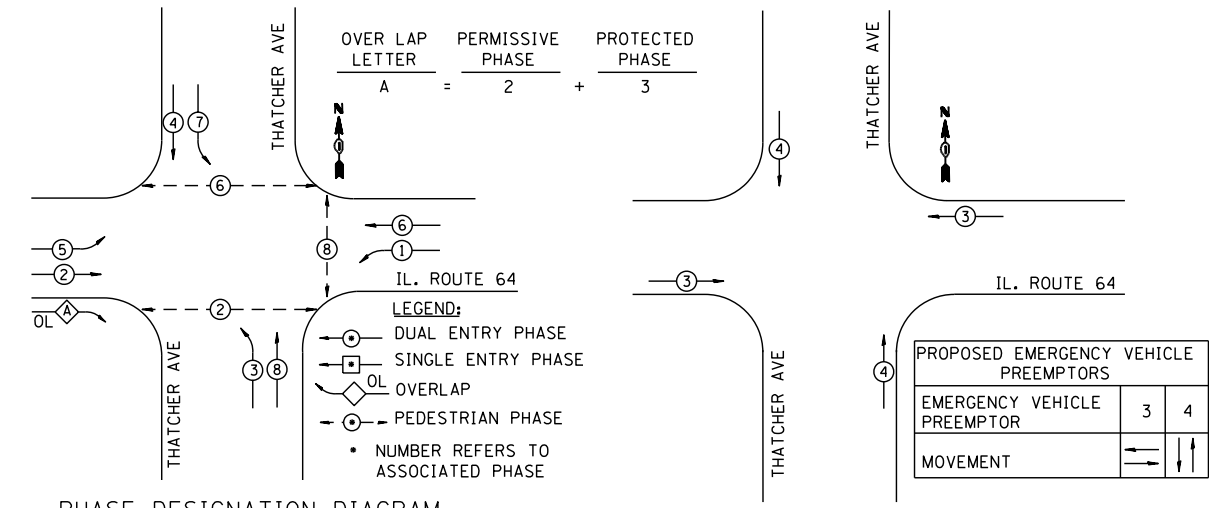
RESTORATION OF WORK AREA, RESTORATION OF THE TRAFFIC SIGNAL WORK AREA SHALL BE INCIDENTAL TO THE RELATED PAY ITEM SUCH AS FOUNDATION, CONDUIT, HANDHOLE, TRENCH AND BACKFILL, ETC., AND NO EXTRA COMPENSATION SHALL BE ALLOWED. ALL ROADWAY SURFACES SUCH AS SHOULDERS, MEDIANS, SIDEWALKS, PAVEMENT, ETC. SHALL BE REPLACED IN KIND. ALL DAMAGE TO MOWED LAWNS SHALL BE REPLACED WITH AN APPROVED SOD, AND ALL DAMAGE TO UNMOWED FIELDS SHALL BE SEEDED IN ACCORDANCE WITH STANDARD SPECIFICATIONS 252 AND 250 RESPECTIVELY.



CABLE PLAN  
NOT TO SCALE

CONTROLLER SEQUENCE

EMERGENCY VEHICLE PREEMPTION SEQUENCE



PHASE DESIGNATION DIAGRAM

I.D.O.T. TRAFFIC SIGNAL INSTALLATION ELECTRICAL SERVICE REQUIREMENTS					TOTAL WATTAGE
TYPE	NO. LAMPS	WATTAGE INCAND	LED	% OPERATION	
SIGNAL (RED)	21		17	0.50	178.5
(YELLOW)	21		25	0.25	131.25
(GREEN)	21		15	0.25	78.75
ARROW	20		12	0.10	24
PED. SIGNAL	6		25	1.00	150
CONTROLLER	1		100	1.00	100
ILLUM. SIGN			25	0.05	
VIDEO SYSTEM	1		100	1.00	100
FLASHER			25	0.50	
TOTAL =					762.5

ENERGY COST TO: Illinois Department of Transportation  
Division of Highways / District 1  
201 W Center Court / Schaumburg, Illinois 60196-1096

ENERGY SUPPLY: CONTACT: MR. FERNANDO FLOREZ  
PHONE: 708-410-5313  
COMPANY: ComEd



DESIGNED - MTC	REVISED -
DRAWN - MTC	REVISED -
CHECKED - JIP	REVISED -
DATE - 12/20/2013	REVISED -

STATE OF ILLINOIS  
DEPARTMENT OF TRANSPORTATION

IL ROUTE 64 (NORTH AVE) OVER THE DES PLAINES RIVER  
CABLE PLAN, PHASE DESIGNATION DIAGRAM  
AND EMERGENCY VEHICLE PREEMPTION SEQUENCE

SCALE: NONE SHEET NO. 12 OF 21 SHEETS STA. TO STA.

F.A.P. RTE.	SECTION	COUNTY	TOTAL SHEETS	SHEET NO.
307	541Y-3-B	COOK	143	52
CONTRACT NO. 60J11				

ILLINOIS FED. AID PROJECT