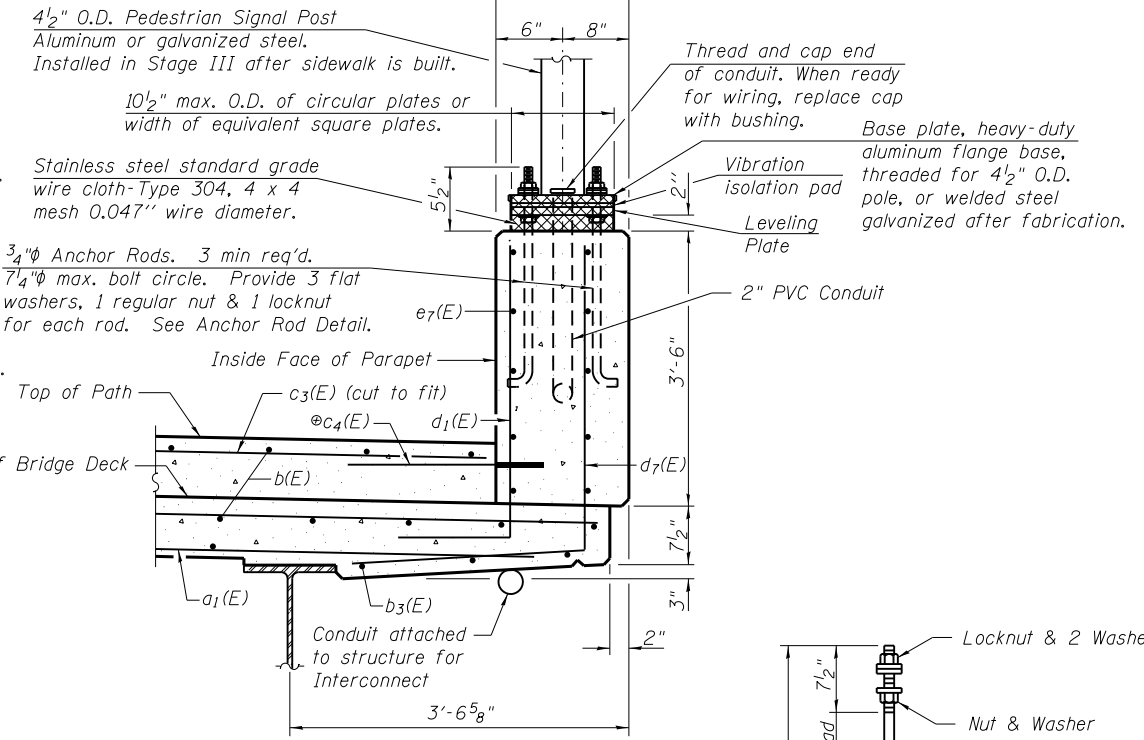


**SOUTHEAST PATH DETAIL**  
(For deck treatment during Stage I, see Sheet 22 of 62)

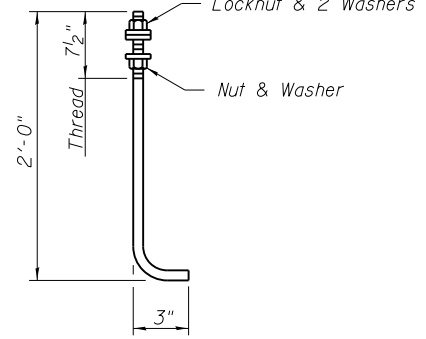
\*\*\*Install c<sub>3</sub>(E) and b(E) bars to bottom of ramp. Adjust or cut at bottom of ramp as required to provide clearance for detectable warning plate supplied. Cut c<sub>3</sub>(E) bars and bend b(E) bars to fit ramp.



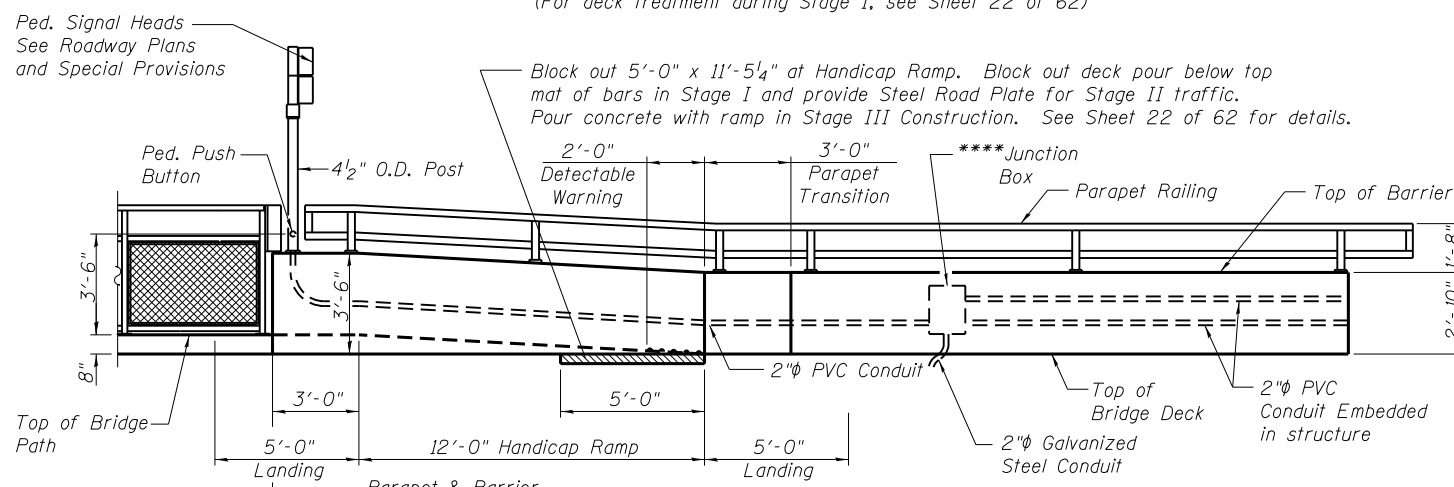
**SECTION C-C**

⊙Drill and set bars according to Article 509.06 of the Standard Specifications. Drilled holes shall be roughened or scored per manufacturer's recommendations. Maximum depth of hole shall not exceed 6". Cost included with Concrete Superstructure.

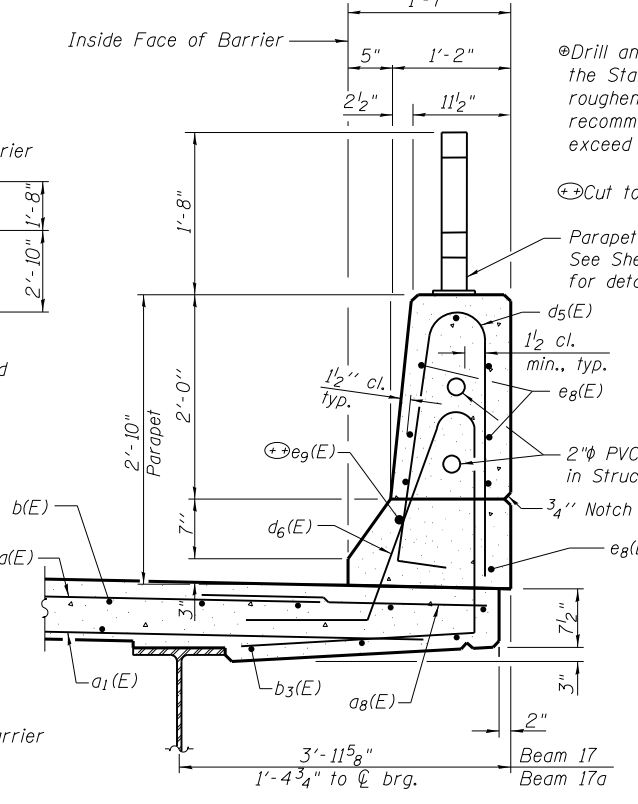
⊙Cut to fit at Beam 17a.



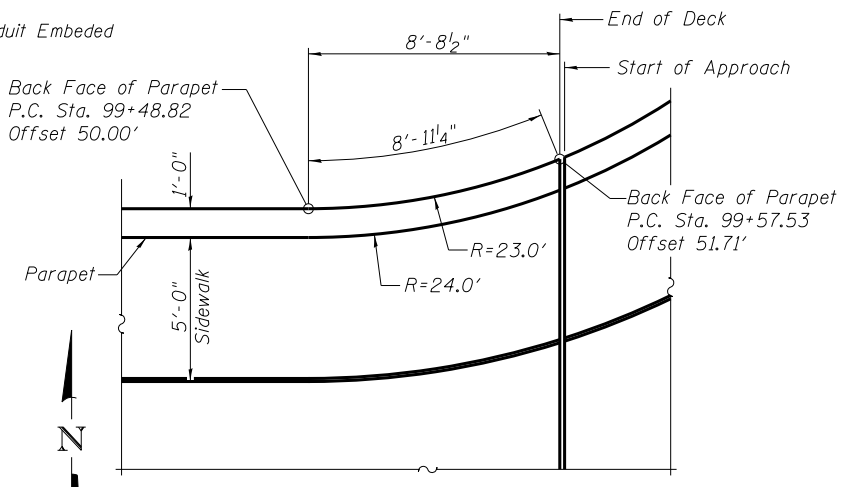
**ANCHOR ROD**  
Diameter as specified.  
(ASTM F 1554 Grade 105)  
Full length hot dipped galvanized



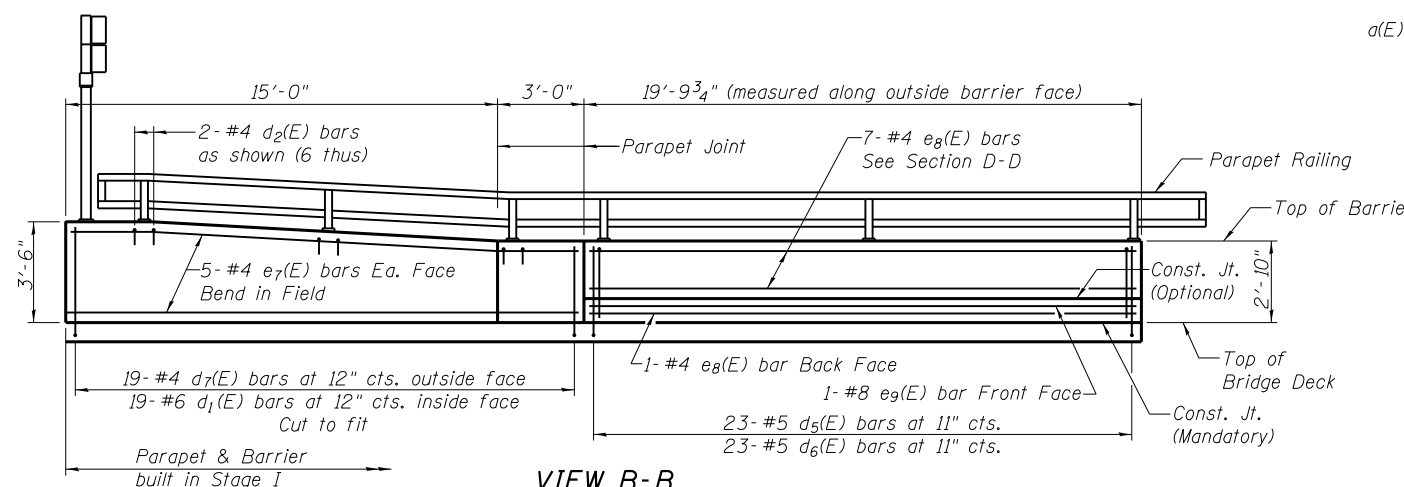
**VIEW B-B**  
(Showing Dimensions)



**SECTION D-D**



**NORTHEAST SIDEWALK DETAIL**



**VIEW B-B**  
(Showing Barrier Reinforcement)

FILE NAME = W:\191-130-1001-11641-CADD-Sheets\Structure\11660111-11660111-16\_SupStrPlanDet.dgn



|                       |               |         |
|-----------------------|---------------|---------|
| USER NAME =           | DESIGNED - HP | REVISED |
| PLOT SCALE =          | CHECKED - MTH | REVISED |
| PLOT DATE = 8/15/2013 | DRAWN - AJF   | REVISED |
|                       | CHECKED - MTH | REVISED |

STATE OF ILLINOIS  
DEPARTMENT OF TRANSPORTATION

SUPERSTRUCTURE PLAN DETAILS  
STRUCTURE NO. 016-3035

SHEET NO. 19 OF 62 SHEETS

|                           |          |        |              |           |
|---------------------------|----------|--------|--------------|-----------|
| F.A.P. RTE.               | SECTION  | COUNTY | TOTAL SHEETS | SHEET NO. |
| 307                       | 541Y-3-B | COOK   | 143          | 80        |
| CONTRACT NO. 60J11        |          |        |              |           |
| ILLINOIS FED. AID PROJECT |          |        |              |           |