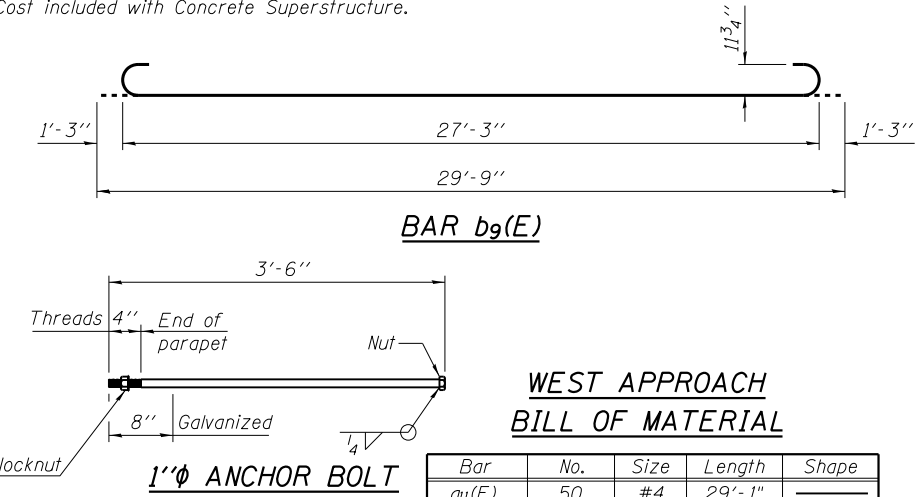
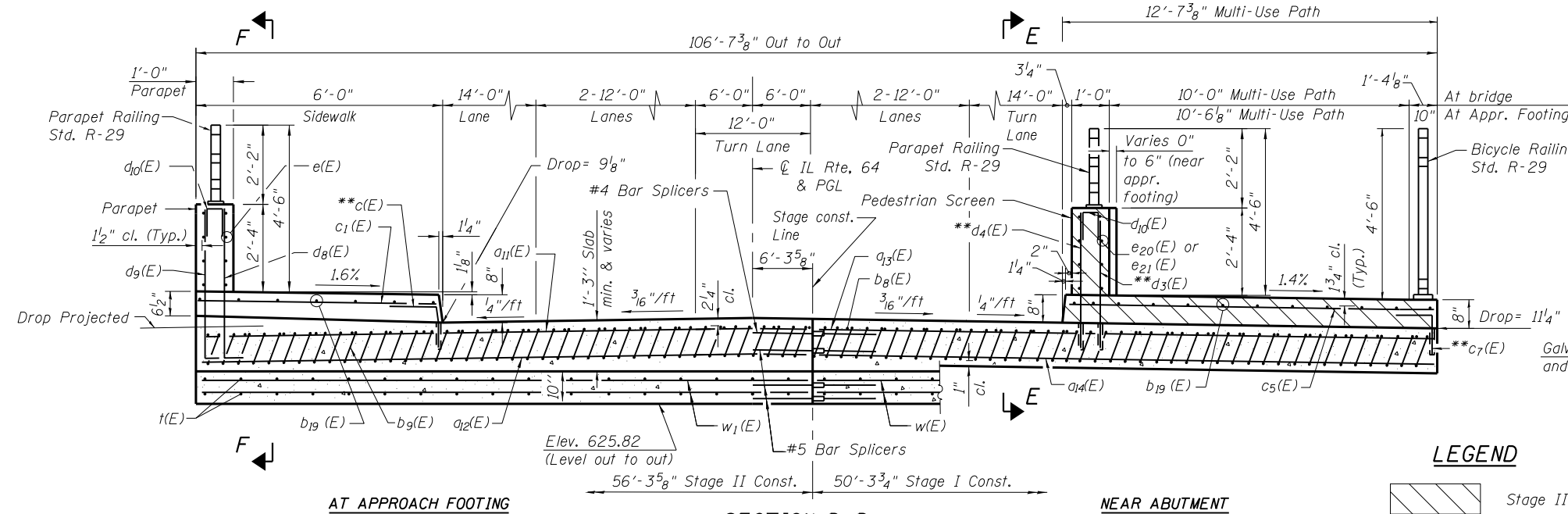


Notes:
 See sheet 23 of 62 for Detail A, View B-B and off-bridge wood post and railing details. Approach slab, sidewalk and parapet concrete shall be paid for as Concrete Superstructure. Approach footing concrete shall be paid for as Concrete Structures. Reinforcement shall be paid for as Reinforcement Bars, Epoxy Coated. For v6(E) bar details, see sheets 37 thru 39 of 62. The approach footing maximum applied service bearing pressure (Qmax) = 2.0 ksf. Cost of excavation for approach footing included with Concrete Structures. For bar splicer details, see sheet 53 of 62. For Granular backfill for structures and drainage treatment details, see sheet 3 of 62. See Sheet 21 of 62 for Parapet Joint Details.

* Tilt #9 b9(E) bars as required to maintain clearance.

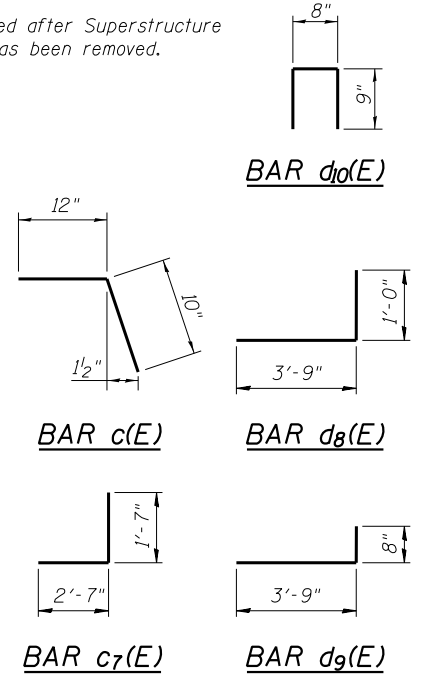
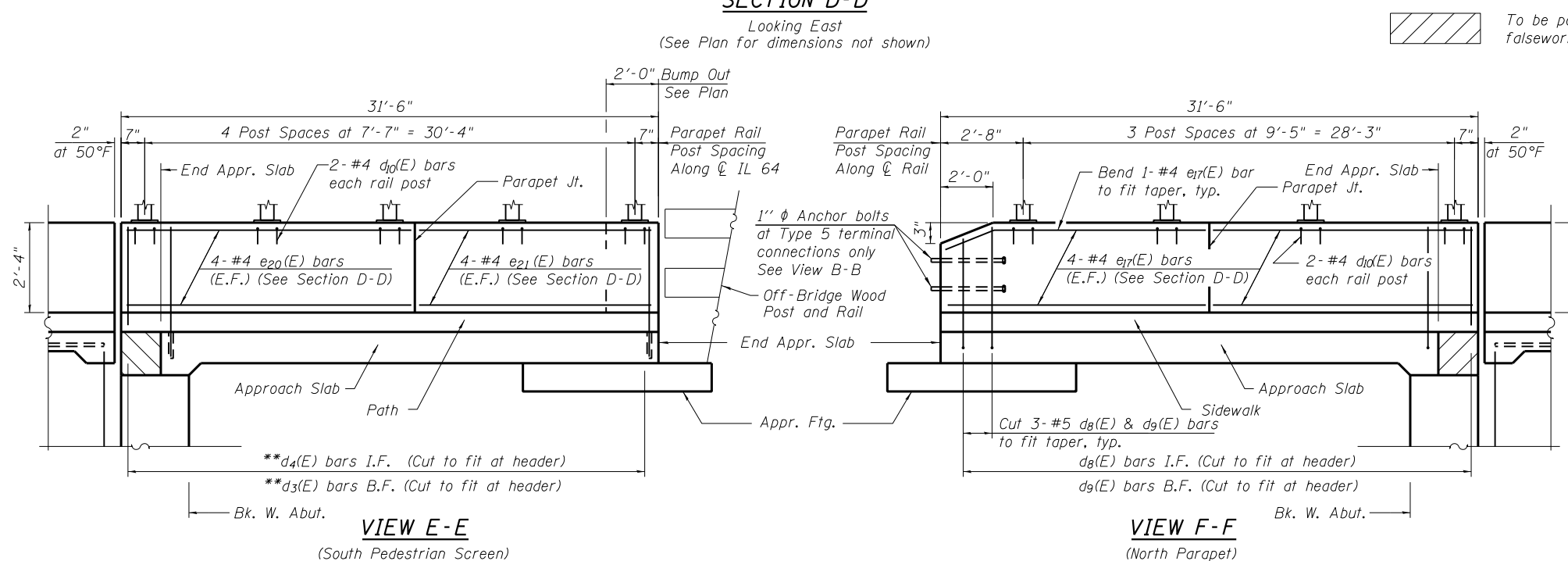
** Drill and set bars according to Article 509.06 of the Standard Specifications. Drilled holes shall be roughened or scored per manufacturer's recommendations. Cost included with Concrete Superstructure.

*** Cost included with Concrete Superstructure.



LEGEND

- Stage III Const.
- To be poured after Superstructure falsework has been removed.



Bar	No.	Size	Length	Shape
a1(E)	50	#4	29'-1"	—
a2(E)	92	#5	29'-4"	—
a3(E)	50	#4	26'-1"	—
a4(E)	92	#5	26'-4"	—
b8(E)	87	#4	29'-8"	—
b9(E)	256	#9	29'-9"	—
b19(E)	21	#4	31'-2"	—
c(E)	33	#5	1'-10"	┌
c1(E)	33	#5	5'-7"	—
c5(E)	33	#5	12'-2"	—
c7(E)	33	#5	4'-2"	└
d3(E)	33	#4	3'-4"	—
d4(E)	33	#6	3'-4"	—
d8(E)	33	#6	4'-9"	┌
d9(E)	33	#4	4'-5"	┌
d10(E)	18	#4	2'-2"	┌
e17(E)	16	#4	15'-5"	—
e20(E)	8	#4	16'-2"	—
e21(E)	8	#4	14'-8"	—
t(E)	216	#4	9'-8"	—
w(E)	80	#5	26'-4"	—
w1(E)	80	#5	29'-4"	—
Concrete Superstructure		Cu. Yd.	206.9	
Concrete Structures		Cu. Yd.	32.9	
Reinforcement Bars, Epoxy Coated		Pound	43,030	
Protective Coat		Sq. Yd.	395	
Bridge Deck Grooving		Sq. Yd.	284	

FILE NAME = W:\191-130-100T-IL64\CADD_Sheets\Structure\1166011-11-20_WestApproachSlabDet.dgn

Bollinger, Lach & Associates, Inc.
 ITASCA, ILLINOIS

USER NAME =	DESIGNED - JMT	REVISED
PLOT SCALE =	CHECKED - JJI	REVISED
PLOT DATE = 8/16/2013	DRAWN - GM	REVISED
	CHECKED - JJI	REVISED

STATE OF ILLINOIS
DEPARTMENT OF TRANSPORTATION

WEST BRIDGE APPROACH SLAB DETAILS
STRUCTURE NO. 016-3035

F.A.P. RTE. 307	SECTION 541Y-3-B	COUNTY COOK	TOTAL SHEETS 143	SHEET NO. 85
CONTRACT NO. 60J11				
ILLINOIS FED. AID PROJECT				

(Sheet 2 of 2)