

**BEARING SEAT ELEVATIONS**

**STAGE II**

Beam No.	℄ Brg.
1	624.72
2	624.86
3	624.98
4	625.10
5	625.20
6	625.29
7	625.39
8	625.49
9	625.49
10	625.39

**MINIMUM BAR LAP**

- #5 bars = 2'-3"
- #6 bars = 2'-8"
- #7 bars = 4'-8"

**PILE DATA - STAGE II**

Type: HP 12x53 with Pile Shoes  
 Nominal Required Bearing: 292 kips  
 Factored Resistance Available: 161 kips  
 Est. Length: 35'  
 No. Production Piles: 15  
 No. Test Piles: 0



**Notes:**

See Sheet 30 of 62 for Expansion joint details.

See Sheet 52 of 62 for details of piles and Concrete Encasement.

Hatched area to be poured after Superstructure falsework has been removed. Concrete quantity is included with Concrete Superstructure.

Pour steps monolithically with cap.

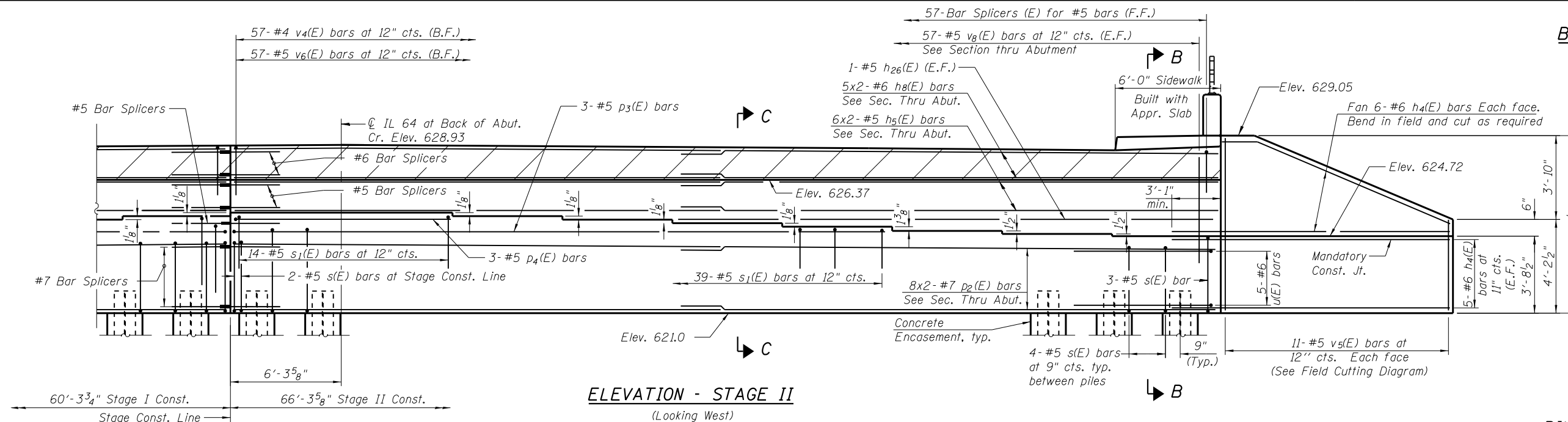
Space reinforcement to miss anchor bolts.

See Sheet 39 of 62 for anchor bolt layout and Section Thru Abutment.

F.F. denotes Front Face.

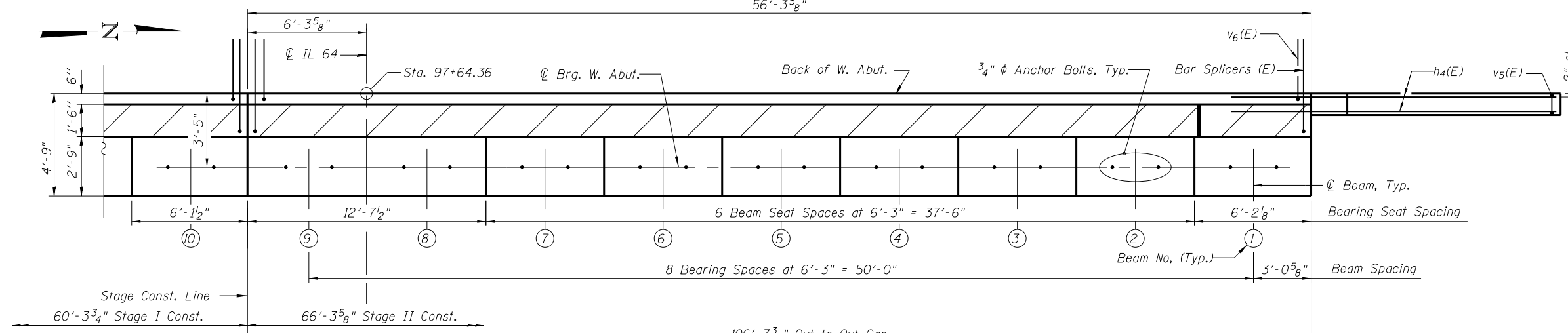
B.F. denotes Back Face.

E.F. denotes Each Face.

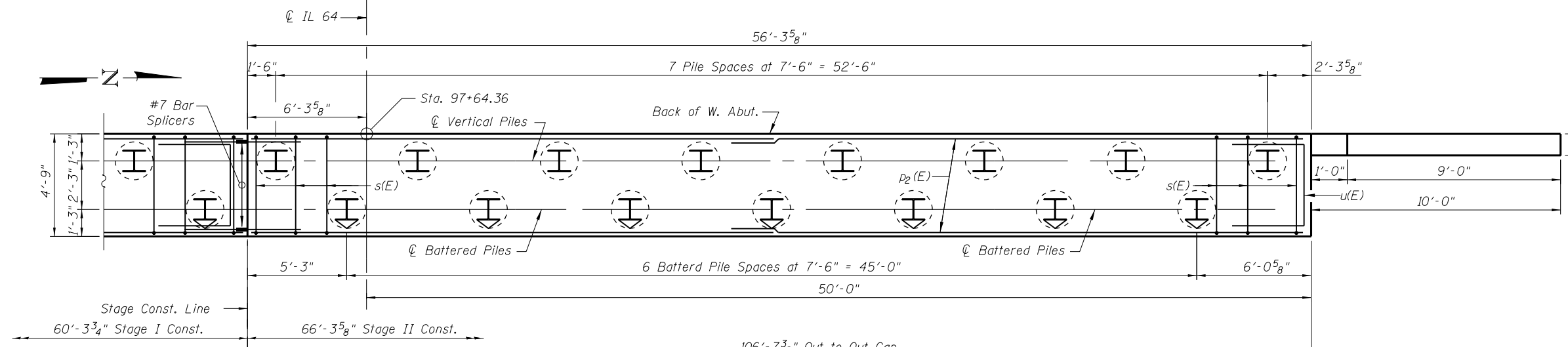


**ELEVATION - STAGE II**

(Looking West)



**TOP VIEW - STAGE II**



**PLAN-PILE CAP - STAGE II**

FILE NAME = W:\191-130-100T-IL64\CADD\_Sheets\Structure\1166011-11-31a.W abut.dgn

**Bollinger, Lach & Associates, Inc.**  
 ITASCA, ILLINOIS

USER NAME =	DESIGNED - JMT	REVISED
PLOT SCALE =	CHECKED - JJI	REVISED
PLOT DATE = 8/16/2013	DRAWN - GM	REVISED
	CHECKED - JJI	REVISED

**STATE OF ILLINOIS  
 DEPARTMENT OF TRANSPORTATION**

**WEST ABUTMENT - STAGE II  
 STRUCTURE NO. 016-3035**

SHEET NO. 38 OF 62 SHEETS

F.A.P. RTE.	SECTION	COUNTY	TOTAL SHEETS	SHEET NO.
307	541Y-3-B	COOK	143	99
CONTRACT NO. 60J11				
ILLINOIS FED. AID PROJECT				