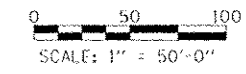
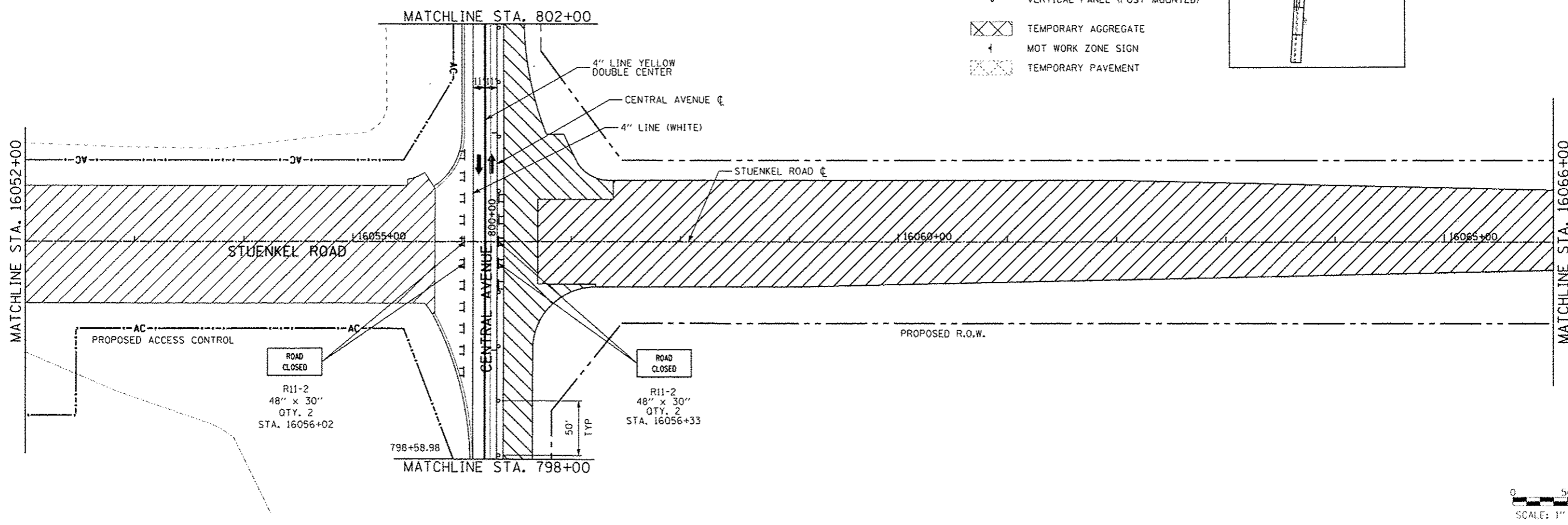
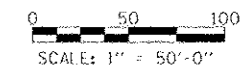
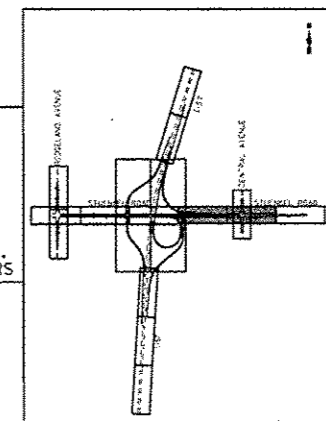


NOTES:

1. SEE STUENKEL ROAD MAINTENANCE OF TRAFFIC - DETOUR PLAN FOR ADVANCED SIGNING.
2. THE EXISTING R.O.W. IS NOT DEPICTED WITHIN THE PROJECT LIMITS FOR CLARITY.

LEGEND:

- TRAFFIC MOVEMENT
- WORK ZONE
- BARRICADE, TYPE III
- VERTICAL BARRICADE WITH BI-DIRECTIONAL STEADY-BURNING LIGHT, 50' C-C IN TANGENTS, 20' IN TAPERS
- VERTICAL PANEL (POST MOUNTED)
- TEMPORARY AGGREGATE
- MOT WORK ZONE SIGN
- TEMPORARY PAVEMENT



TYLIN INTERNATIONAL	USER NAME	DESIGNED - JTP	REVISED - 12/04/2013	STATE OF ILLINOIS DEPARTMENT OF TRANSPORTATION	STUENKEL ROAD AT I-57 RIDGELAND AVENUE TO CENTRAL AVENUE MAINTENANCE OF TRAFFIC STAGE 2B - STUENKEL ROAD			F.A. RTE.	SECTION	COUNTY	TOTAL SHEETS	SHEET NO.
	PLT. SCALE	DRAWN - JTP	REVISED -					57	99-IHB-R1	WILL	679	117
	PLT. DATE	CHECKED - JPM	REVISED -					CONTRACT NO. 60L69				
		DATE - 05/10/2013	REVISED -					ILLINOIS FED. AID PROJECT				
SCALE: 1" = 50' SHEET 1 OF 4 SHEETS STA. 16038+00 TO STA. 16066+00												

\\s0201201-57 @ 5:50am 1/1/2013 10:30:43 AM