

**GENERAL NOTES:**

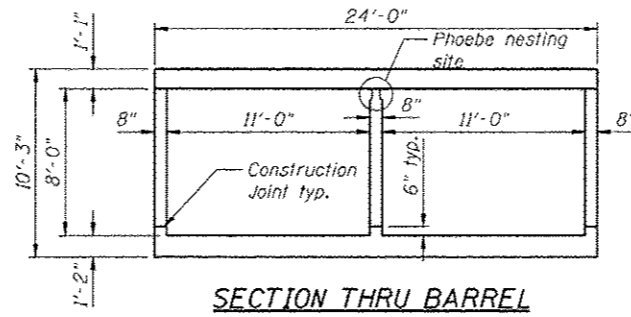
Reinforcement Bars designated (E) shall be epoxy coated.

For backfilling and embankment, see Standard Specifications.

Layout of stone riprap may be varied in the field to suit ground conditions as directed by the engineer.

Excavation required for construction of the culvert as shown in these plans and in accordance with the Standard Specifications shall be included in the cost of Concrete Box Culverts. Excavation for Soldier Pile walls shall be paid for as "Structure Excavation".

The Contractor is responsible for the design and performance of the lagging using no less than 3 in nominal rough-sawn thickness and timber with a minimum allowable bending stress of 1000 psi.



STATION 16044+26.91  
 BUILT 20... BY  
 STATE OF ILLINOIS  
 F.A.I. 57 SEC. 99-1HB-R1  
 LOADING HL-93  
 STR. NO. 099-0610

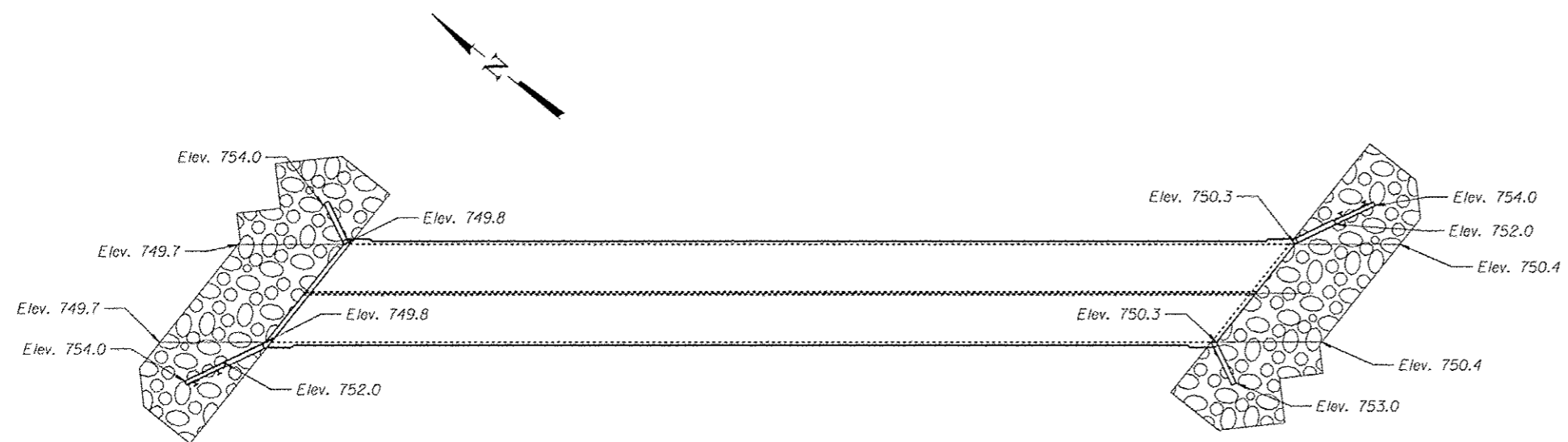
**NAME PLATE**  
 (See Hwy. Std. 515001)

**TOTAL BILL OF MATERIAL**

Item	Unit	Total
Stone Rip Rap, Class A4	Sq Yd	312
Filter Fabric	Sq Yd	312
Removal of Existing Structures No. 1	Each	1
Structure Excavation	Each	20
Concrete Structures	Cu Yd	6.5
Stud Shear Connectors	Each	58
Reinforcement Bars	Pound	135,920
Reinforcement Bars, Epoxy Coated	Pound	1,100
Name Plates	Each	1
Concrete Box Culverts	Cu Yd	593.5
Geocomposite Wall Drain	Sq Yd	4
Driving Soldier Piles	Foot	96
Permanent Steel Sheet Piling	Sq Ft	379
Untreated Timber Lagging	Sq Ft	138
Furnishing Soldier Piles (HP Section)	Foot	96

**INDEX OF SHEETS**

- SB-1 General Plan and Elevation
- SB-2 General Notes, Index of Sheets & Bill of Material
- SB-3 Culvert Plan and Details
- SB-4 Culvert Plan and Details
- SB-5 Culvert Plan and Details
- SB-6 Culvert Plan and Details
- SB-7 Soldier Pile Wall Details
- SB-8 HP Pile Details
- SB-9 Boring Logs
- SB-10 Boring Logs



**RIPRAP LAYOUT**  
 (Showing Top Riprap Elevations)

FILE NAME = <b>TYLIN INTERNATIONAL</b>	USER NAME =	DESIGNED - SP	REVISION 1/6/2014 S.P.	STATE OF ILLINOIS DEPARTMENT OF TRANSPORTATION	GENERAL NOTES, INDEX OF SHEETS & BILL OF MATERIAL STRUCTURE NO. 099-0610	F.A.I. RTE. = 57	SECTION = 99-1HB-R1	COUNTY = WILL	TOTAL SHEETS = 679	SHEET NO. = 364
	PLOT SCALE =	DRAWN - RH	REVISION			CONTRACT NO. 60L69			ILLINOIS FED. AID PROJECT	
PLOT DATE =				CHECKED - TCG	REVISION				SHEET NO. SB-2 OF SB-10 SHEETS	

Entire Sheet Revised

P:\602620151\_9\_silverlake\structures\structures\current\drawings\structures\60L69