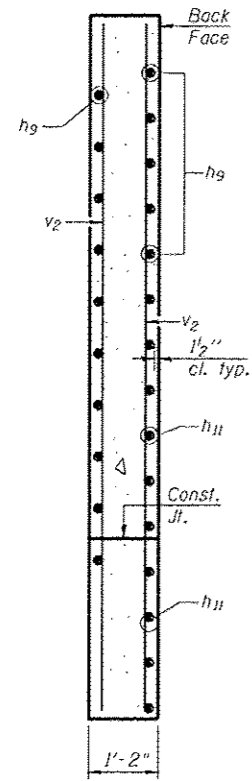
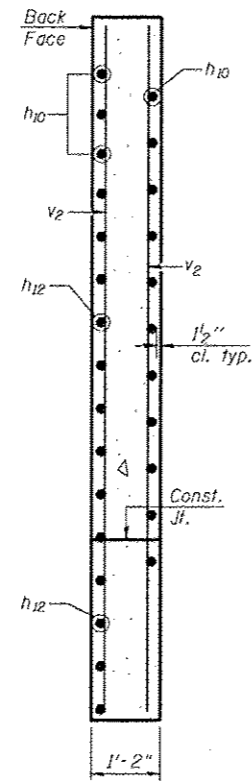


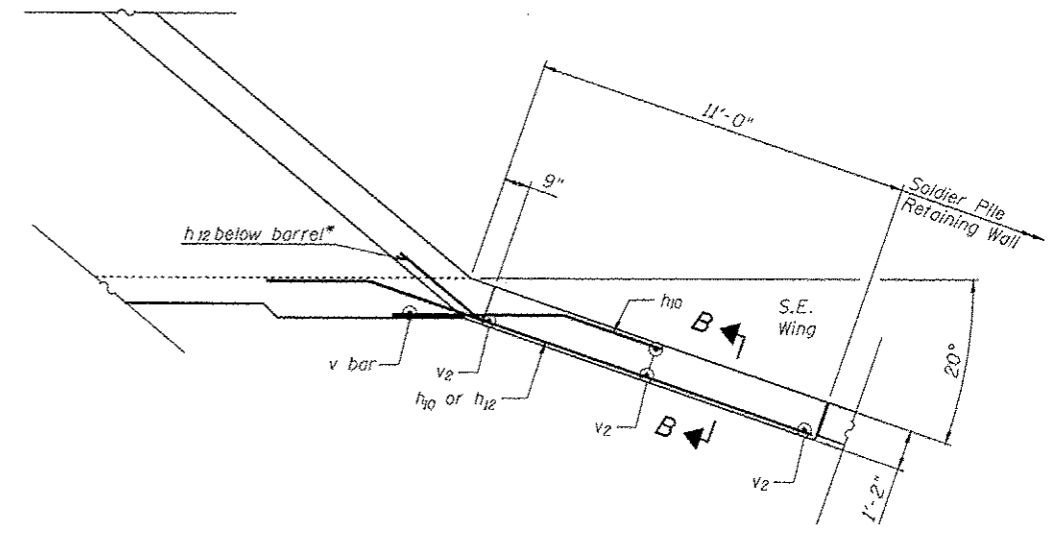
EAST WINGWALL ELEVATION
(Apron not shown)



SECTION A-A



SECTION B-B



EAST WINGWALL PLAN

FILE NAME = TYLIN INTERNATIONAL	USER NAME =	DESIGNED - RL	REVISED Δ 1/6/2014 S.P.	STATE OF ILLINOIS DEPARTMENT OF TRANSPORTATION	CULVERT SECTIONS AND DETAILS - 2 STRUCTURE NO. 099-0608	F.A.I. RTE.	SECTION	COUNTY	TOTAL SHEETS	SHEET NO.	
	PLOT SCALE =	CHECKED - AMD	REVISED			57	99-1MB-R1	WILL	679	378	
	PLOT DATE =	DRAWN - TB/PK	REVISED			CONTRACT NO. 60L69					
		CHECKED - AMD	REVISED			ILLINOIS FED. AID PROJECT					

Δ Entire Sheet Revised

p:\60262171-ST-08-Structural\Structural\3-Interior\cylinder\cylinder\57\barren\drawings\01_P&E\3_Sections_Sheet 4A of 5.dgn 4/3/2014 11:37:20 AM