

Benchmark: BM #1: Railroad Spike set in Power Pole on West Side of Illinois Route 31.
Sta. 286+43.57 Offset 76.96' Lt., Elevation 877.26

Existing Structure: None.

INDEX OF SHEETS

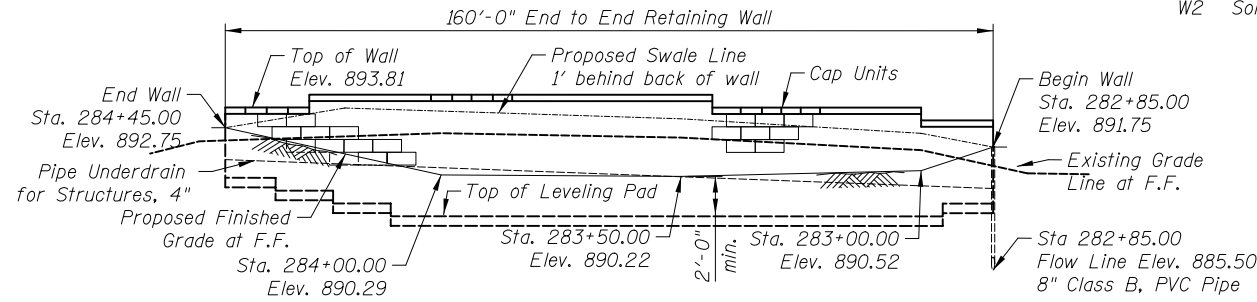
- W1 General Plan and Elevation
- W2 Soil Boring Logs

GENERAL NOTES:

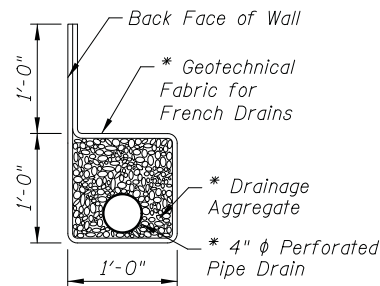
1. Design and installation of Precast Modular Retaining Wall (including need for Soil Reinforcement) to be in accordance with Wall System Manufacturer Design Requirements and Specifications.
2. The blocks are to be Keystone standard units 21 1/2" deep. Units shall be installed according to manufacturers instructions.

TOTAL BILL OF MATERIAL

ITEM	UNIT	TOTAL
Pipe Underdrains for Structures, 4"	Foot	160
Precast Modular Retaining Wall	Sq. Ft.	847

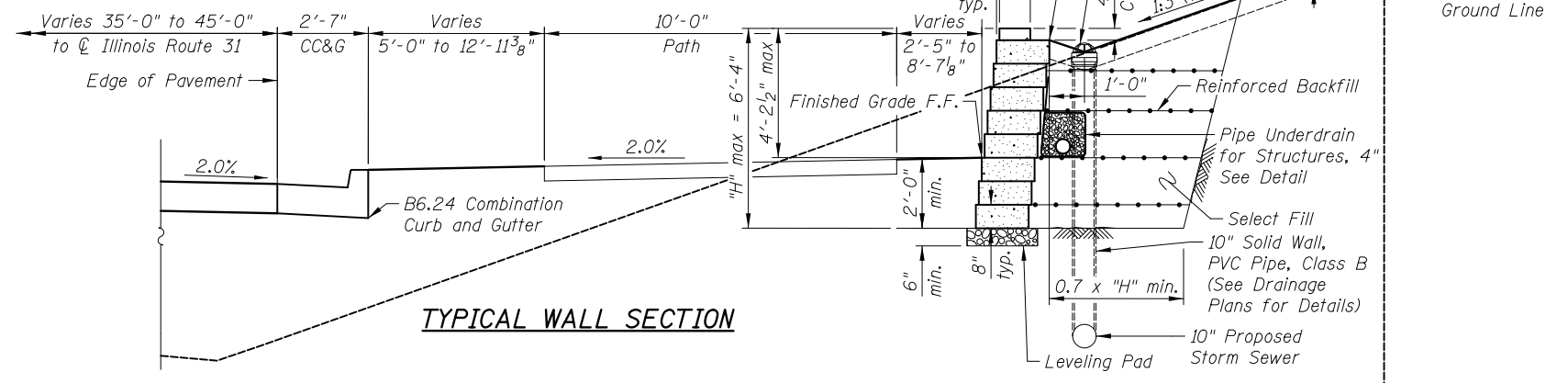


ELEVATION
Looking at Front Face of Wall

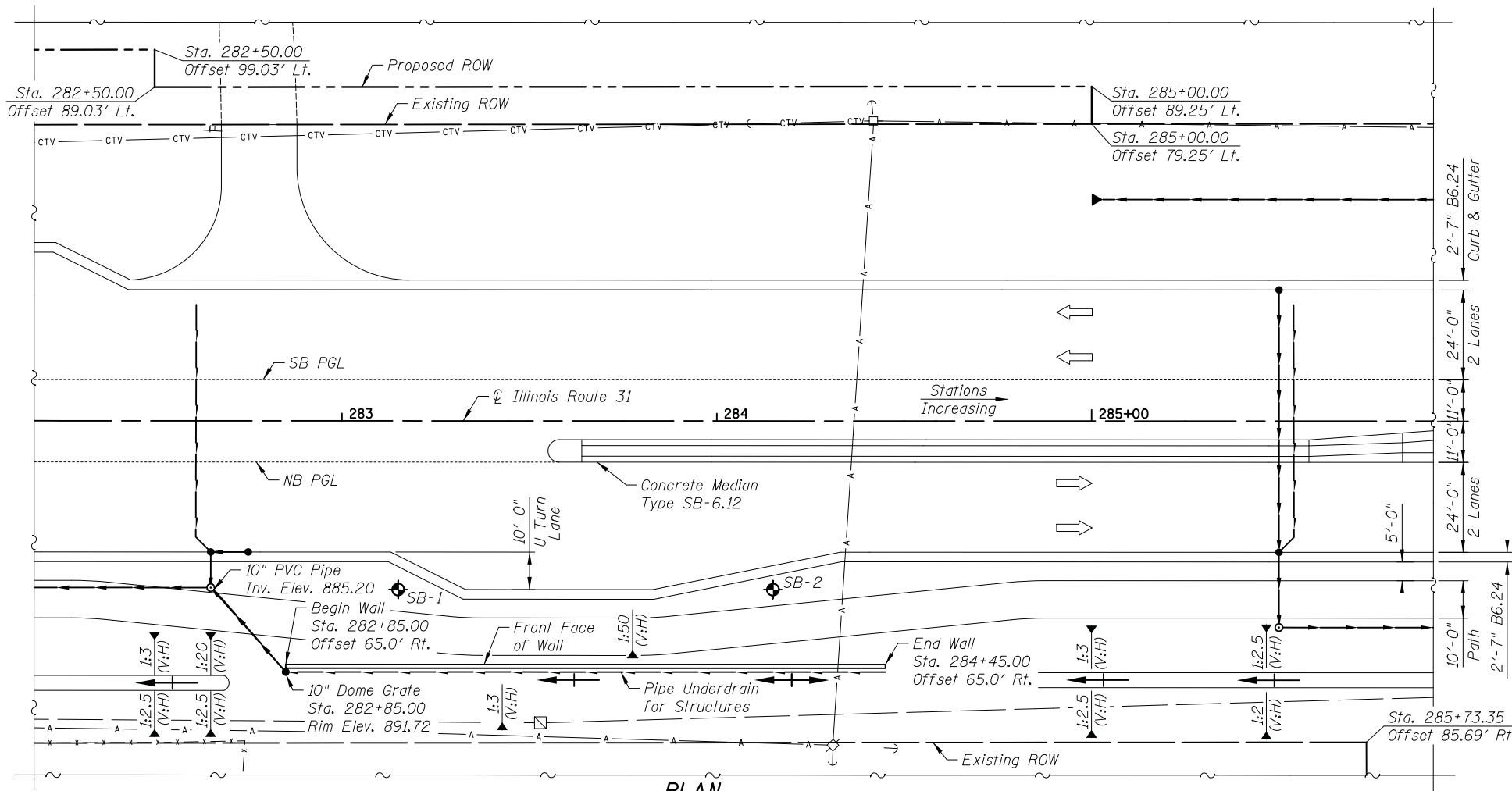


PIPE UNDERDRAIN DETAIL

* Included in the cost of Pipe Underdrains for Structures, 4"

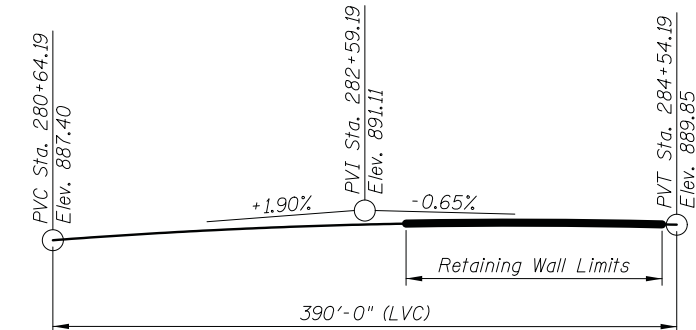


TYPICAL WALL SECTION



PLAN

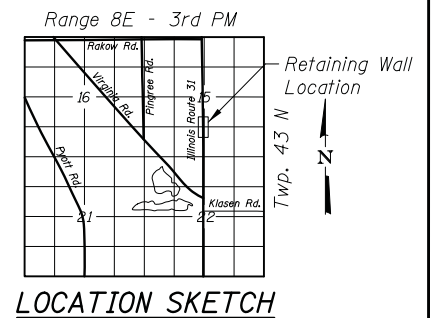
Offsets are measured from the ϕ Illinois Route 31 to the Front Face of Segmental Concrete Block Wall



PROPOSED PROFILE GRADE ILLINOIS ROUTE 31

LEGEND

- A — Existing Aerial Lines
- - - Existing Underground Signals Cable
- - - Existing Fence to Remain
- Proposed Storm Sewer
- Proposed Pipe Underdrain
- CTV — Existing Underground TV Cable
- ◆ Soil Boring Location



**GENERAL PLAN AND ELEVATION
RETAINING WALL; IL RTE 31 (F.A.U. 3887)
SECTION 18W&RS-5 (12), McHENRY COUNTY
STA. 282+85 TO STA. 284+45
STRUCTURE NO. 056-W015**

**STATE OF ILLINOIS
DEPARTMENT OF TRANSPORTATION**

**GENERAL PLAN AND ELEVATION
SN 056-W015**

SHEET NO. W1 OF W2 SHEETS

F.A.U. RTE.	SECTION	COUNTY	TOTAL SHEETS	SHEET NO.
3887	18W&RS-5 (12)	McHENRY	151	102

CONTRACT NO. 60V72
ILLINOIS FED. AID PROJECT

CIVILTECH
450 E Devon Ave, Suite 300
Itasca, Illinois 60143
Tel: 630.773.3900 Fax: 630.773.3975
www.civiltechinc.com

DRAWN - K. BOCHNOWSKI
DESIGNED - M. LANGE
CHECKED - G. HATLESTAD
DATE - 12/17/2013

REVISED -
REVISED -
REVISED -
REVISED -

12/17/2013 4:46:33 PM Y:\2278 North Gap\sheet\6-Detail\2278NG-WALL_GPE.dgn