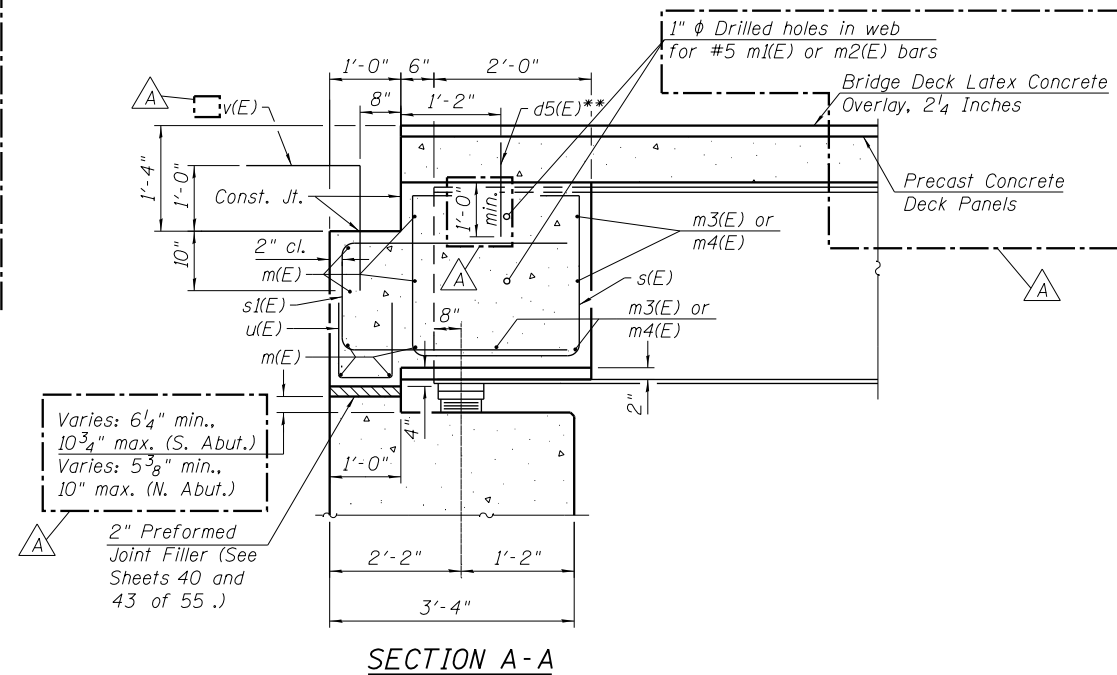
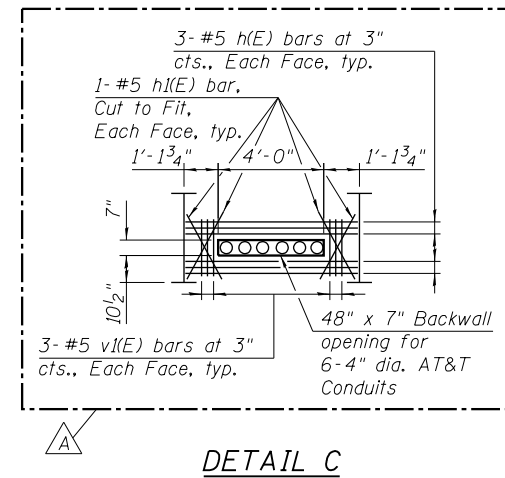
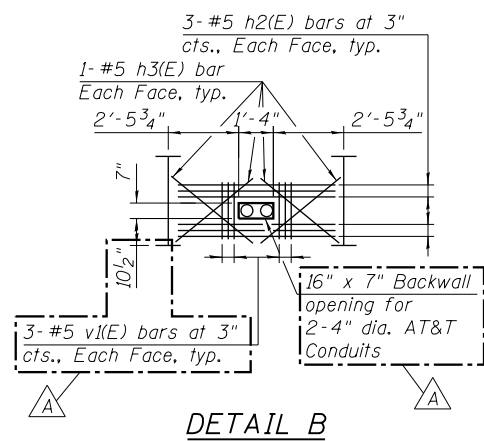
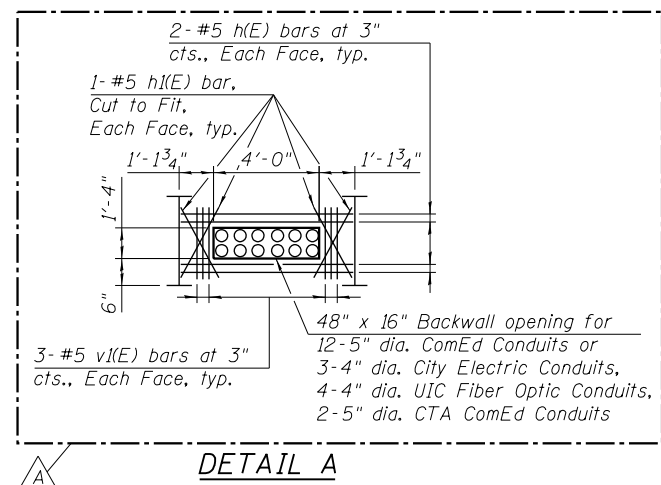


DIAPHRAGM ELEVATION
(North Abutment shown, South Abutment opposite hand)

* See Sheets 17 thru 20 of 55 for spacing of d5(E) bars.



Varies: 6 1/4" min., 10 3/4" max. (S. Abut.)
Varies: 5 3/8" min., 10" max. (N. Abut.)

** Drill and set d5(E) bars into the concrete diaphragm according to Article 584 of the Standard Specifications. Method and grout are subject to approval of the Engineer. Cost included with Reinforcement Bars, Epoxy Coated.

Note:
Utility sleeve installed in this Contract. Conduit provided by Others. Contractor to coordinate with utility owner for location and size of the utility sleeves. Cost of utility sleeves included in Concrete Structures.
See Sheet 23 of 55 for Bill of Material.
See Sheet 24 of 55 for spacing of v(E) bars.

10:31:40 AM 0161708-60W29-5022-SuperStruct-Detail.dgn



USER NAME = BAWIort	DESIGNED = WJC	REVISED = 12/18/2013 WJC/JRM
PLOT SCALE = 32:0.0000 ' : ' / in.	CHECKED = JRM	REVISED
PLOT DATE = 12/19/2013	DRAWN = WJC	REVISED
	CHECKED = JRM	REVISED

STATE OF ILLINOIS
DEPARTMENT OF TRANSPORTATION

SUPERSTRUCTURE DETAILS 1
STRUCTURE NO. 016-1708
SHEET NO. 22 OF 55 SHEETS

MUN	SECTION	COUNTY	TOTAL SHEETS	SHEET NO.
2090	2013-011R	COOK	356	154
CONTRACT NO.			60W29	
ILLINOIS FED. AID PROJECT				