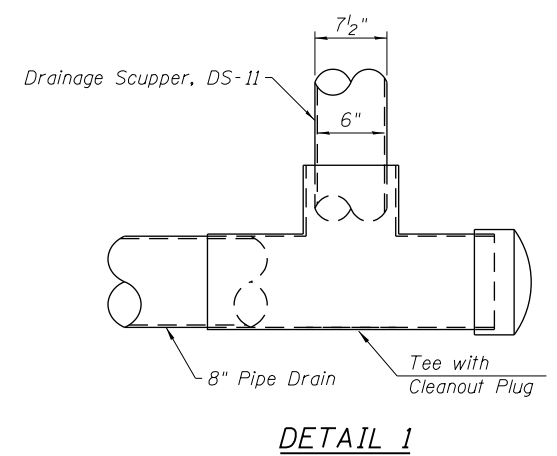
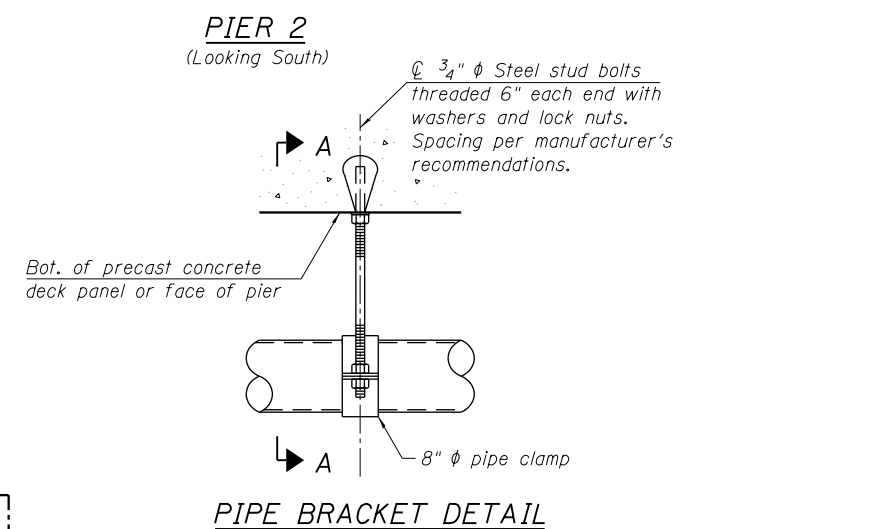
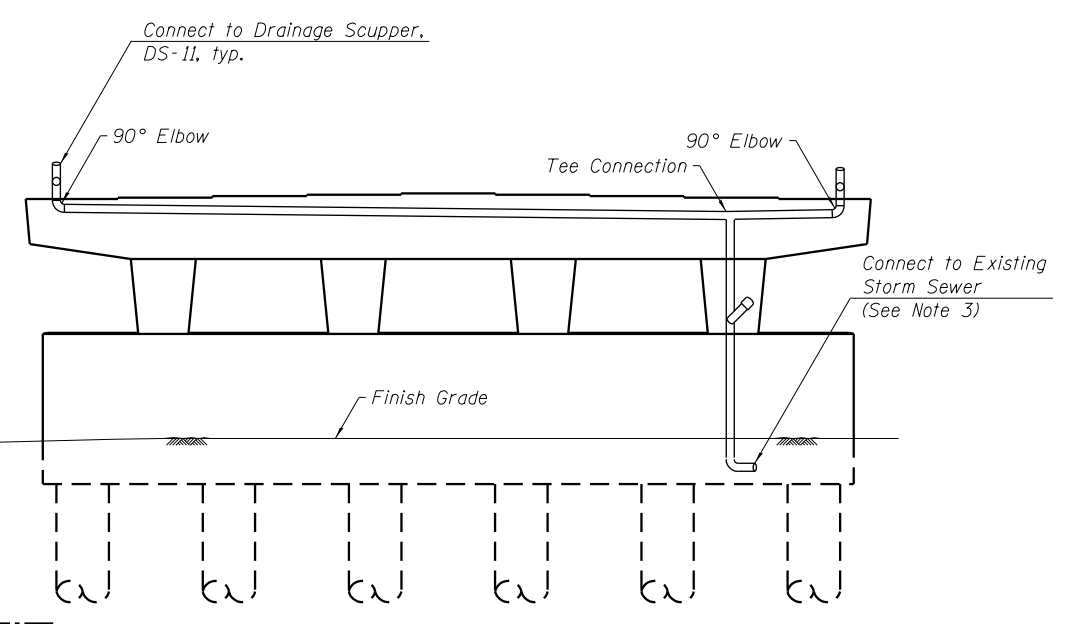
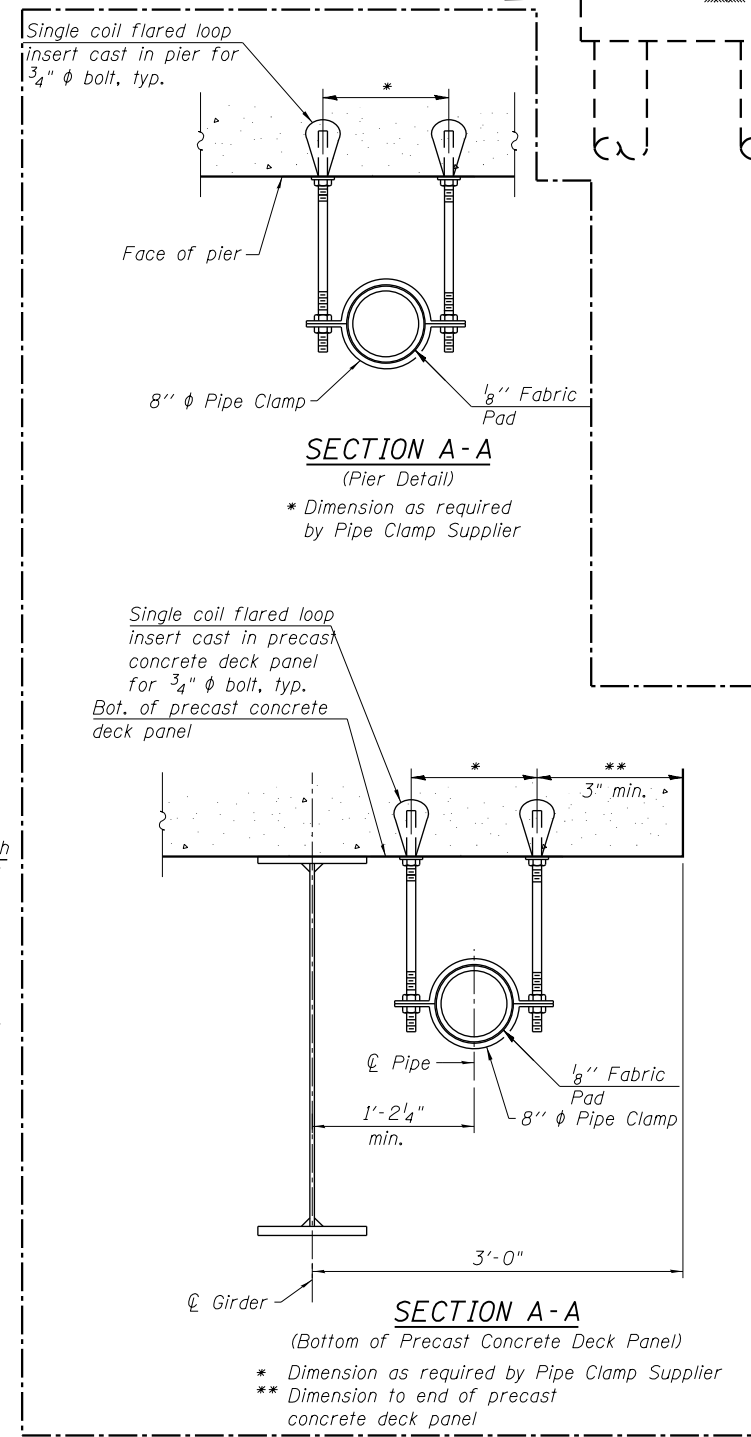


Notes:
 Provide structural support from proposed precast concrete deck panel for drain pipe per manufacturer's recommendation, not to exceed 6' cts. Cost included with Precast Concrete Deck Panels.
 All pipes, pipe fittings and brackets needed shall be included with cost of Drainage System.
 Drainage system shall connect to the existing roadway storm sewer. Cost of connection included in Drainage System. See Sheet 79 of 356 for details.
 Location of structural supports for the drainage system shall be coordinated with the Precast Concrete Deck Panel Manufacturer.
 The drainage system shall be painted with a finish coat of gray, Munsell No. 5B 7/1. **Cost included with Drainage System.**



LEGEND
 —————> Indicates direction of flow

BILL OF MATERIAL

Item	Unit	Quantity
Drainage System	L. Sum	1

10:32:23 AM 0161708-60W29-5030-Drainage-System.dgn



USER NAME = BAWIort	DESIGNED KAH	REVISED A 12/18/2013 KAH
PLOT SCALE = 16:0 1/4" / in.	CHECKED MDS	REVISED
PLOT DATE = 12/19/2013	DRAWN RLS	REVISED
	CHECKED MDS	REVISED

**STATE OF ILLINOIS
 DEPARTMENT OF TRANSPORTATION**

**BRIDGE DRAINAGE SYSTEM
 STRUCTURE NO. 016-1708**
 SHEET NO. 30 OF 55 SHEETS

MUN	SECTION	COUNTY	TOTAL SHEETS	SHEET NO.
2090	2013-011R	COOK	356	162
CONTRACT NO. 60W29				

ILLINOIS FED. AID PROJECT