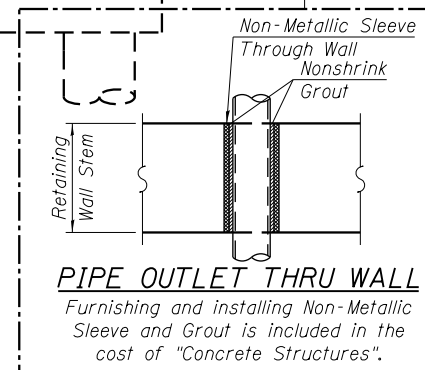
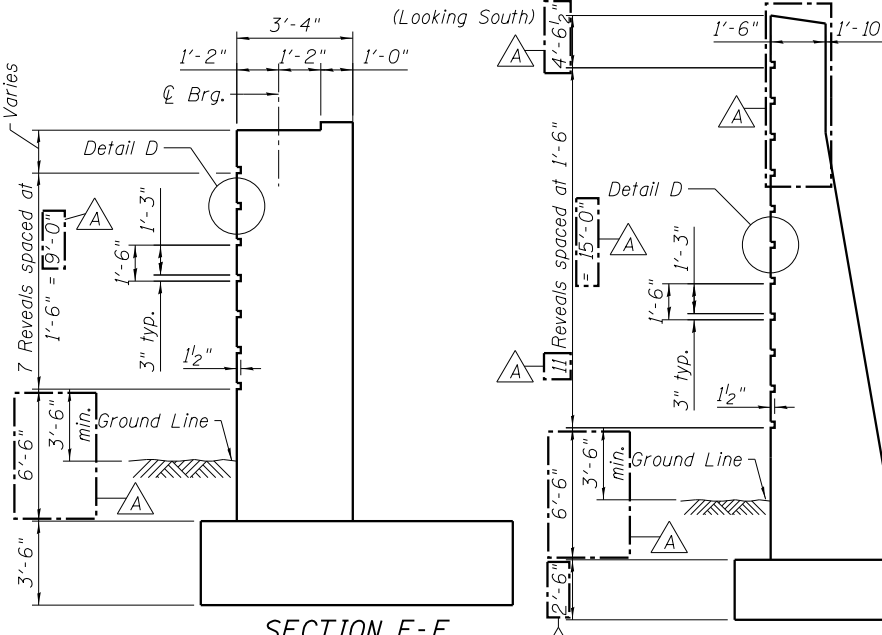


**DETAIL D**  
(Typical Reveal Detail)



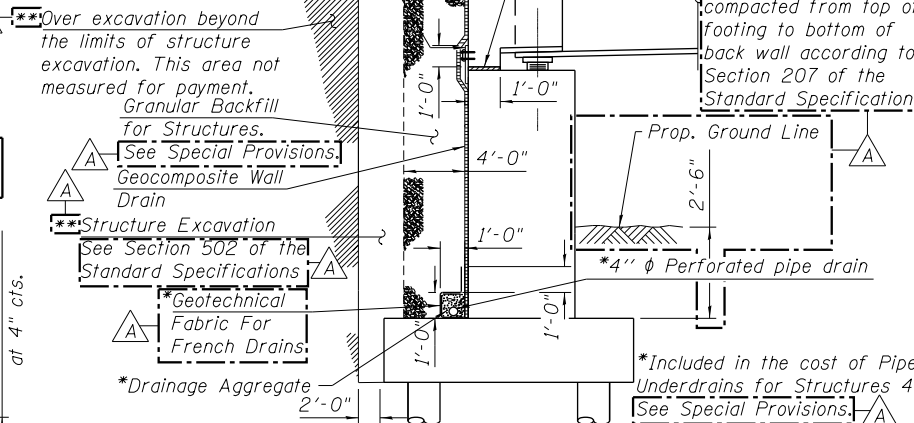
**SOUTH ABUTMENT ELEVATION - ARCHITECTURAL DETAILS**

Note:  
The 3" x 1 1/2" reveal will not be paid separately and shall be included in the cost of the pay item "Concrete Structures".

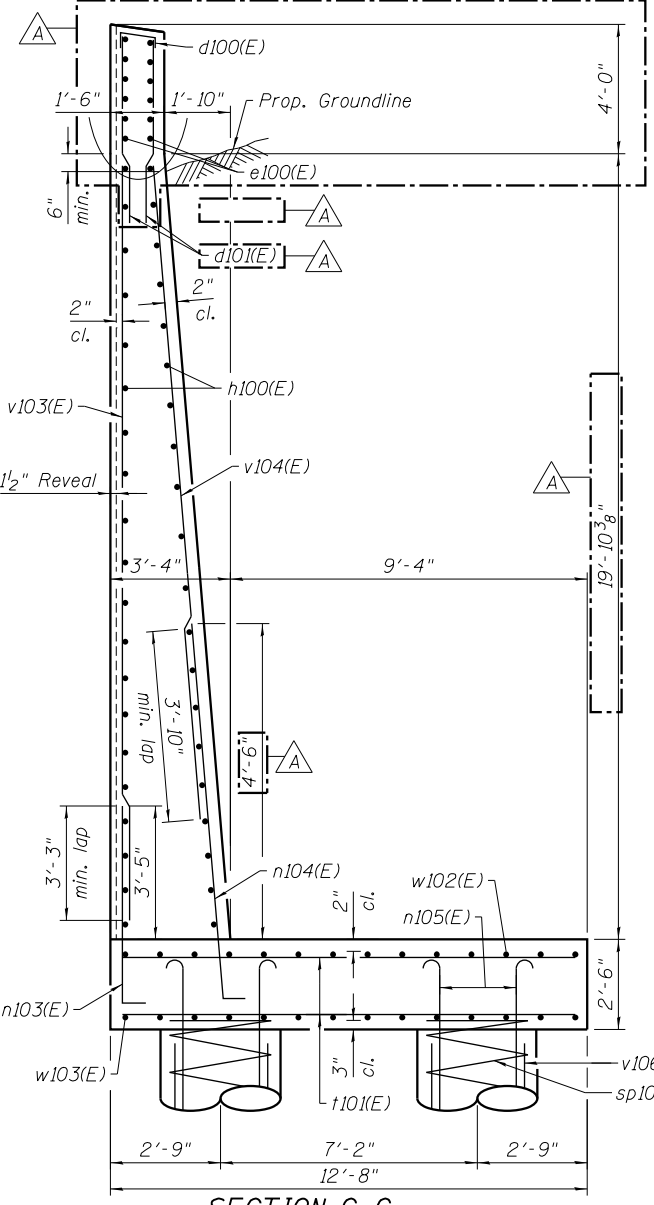


**DETAIL E**  
Fabric Reinforced Elastomeric Mat according to Section 1028 of the Std. Specs. Fabric mat shall be 24" wide and attached full width and vertically at edges to the abutment cap with a 3/8" x 5" steel plate and 1/2" φ studs with nuts and washers at 12" cts. Cost included with Concrete Superstructure.

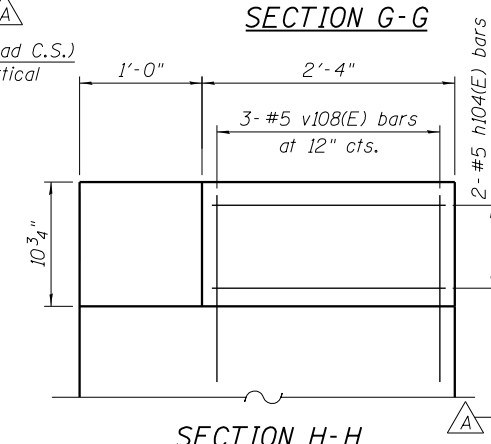
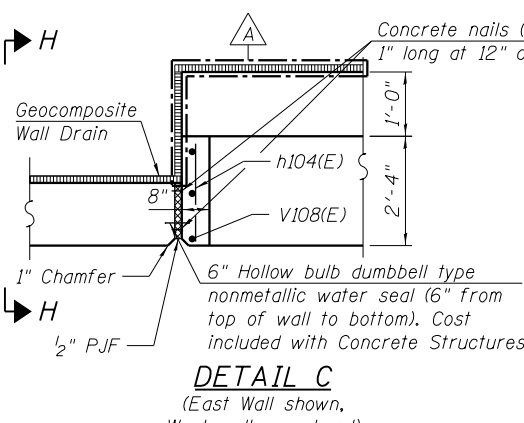
2" P.J.F. (per Article 1051.09 of the Standard Specifications) full width and vertically at edges bonded to abutment cap with suitable adhesive as recommended by supplier.



All drainage system components shall extend to the end of each wingwall and an outlet pipe shall extend thru the Southwest wingwall. The pipe shall drain into Structure S-31.  
Backfill remainder of Structure Excavation and over Excavation with same material specified for Roadway Embankment.



**SECTION C-C**



**SECTION H-H**

**BILL OF MATERIAL**

Item	Unit	Total
Pipe Underdrains for Structures 4"	Foot	120

USER NAME = jrmickow	DESIGNED = JRM	REVISED = 1/20/2014 JRM/WJC
CHECKED = SAS		
PLOT SCALE = 0x2.0000 '1" / in.	DRAWN = RLS	REVISED =
PLOT DATE = 1/21/2014	CHECKED = WJC	REVISED =

**STATE OF ILLINOIS**  
**DEPARTMENT OF TRANSPORTATION**

**SOUTH ABUTMENT DETAILS 2**  
**STRUCTURE NO. 016-1708**  
SHEET NO. 40 OF 55 SHEETS

MUN	SECTION	COUNTY	TOTAL SHEETS	SHEET NO.
2090	2013-011R	COOK	356	172
CONTRACT NO.			60W29	
ILLINOIS FED. AID PROJECT				

9:54:52 AM 0161708-COM287-09-460182-118610-A001.rvt 1/21/2014 1:11:21 PM

