

NORTH ABUTMENT ELEVATION - ARCHITECTURAL DETAILS
(Looking North)

Note:
The 3" x 1/2" reveal will not be paid separately and shall be included in the cost of the pay item "Concrete Structures".

Fabric Reinforced Elastomeric Mat according to Section 1028 of the Std. Specs. Fabric mat shall be 24" wide and attached full width and vertically at edges to the abutment cap with a 3/8" x 5" steel plate and 1/2" φ studs with nuts and washers at 12" cts. Cost included with Concrete Superstructure.

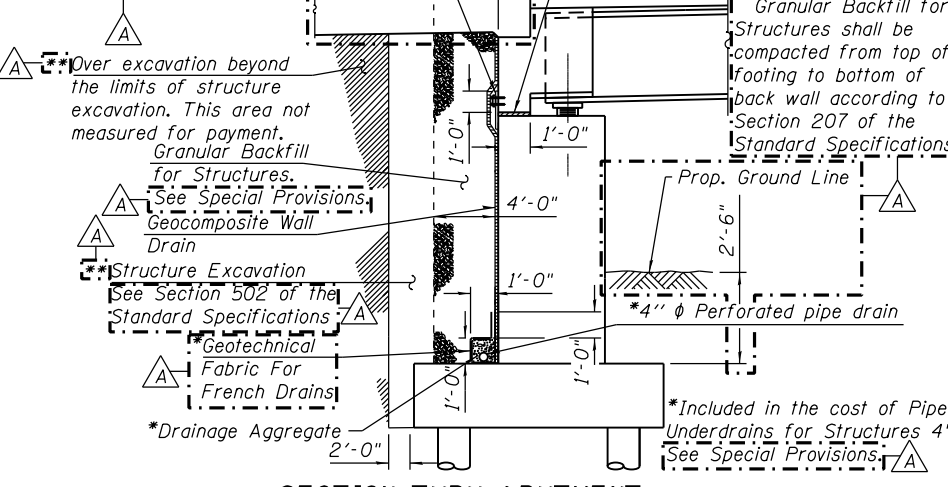
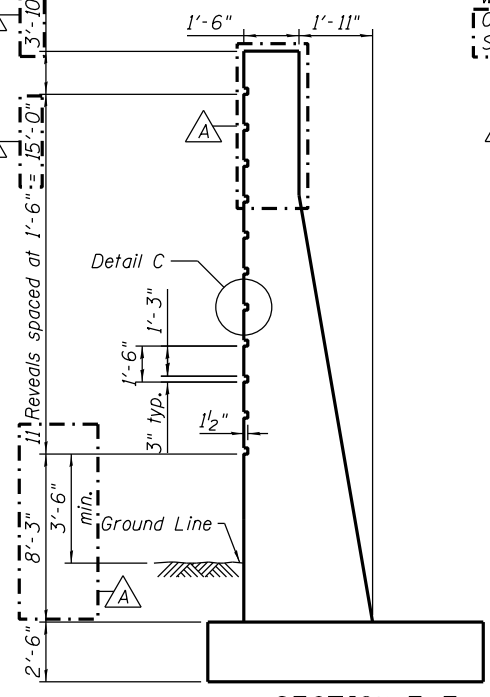
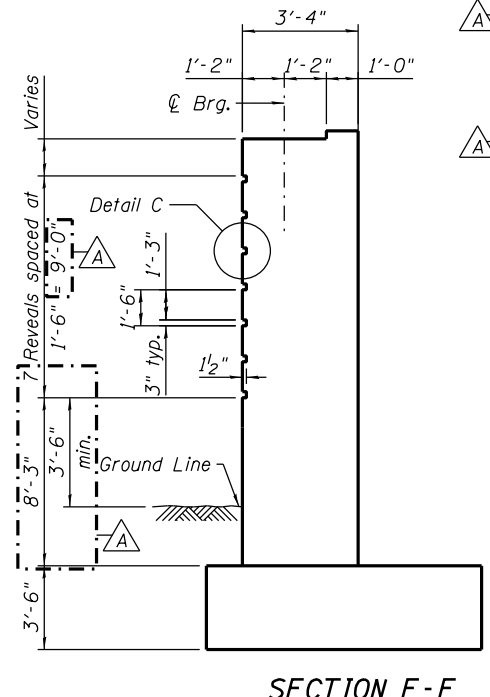
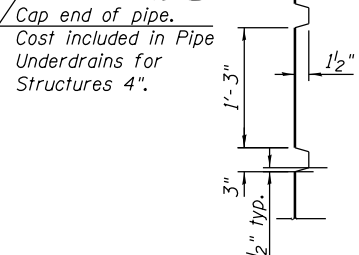
2" PJF (per Article 1051.09 of the Standard Specifications) full width and vertically at edges bonded to abutment cap with suitable adhesive as recommended by supplier.

Note:
Granular Backfill for Structures shall be compacted from top of backfill to bottom of back wall according to Section 207 of the Standard Specifications.

DETAIL C
(Typical Reveal Detail)

PIPE OUTLET THRU WALL

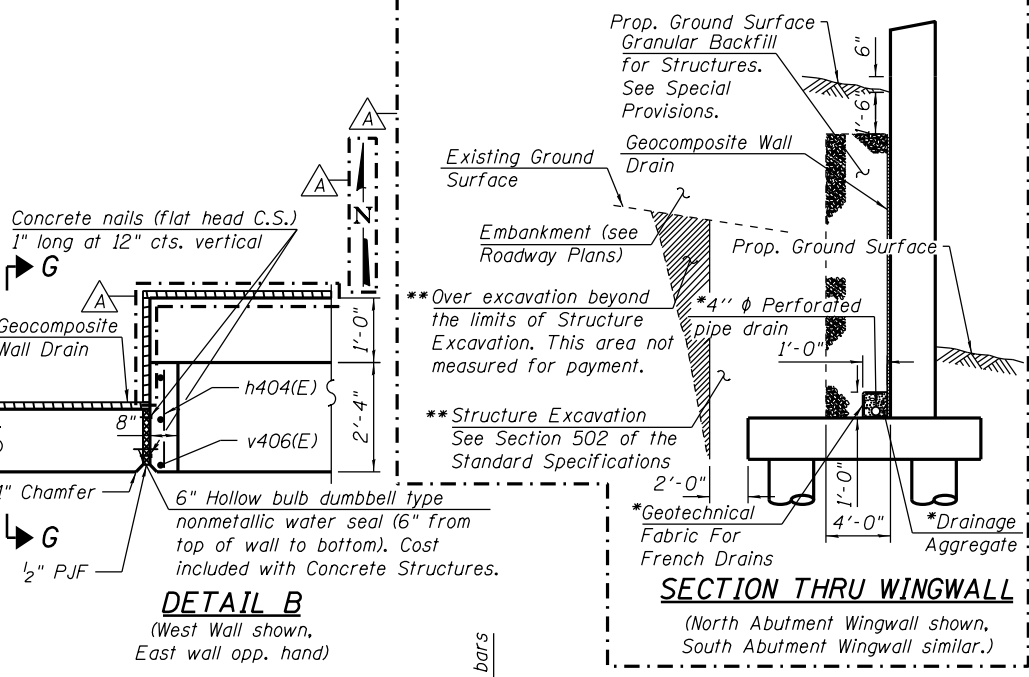
Furnishing and installing Non-Metallic Sleeve and Grout is included in the cost of "Concrete Structures".



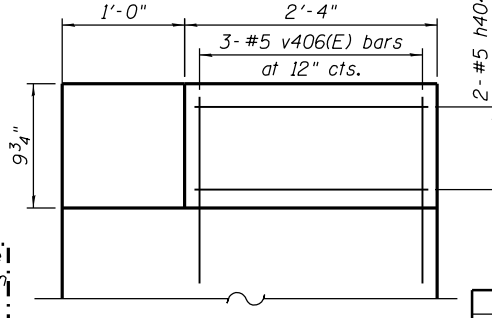
SECTION THRU ABUTMENT

All drainage system components shall extend to the end of each wingwall and an outlet pipe shall extend thru the Northwest wingwall. The pipe shall drain into the existing structure at Sta. 345+37.80, offset 35.40' LT.

**Backfill remainder of Structure Excavation and Over Excavation with same material specified for Roadway Embankment.



DETAIL B
(West Wall shown, East wall opp. hand)



SECTION G-G

BILL OF MATERIAL

Item	Unit	Total
Pipe Underdrains for Structures 4"	Foot	147

1:48:17 PM 0161708-60W29-5043-Abutment_NorthDetails2.dgn



USER NAME = kahastings	DESIGNED JRM	REVISION A 1/20/2014 JRM/WJC
PLOT SCALE = 0:2.0000 '1" / 1n.	CHECKED SAS	REVISION
PLOT DATE = 1/21/2014	DRAWN RLS	REVISION
	CHECKED WJC	REVISION

STATE OF ILLINOIS
DEPARTMENT OF TRANSPORTATION

NORTH ABUTMENT DETAILS 2
STRUCTURE NO. 016-1708

SHEET NO. 43 OF 55 SHEETS

MUN 2090	SECTION 2013-011R	COUNTY COOK	TOTAL SHEETS 356	SHEET NO. 175
CONTRACT NO. 60W29				

ILLINOIS FED. AID PROJECT