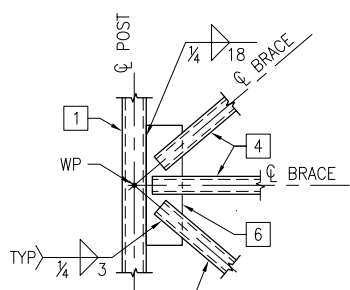
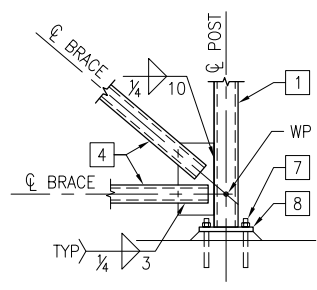


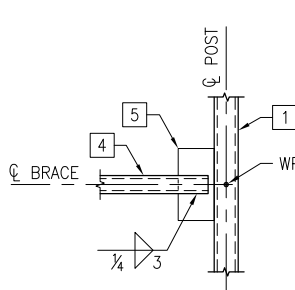
C1 DETAIL
3/4" = 1'-0"



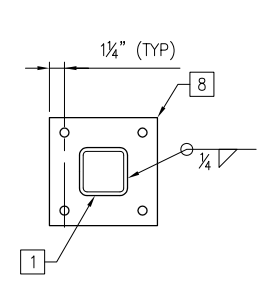
C2 DETAIL
3/4" = 1'-0"



C3 DETAIL
3/4" = 1'-0"

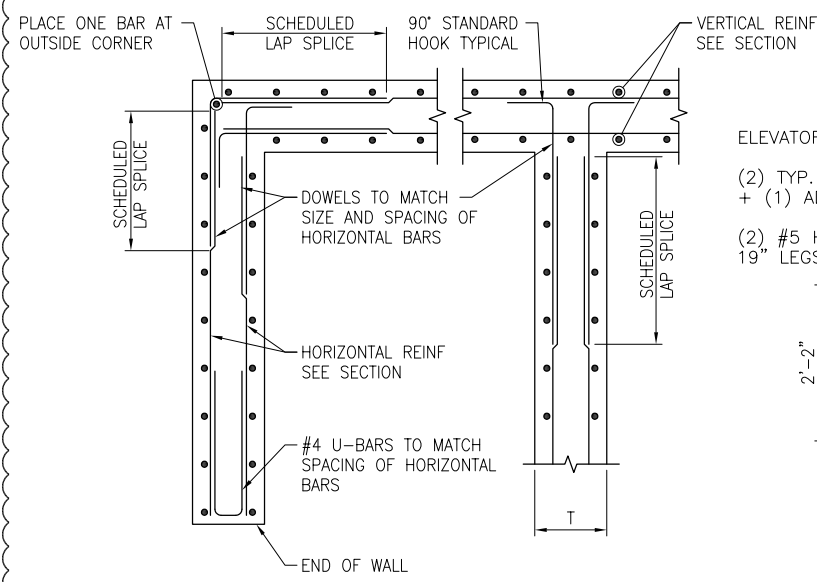


C4 DETAIL
3/4" = 1'-0"

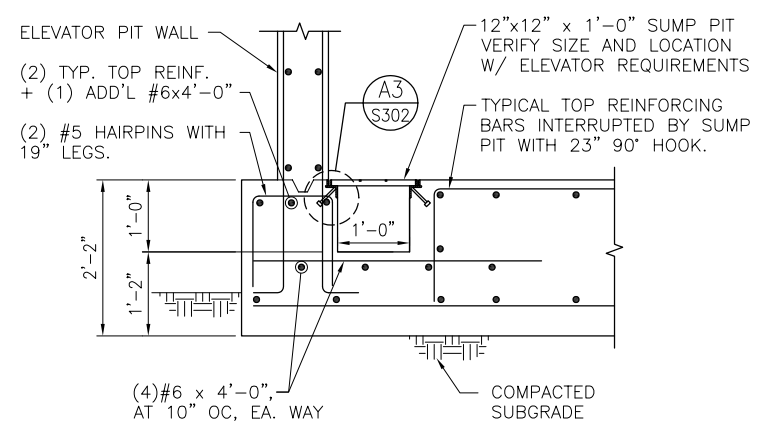


C5 DETAIL
3/4" = 1'-0"

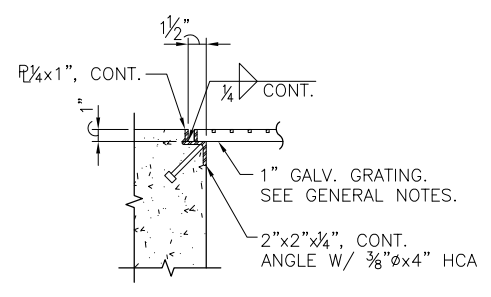
- KEYED NOTES:**
1. TEMPORARY HSS4x4x5/16 SHORING POSTS FOR EXISTING STAIRS. PROVIDE 1/4" CAP PLATE.
 2. TYPICAL SHEAR CONNECTION. SEE B1/S-600.
 3. TEMPORARY W12x40 SHORING BEAM.
 4. TEMPORARY HSS3x3x5/16 BRACE. SPLIT AT CONNECTION.
 5. P3/8x6 x 1-0.
 6. P3/8x6 x 1-6.
 7. (4) 3/4" EXPANSION ANCHORS. EMBEDDED 4 1/2".
 8. P3/4"x9 x 0-9 WITH (4) 7/8" HOLES. SEE C5/S-302.



A1 TYPICAL FOUNDATION WALL PLAN DETAIL
NTS



A2 ELEVATOR SUMP PIT
NTS



A3 DETAIL
1-1/2" = 1'-0"



USER NAME = MAC	DESIGNED KLT	REVISED A 12/18/2013
PLOT SCALE =	CHECKED AB	REVISED ---
PLOT DATE = 10/28/13	DRAWN MAC	REVISED ---
	CHECKED KLT	REVISED ---

STATE OF ILLINOIS
DEPARTMENT OF TRANSPORTATION

PEORIA STREET STATION
FOUNDATION SECTIONS AND DETAILS

SHEET NO. S-302 OF 117 SHEETS

MUN	SECTION	COUNTY	TOTAL SHEETS	SHEET NO.
2090	2013-011R	COOK	356	209
				CONTRACT NO. 60W29
ILLINOIS FED. AID PROJECT FED. AID PROJECT				