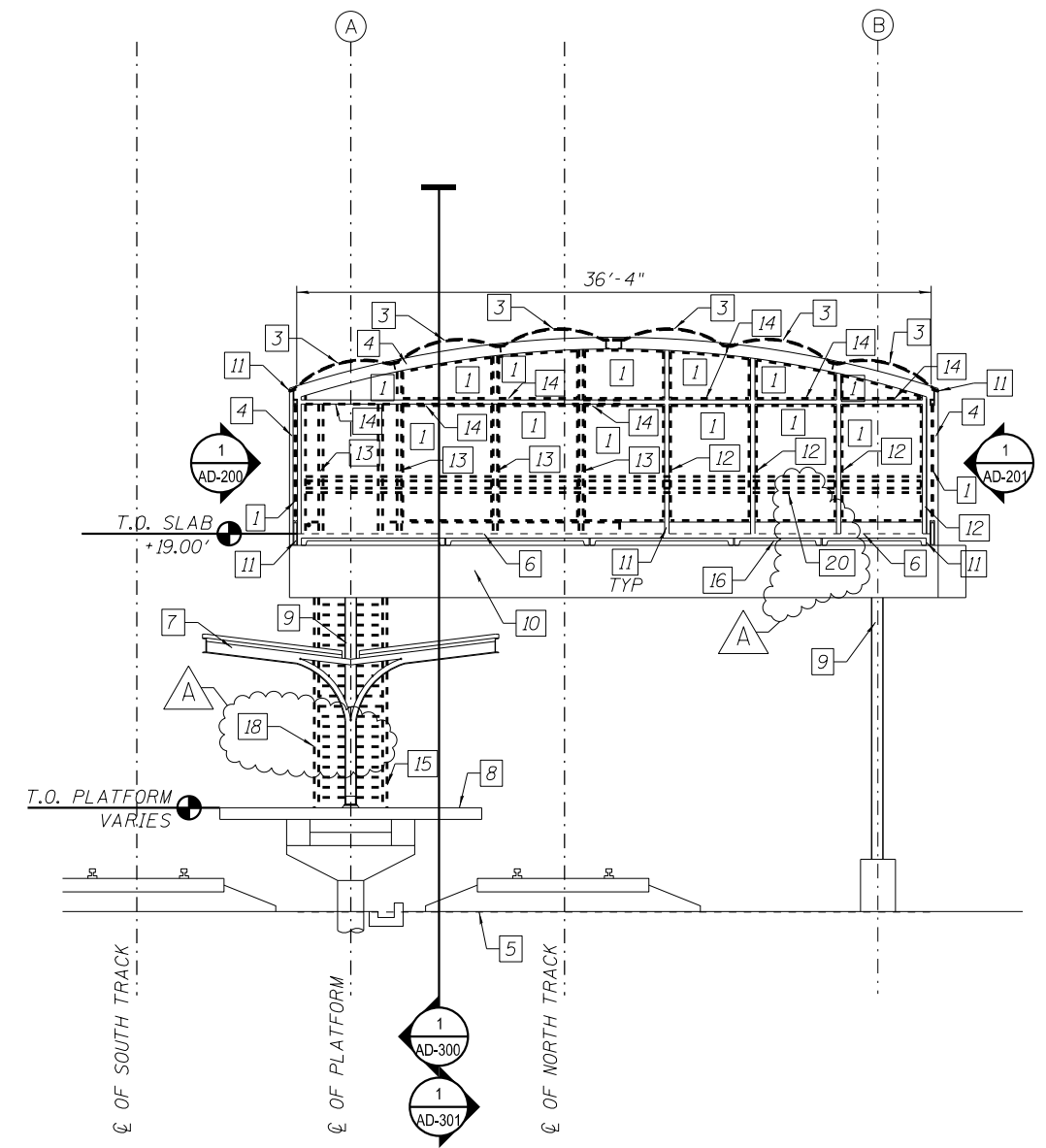
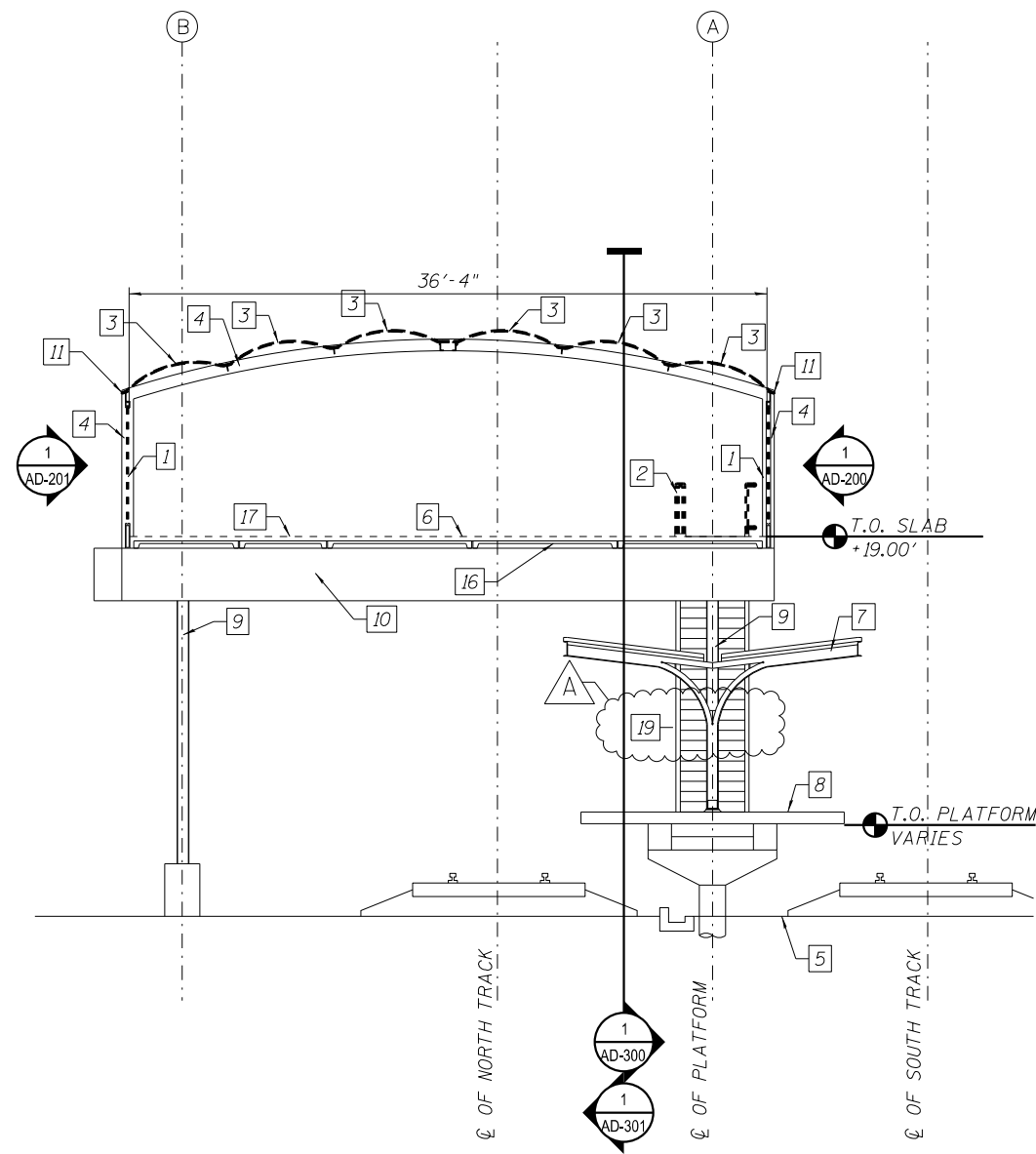


KEY NOTES:

1. REMOVE GLAZING, GLAZING STOPS AND SCREWS.
2. REMOVE STAIR GUARD RAIL - UNPAID AREA.
3. REMOVE SKYLIGHT UNIT IN ITS ENTIRETY.
4. EXISTING STEEL TUBE STRUCTURE TO REMAIN.
5. FINISH GRADE.
6. FINISH FLOOR LEVEL.
7. PLATFORM CANOPY.
8. PLATFORM LEVEL.
9. EXISTING STATION COLUMN TO REMAIN.
10. EXISTING STRUCTURAL STEEL BEAM TO REMAIN.
11. EXISTING STRUCTURAL FRAMING TO REMAIN, TYP.
12. EXISTING TUBE STEEL TO REMAIN, TYP.
13. REMOVE TUBE STEEL COLUMN.
14. EXISTING TUBE STEEL BEAM TO REMAIN.
15. NOT USED.
16. EXISTING PRECAST CONCRETE PLANK TO REMAIN, TYP.
17. REMOVE EXISTING CONCRETE TOPPING SLAB WHERE INDICATED ON DEMOLITION PLAN. PROTECT EXISTING PRECAST CONCRETE PLANK, TO REMAIN.
18. EXISTING WEST STAIR TO BE REMOVED. REMOVE AND STORE FOR REINSTALLATION STRINGER AND CAST IRON TREADS REMOVE GLASS, GLASS STOPS & SCREWS.
19. EXISTING EAST STAIR STRINGERS AND GLASS FRAME TO REMAIN. REMOVE GLASS AND GLASS STOPS. REMOVE & STORE FOR REINSTALLATION CAST IRON TREADS.
20. REMOVE WINDOW GUARD RAILS.



1 **STATION SECTION LOOKING EAST**
 SCALE: 3/16" = 1'-0"
 * ROADWAY BRIDGE NOT SHOWN FOR CLARITY

2 **STATION SECTION LOOKING WEST**
 SCALE: 3/16" = 1'-0"



2:02:22 PM 01/17/08-60W29-AD-302.dgn



USER NAME = whbruce	DESIGNED - WHB	REVISED - 12/18/2013
	CHECKED - CRR	REVISED -
PLOT SCALE = 10:8.0012 ' / In.	DRAWN - WHB	REVISED -
PLOT DATE = 12/17/2013	CHECKED - CRR	REVISED -

**STATE OF ILLINOIS
 DEPARTMENT OF TRANSPORTATION**

**PEORIA STREET STATION
 DEMOLITION STATION SECTIONS**

SHEET NO. AD-3020F 117 SHEETS

MUN	SECTION	COUNTY	TOTAL SHEETS	SHEET NO.
2090	2013-011R	COOK	356	225
CONTRACT NO. 60W29				
ILLINOIS FED. AID PROJECT FED. AID PROJECT				