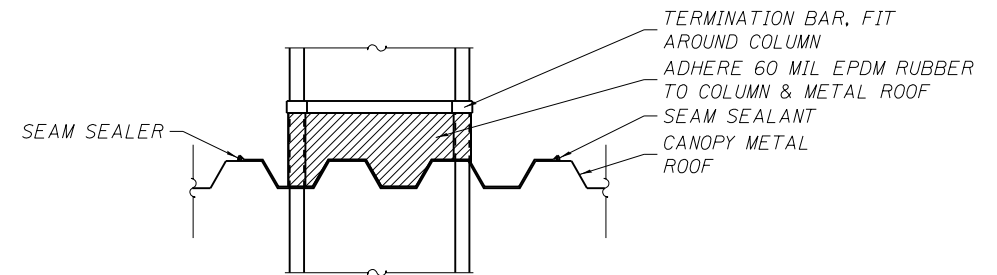
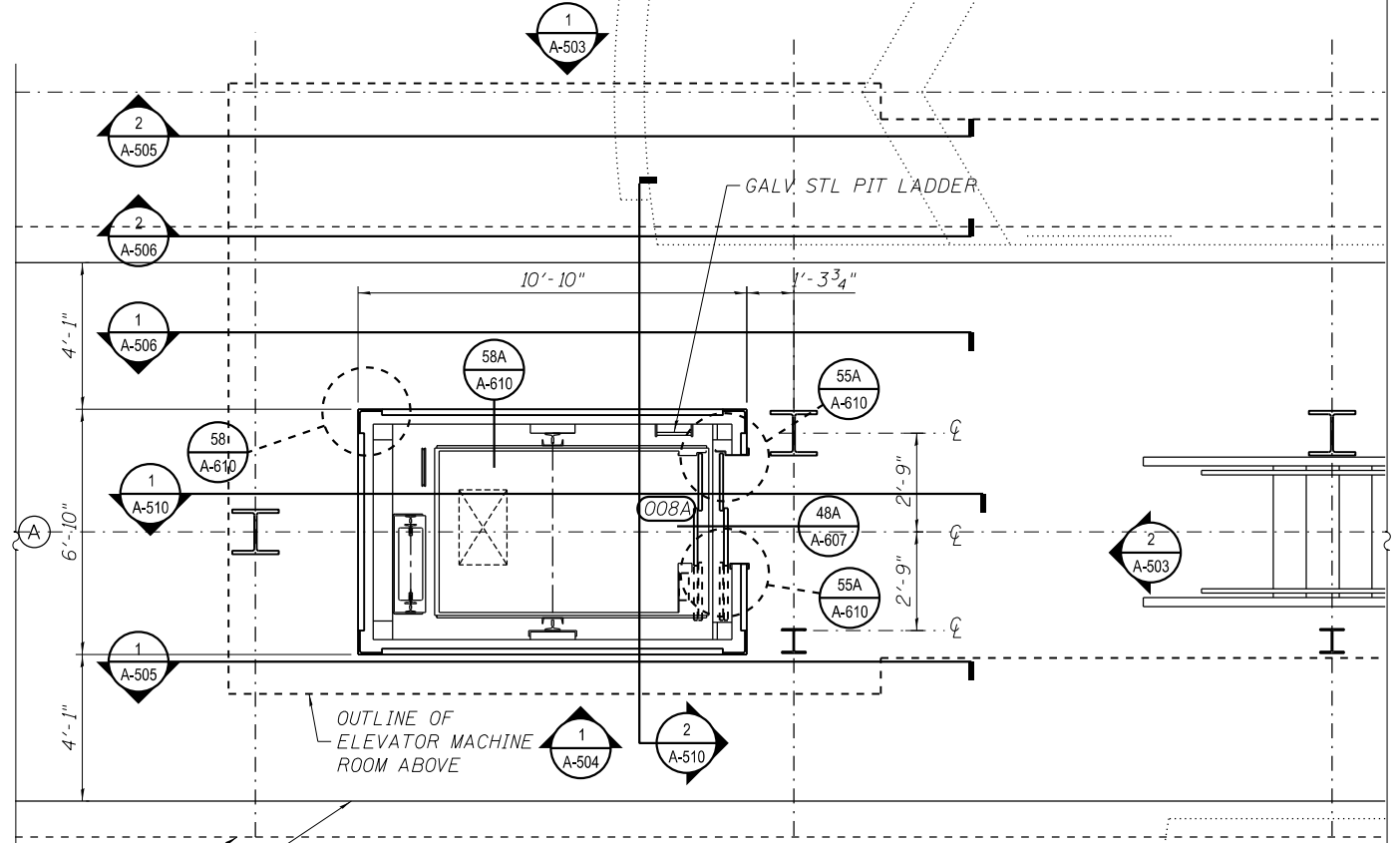


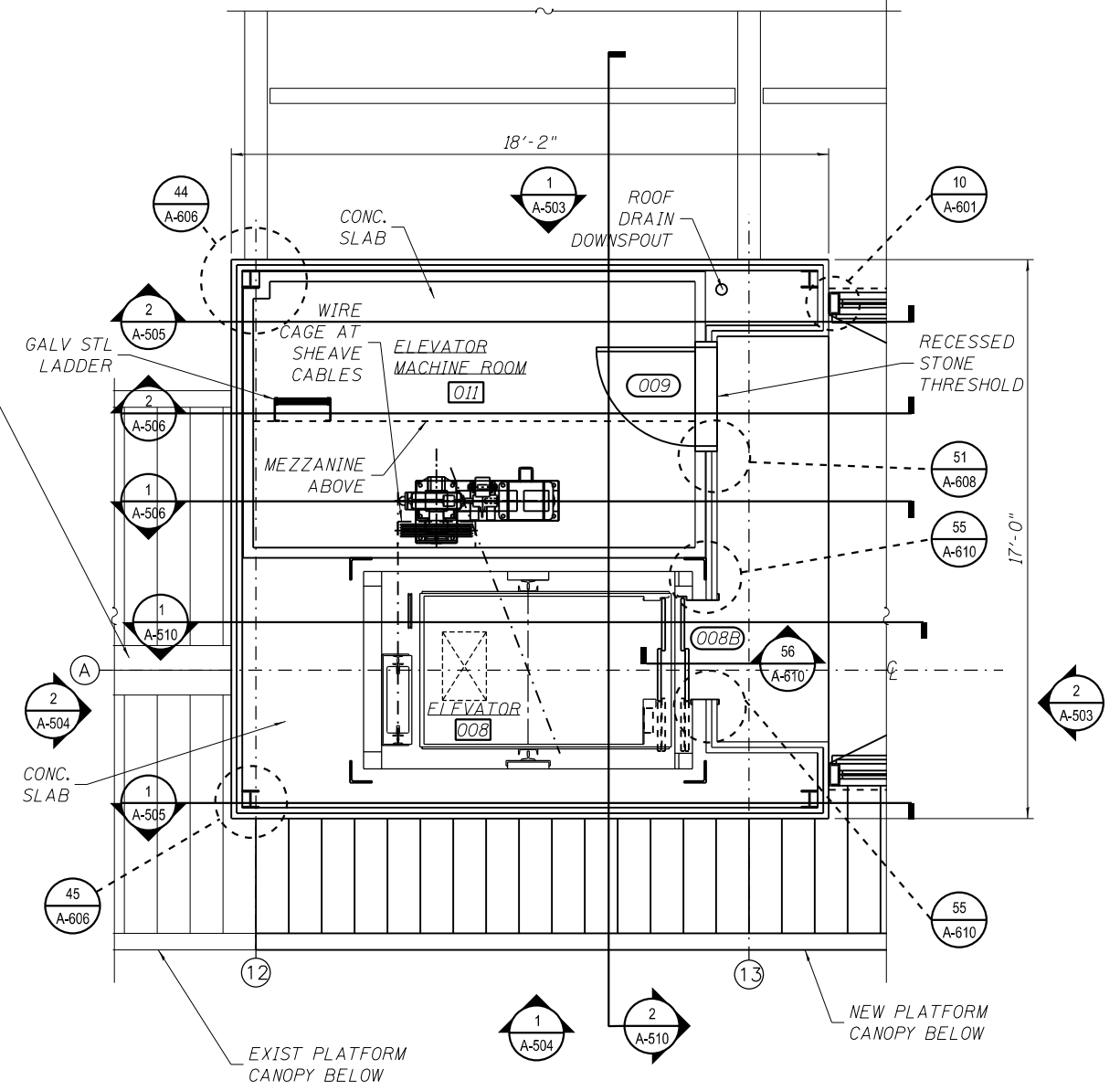
1A ENLARGED ELEVATOR PLAN - CANOPY LEVEL
SCALE: 3/8" = 1'-0"



3 SEAL COLUMN TO METAL ROOF
SCALE: 3/8" = 1'-0"



1 ENLARGED ELEVATOR PLAN - PLATFORM FLOOR LEVEL
SCALE: 3/8" = 1'-0"



2 ENLARGED ELEVATOR & MACHINE ROOM PLAN - STATION FLOOR LEVEL
SCALE: 3/8" = 1'-0"



4:32:08 PM 01/17/08-60W29-A-501.dgn



USER NAME = whbruce	DESIGNED - WHB	REVISED - 1/20/2014
PLOT SCALE = 64:0.0007 in/in	CHECKED - CRR	REVISED -
PLOT DATE = 1/20/2014	DRAWN - MSL	REVISED -
	CHECKED - CRR	REVISED -

**STATE OF ILLINOIS
DEPARTMENT OF TRANSPORTATION**

**PEORIA STREET STATION
ENLARGED ELEVATOR AND MACHINE ROOM PLANS**

SHEET NO. A-501 OF 117 SHEETS

MUN	SECTION	COUNTY	TOTAL SHEETS	SHEET NO.
2090	2013-011R	COOK	356	243
CONTRACT NO. 60W29				
ILLINOIS FED. AID PROJECT		FED. AID PROJECT		