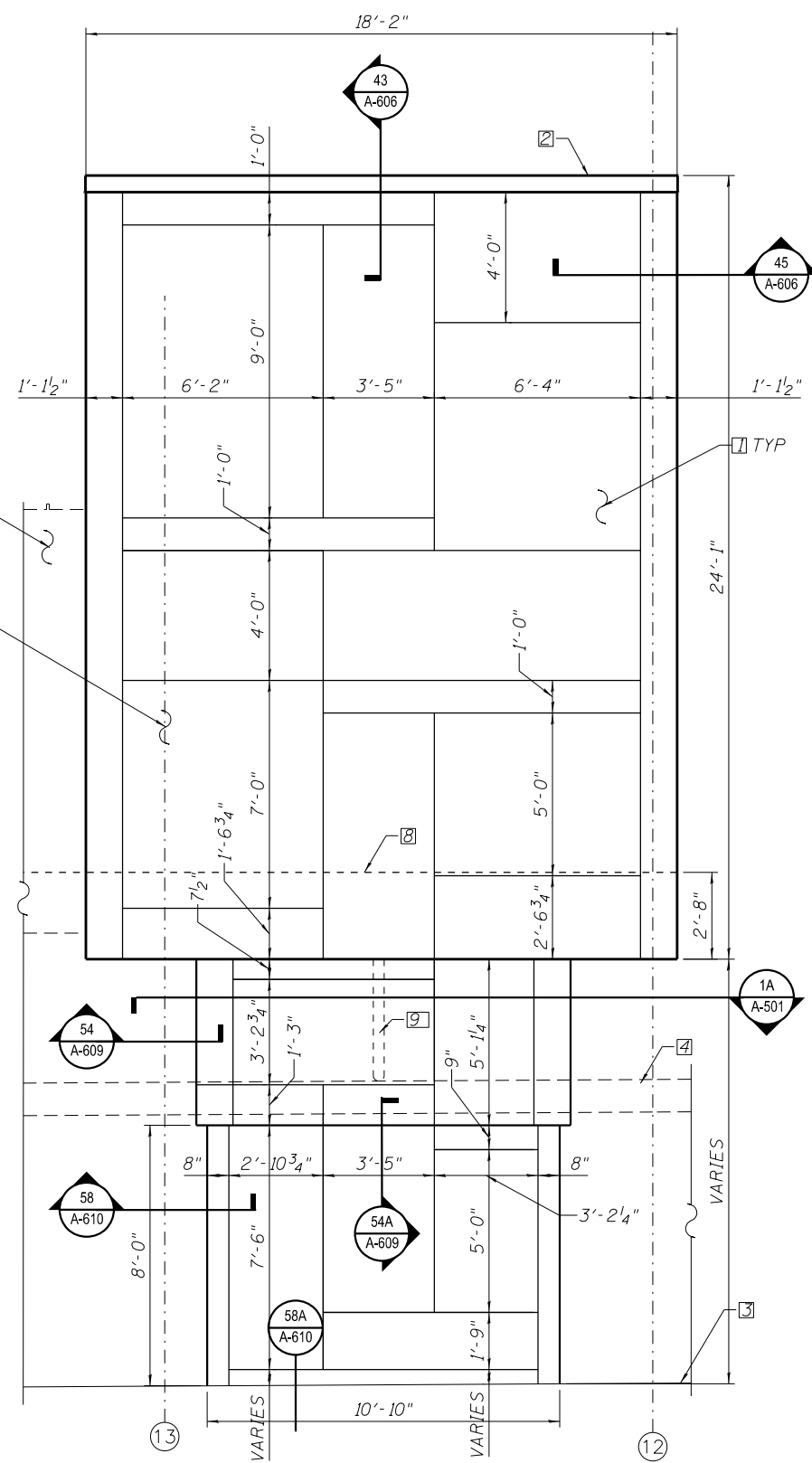
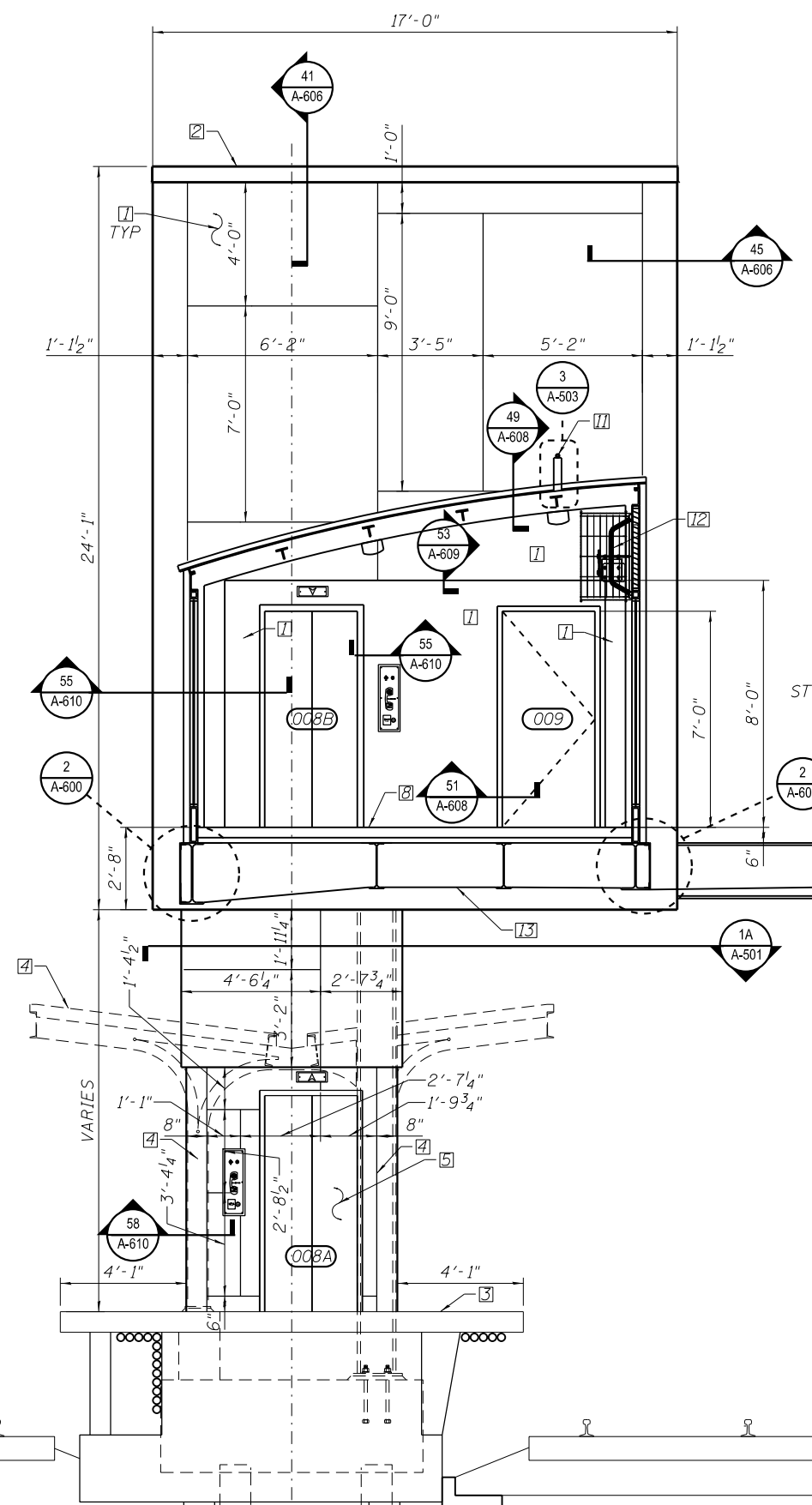


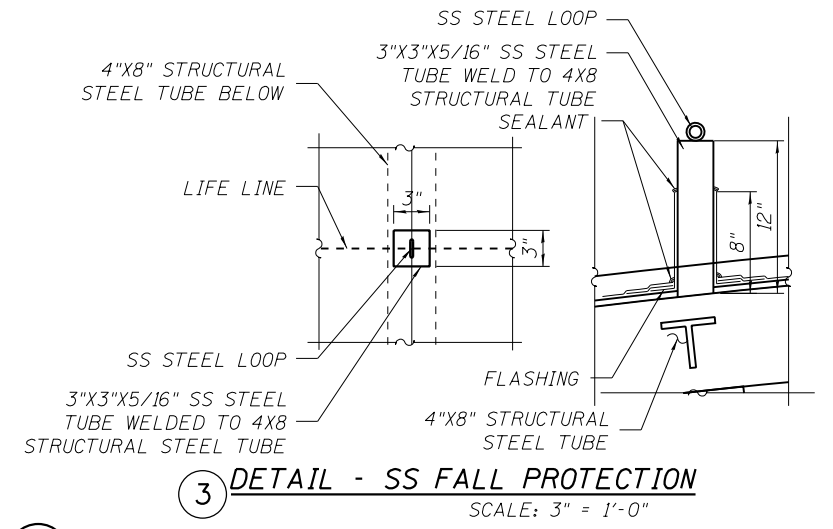
- KEY NOTES:
1. INSULATED SS PANEL SYSTEM.
 2. STAINLESS STEEL COPING COVER.
 3. PLATFORM LEVEL.
 4. PLATFORM CANOPY STRUCTURE HIDDEN FOR CLARITY.
 5. ELEVATOR DOOR.
 6. STATION STRUCTURE HIDDEN FOR CLARITY.
 7. PENDANT MOUNTED LINEAR LIGHT FIXTURE.
 8. STATION LEVEL.
 9. NOT USED
 10. ROOF DRAIN PIPE.
 11. ROOF FALL PROTECTION.
 12. EXHAUST FAN - SEE MECHANICAL DWGS.
 13. BIRD SCREEN



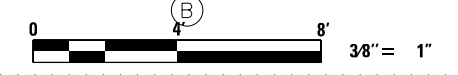
1 ELEVATOR - ELEVATION NORTH
SCALE: 3/8" = 1'-0"



2 ELEVATOR - ELEVATION EAST
SCALE: 3/8" = 1'-0"



3 DETAIL - SS FALL PROTECTION
SCALE: 3" = 1'-0"



4/3/2014 PM 01:01:08-60W29-A-503.dgn



USER NAME = whbruce	DESIGNED - WHB	REVISED - 1/20/2014
PLOT SCALE = 5:4.0007 ft:in / in.	CHECKED - CRR	REVISED -
PLOT DATE = 1/20/2014	DRAWN - WHB	REVISED -
	CHECKED - CRR	REVISED -

STATE OF ILLINOIS
DEPARTMENT OF TRANSPORTATION

PEORIA STREET STATION
EXTERIOR ELEVATOR ELEVATIONS

SHEET NO. A-503 OF 117 SHEETS

MUN	SECTION	COUNTY	TOTAL SHEETS	SHEET NO.
2090	2013-011R	COOK	356	245
CONTRACT NO. 60W29			ILLINOIS FED. AID PROJECT FED. AID PROJECT	