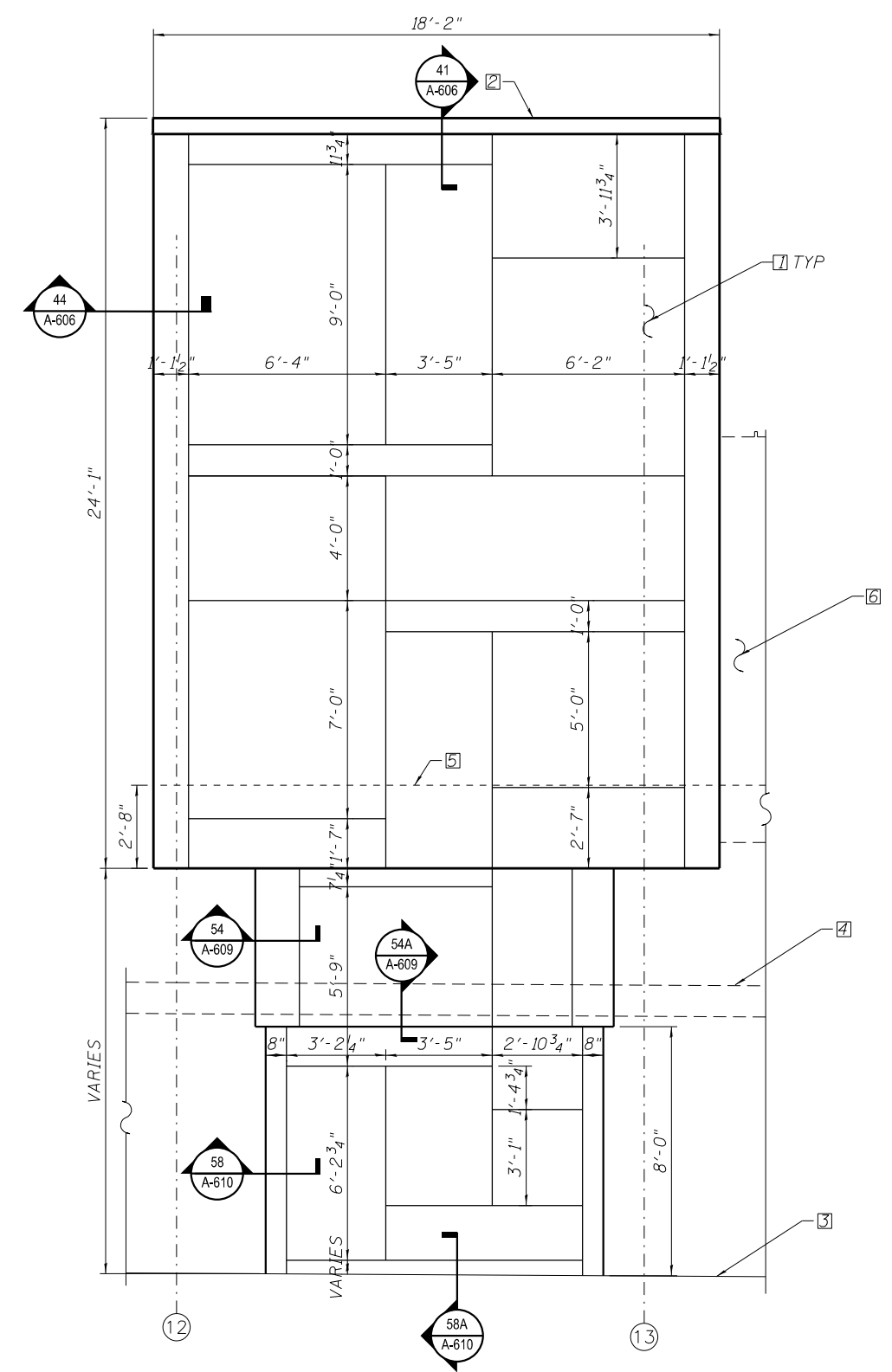
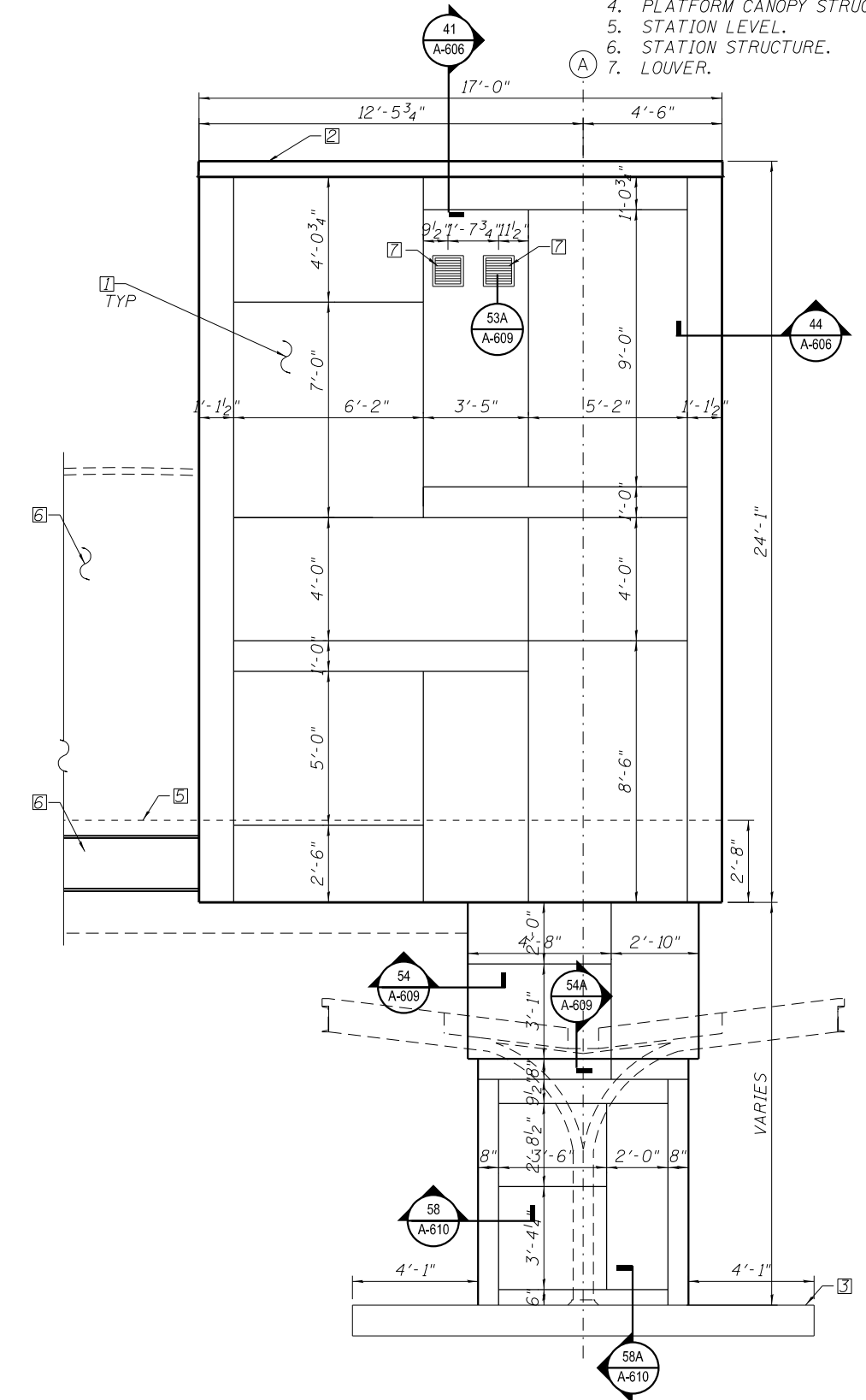


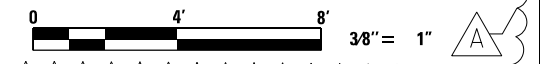
- KEY NOTES:
1. INSULATED ST. STL. PANEL SYSTEM.
  2. STAINLESS STEEL COPING COVER.
  3. PLATFORM.
  4. PLATFORM CANOPY STRUCTURE HIDDEN FOR CLARITY.
  5. STATION LEVEL.
  6. STATION STRUCTURE.
  7. LOUVER.



1 ELEVATOR - ELEVATION SOUTH  
SCALE: 3/8" = 1'-0"



2 ELEVATOR - ELEVATION WEST  
SCALE: 3/8" = 1'-0"



4:32:18 PM 0161708-60W29-A-504.dgn



USER NAME = whbruce	DESIGNED - WHB	REVISED - 1/20/2014
PLOT SCALE = 64:0.0006 in/in	CHECKED - CRR	REVISED -
PLOT DATE = 1/20/2014	DRAWN - WHB	REVISED -
	CHECKED - CRR	REVISED -

STATE OF ILLINOIS  
DEPARTMENT OF TRANSPORTATION

PEORIA STREET STATION  
EXTERIOR ELEVATOR ELEVATIONS

MUN	SECTION	COUNTY	TOTAL SHEETS	SHEET NO.
2090	2013-011R	COOK	356	245A
CONTRACT NO.			60W29	
ILLINOIS FED. AID PROJECT FED. AID PROJECT				

SHEET NO. A-504 OF 117 SHEETS