

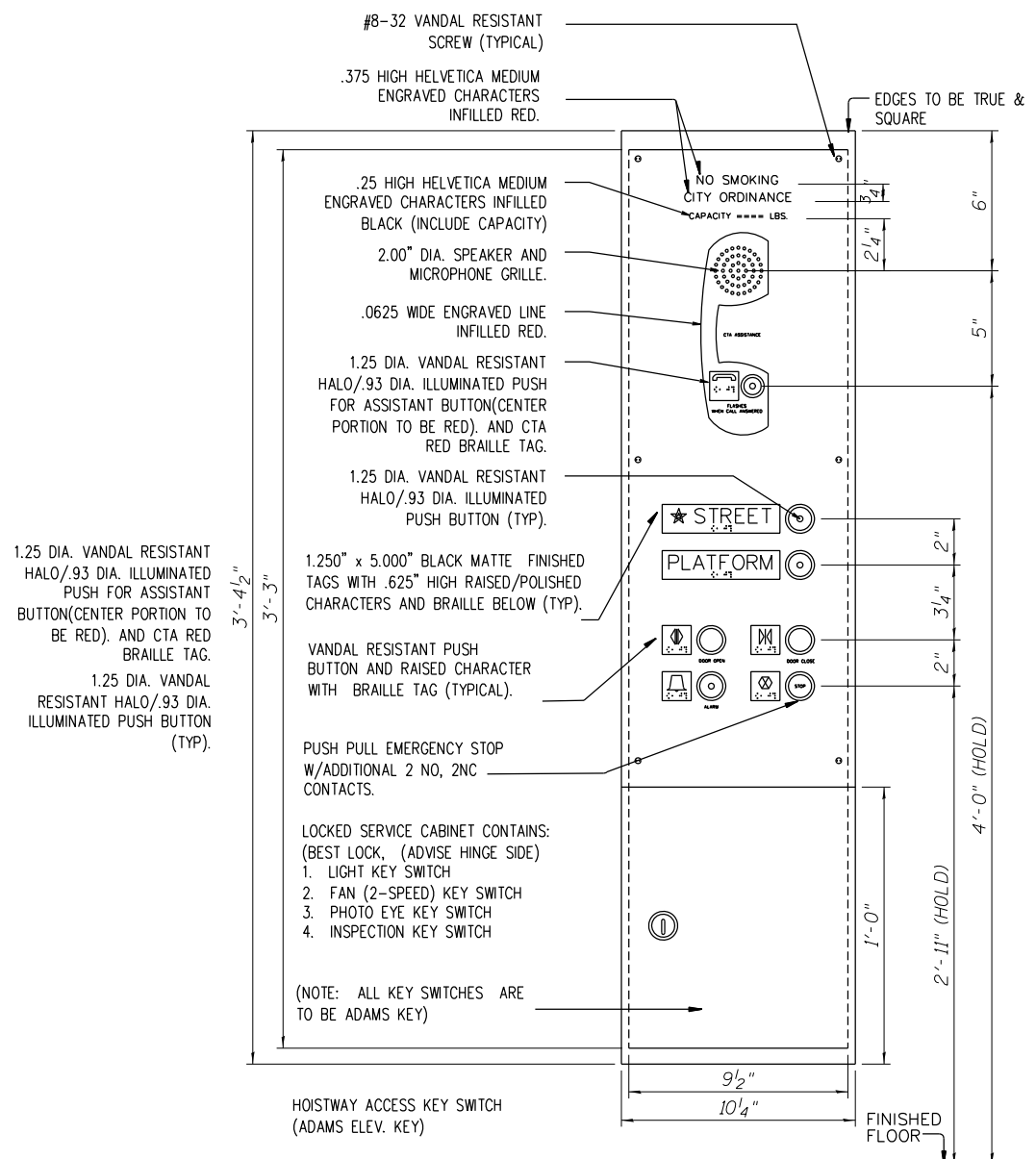
7 CAB INTERIOR ELEVATION
SCALE: 1/2" = 1'-0"

8 CAB INTERIOR ELEVATION
SCALE: 1/2" = 1'-0"

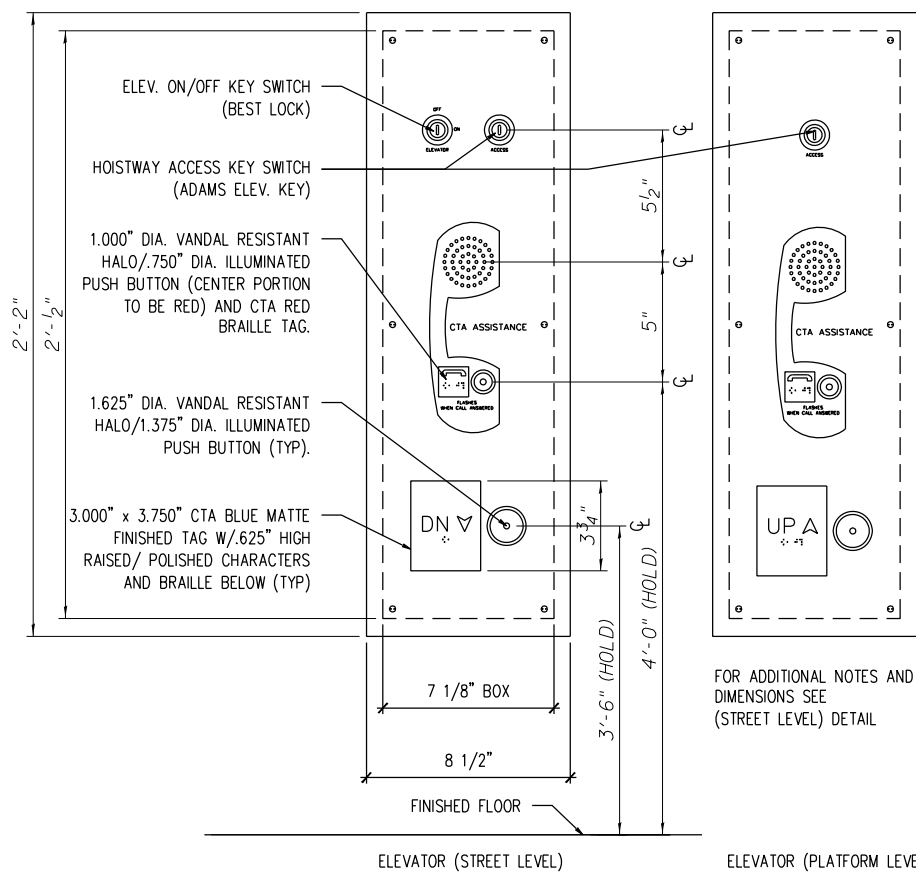
9 CAB INTERIOR ELEVATION
SCALE: 1/2" = 1'-0"

10 CAB INTERIOR ELEVATION
SCALE: 1/2" = 1'-0"

10 CAB REFLECTED CEILING PLAN
SCALE: 1/2" = 1'-0"

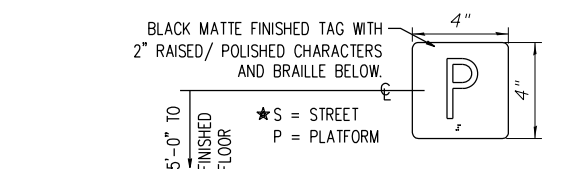


1 CAB CONTROL STATION PANEL
SCALE: 3" = 1'-0"

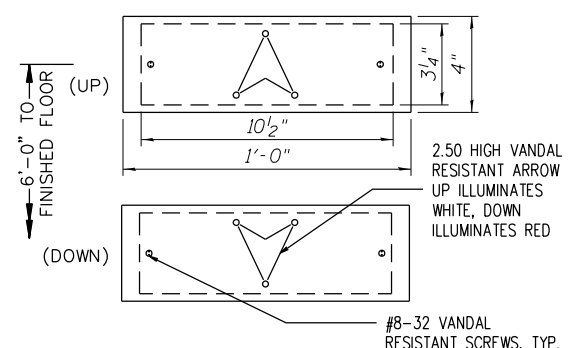


2 HALL CALL STATION
SCALE: 3" = 1'-0"

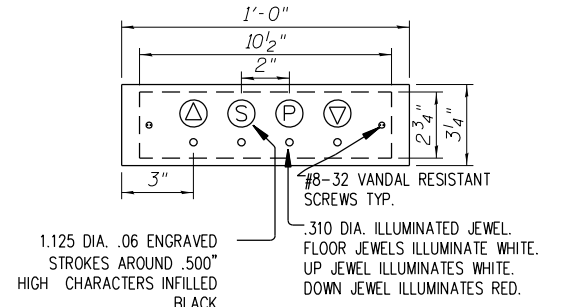
3 HALL CALL STATION
SCALE: 3" = 1'-0"



6 JAMB TAG
SCALE: 3" = 1'-0"

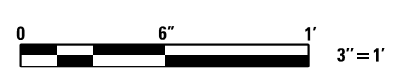


5 HALL LANTERN
SCALE: 3" = 1'-0"



4 CAB POSITION INDICATOR W/CHIME
SCALE: 3" = 1'-0"

- GENERAL NOTES**
1. CTA COLORS ARE AS FOLLOWS: CTA BLUE IS EQUAL TO PANTONE 299 AND CTA RED IS EQUAL TO PANTONE 186.
 2. FACE PANEL TO BE 18 GA. STAINLESS STEEL, #4 FINISH WITH VERTICAL GRAIN.
 3. ALL EDGES TO BE TRUE AND SQUARE.
 4. PROVIDE GONG TO SOUND ARRIVAL AT FLOOR.



4/3/15 PM 0161708-60W29-A-704.dgn



USER NAME = whbruce	DESIGNED - WHB	REVISED - 1/20/2014
PLOT SCALE = 48:0.0001 In/in / In.	CHECKED - CRR	REVISED -
PLOT DATE = 1/20/2014	DRAWN - WHB	REVISED -
	CHECKED - CRR	REVISED -

**STATE OF ILLINOIS
DEPARTMENT OF TRANSPORTATION**

**PEORIA STREET STATION
ELEVATOR CONTROL DETAILS**

MUN 2090	SECTION 2013-011R	COUNTY COOK	TOTAL SHEETS 356	SHEET NO. 259
CONTRACT NO. 60W29			ILLINOIS FED. AID PROJECT FED. AID PROJECT	

SHEET NO. A-704 OF 117 SHEETS