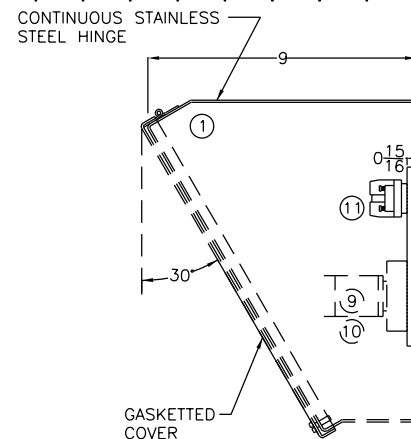


FRONT VIEW



SIDE VIEW

**1 REMOTE KIOSK PANEL**  
SCALE: NTS

BILL OF MATERIAL

ITEM NO.	QTY.	MANUFACTURER & CATALOG #	DESCRIPTION
1	1	IL SWITCHBOARD-BY DESCRIPTION	GASKETTED CONSOLE STYLE ENCLOSURE SIMILAR TO HOFFMANN C-12C16 EXCEPT MADE FROM 304 STAINLESS STEEL BRUSH FINISH
2	6	EATON #10250T297LRP2A *	FULL VOLTAGE PUSH TO TEST INDICATING LIGHT WITH RED LENS AND RED LED
3	1	EATON #10250T297LGP2A *	FULL VOLTAGE PUSH TO TEST INDICATING LIGHT WITH GREEN LENS AND GREEN LED
4	1	EATON #10250T297LAP2A *	FULL VOLTAGE PUSH TO TEST INDICATING LIGHT WITH AMBER LENS AND AMBER PUSH TO TEST
5	1	EATON #10250T3011&10250T53 *	BLACK LEVER OPERATED 2 POSITION SELECTOR SWITCH 1 N.O. CONTACT BLOCK
6	1	EATON #10250T101&10250T53 *	BLACK PUSH BUTTON OPERATOR 1 N.O. CONTACT BLOCK
7	1	EATON #10250T101&10250T51 *	BLACK PUSHBUTTON OPERATOR 1 N.C. CONTACT BLOCK
8	1	MALLORY #SC110R *	SONALERT ALARM BUZZER CONTINUOUS TONE 120V AC 80dB
9	3	SQD #8501NR61 *	11 PIN SOCKET DIN RAIL MOUNT
10	3	SQD #RUMC3AB2F7 *	3 PDT RELAY FULL FEATURE 120 VOLT AC COIL
11	3	SQD #RUZC200 *	RELAY HOLD DOWN CLIP
12	11	USD #NSS3 *	3 POINT 30 AMP 600 VOLT, SCREW TYPE TERMINAL BLOCK

\* OR APPROVED EQUAL  
ALL CONTROL WIRING AWG #14 TYPE SIS  
ASSEMBLY TO BEAR UL INDUSTRIAL CONTROL LABEL

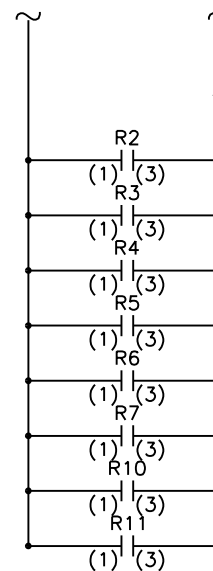
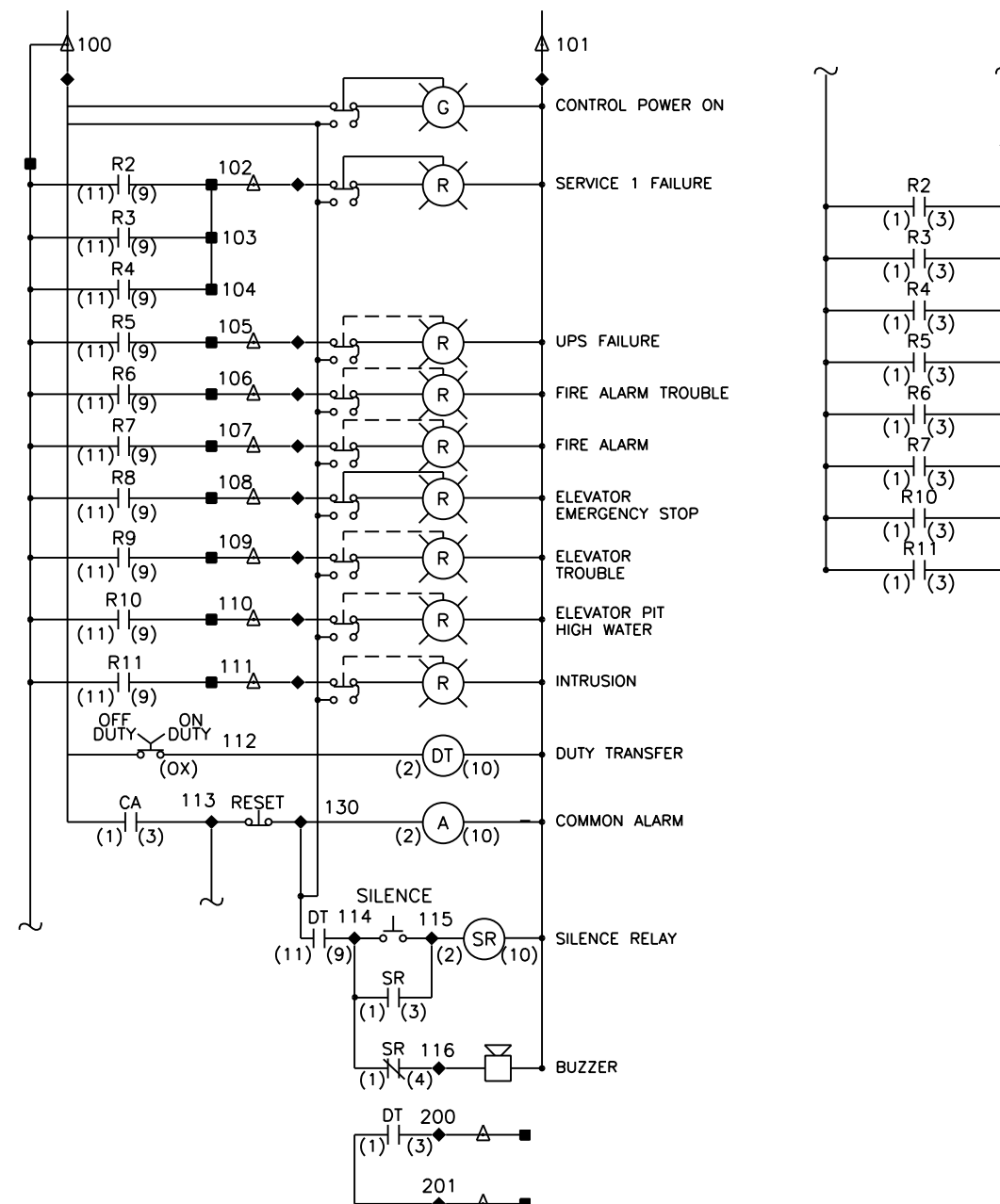
NAMEPLATES

NAME PLATE	ENGRAVING
NP 1	LINE 1 CONTROL POWER AVAILABLE
	LINE 2
NP 2	LINE 1 SERVICE 1 FAILURE
	LINE 2
NP 3	LINE 1 FIRE ALARM TROUBLE
	LINE 2
NP 4	LINE 1 FIRE ALARM
	LINE 2
NP 5	LINE 1 ELEVATOR PIT HIGH WATER
	LINE 2
NP 6	LINE 1 INTRUSION
	LINE 2
NP 7	LINE 1 ELEVATOR EMERGENCY STOP
	LINE 2
NP 8	LINE 1 ELEVATOR TROUBLE
	LINE 2
NP 9	LINE 1 ON OFF DUTY DUTY
	LINE 2
NP 10	LINE 1 ALARM RESET
	LINE 2
NP 11	LINE 1 ALARM SILENCE
	LINE 2
NP 12	LINE 1 COMMON ALARM
	LINE 2

NAMEPLATES 1" X 2" WHITE WITH BLACK 1/8" LETTERS  
ATTACHED WITH STAINLESS STEEL HARDWARE

NOTES:

1. REFER TO SHEET 282 FOR ITC AND RCP WIRING REQUIREMENTS.



5940 West Touhy Avenue, Suite 210, Niles, IL 60714  
Phone: 847-647-9300 • Fax: 847-647-4710



USER NAME = hab1b	DESIGNED -	REVISED - 12/18/2013
	CHECKED -	REVISED
PLOT SCALE = 10:8 " / in.	DRAWN -	REVISED
PLOT DATE = 12/17/2013	CHECKED -	REVISED

STATE OF ILLINOIS  
DEPARTMENT OF TRANSPORTATION

PEORIA STREET STATION  
ELECTRICAL REMOTE KIOSK PANEL

MUN	SECTION	COUNTY	TOTAL SHEETS	SHEET NO.
2090	2013-011R	COOK	356	274
CONTRACT NO.			60W29	

SHEET NO. E-122 OF 117 SHEETS

ILLINOIS FED. AID PROJECT

3:40:00 PM 274-60W29.dgn