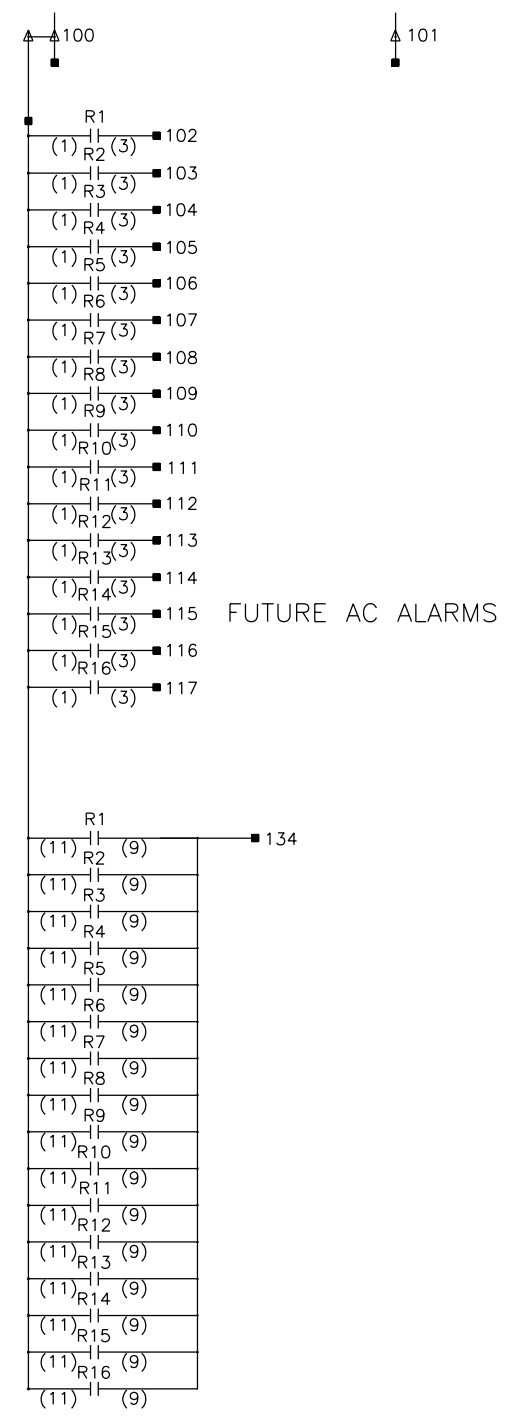
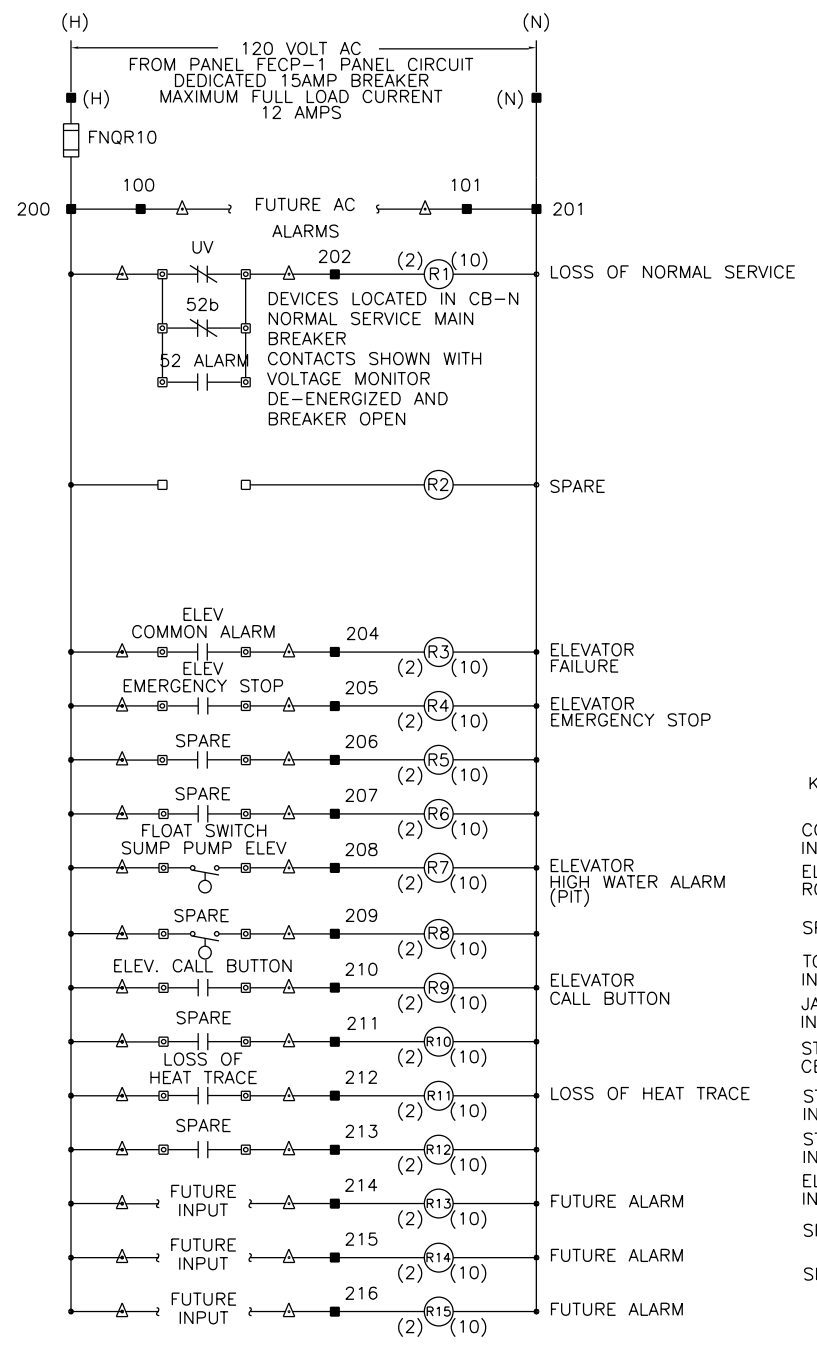


INTERFACE TERMINAL CABINET (ITC)

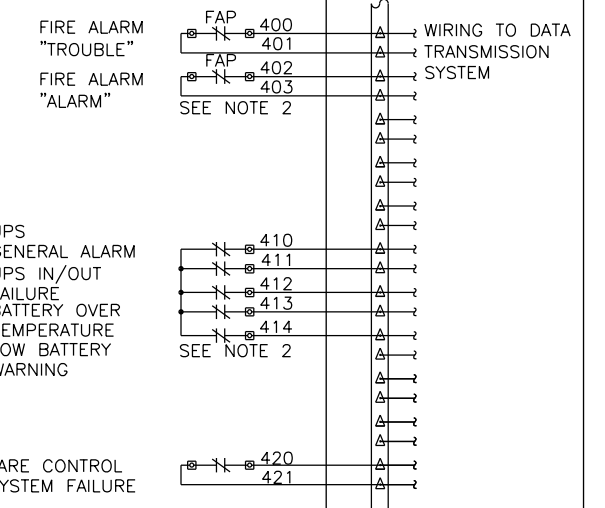
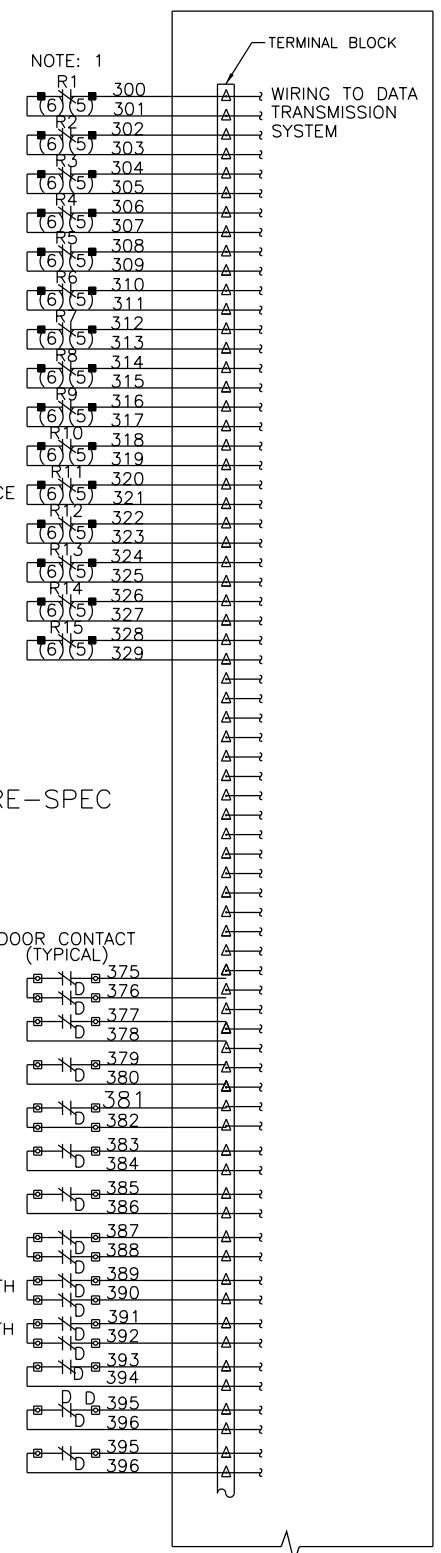


**1 RELAY CONTROL PANEL WIRING DIAGRAM**  
SCALE N/A



**2 ITC ALARM CONTACT WIRING DIAGRAM**  
SCALE N/A

- NOTE: 1
- LOSS OF NORMAL SERVICE
  - SPARE
  - ELEVATOR FAILURE
  - ELEVATOR EMERGENCY STOP
  - SPARE
  - SPARE
  - ELEVATOR HIGH WATER ALARM
  - SPARE
  - ELEVATOR CALL BUTTON
  - SPARE
  - LOSS OF HEAT TRACE
  - SPARE
  - FUTURE ALARM
  - FUTURE ALARM
  - FUTURE ALARM



- △ - TERMINAL IN INTERFACE TERMINAL COMPARTMENT
  - - TERMINAL OR DEVICE IN ALARM RELAY CONTROL PANEL
  - - TERMINAL AT RESPECTIVE REMOTE DEVICE
  - D - DOOR SWITCH CONTACT (INTRUSION ALARM)
- CONTROL PANEL TO HAVE  
U/L 508 INDUSTRIAL CONTROL LABEL

- NOTES:**
1. MAXIMUM CONTACT RATING 120 VOLT AC, 10 FULL LOAD AMPS  
MAKE: 1200 VA  
BREAK: 360 VA  
CIRCUIT BREAKER OR FUSED DISCONNECT AS REQUIRED BY NEC.
  2. CONFIRM THAT FIRE ALARM AND UPS CONTACTS ARE NORMALLY CLOSED AND OPEN ON ALARM OR FAULT.
  3. ITC CABINET AND RELAY PANEL ARE LOCATED IN ELECTRICAL ROOM.
  4. CONNECT ALL RELAY NC & NO CONTACTS TO ITC PANEL.
  5. WIRING FROM TERMINALS IN ITC CABINET TO TERMINALS IN RCP PANEL AND FIELD WIRING FROM REMOTE DEVICES TO ITC CABINET OR RCP PANEL TO BE #14 AWG IN 3/4" CONDUIT.



USER NAME = habib	DESIGNED -	REVISED
	CHECKED -	REVISED
PLOT SCALE = 0.2' in / in.	DRAWN -	REVISED
PLOT DATE = 10/28/2013	CHECKED -	REVISED

**STATE OF ILLINOIS  
DEPARTMENT OF TRANSPORTATION**

**PEORIA STREET STATION  
CONTROL DIAGRAMS ITC AND RCP PANELS**

PRELIMINARY NOT FOR CONSTRUCTION				
MUN	SECTION	COUNTY	TOTAL SHEETS	SHEET NO.
2090	2013-011R	COOK	356	282
CONTRACT NO.			60W29	

8/10/12 PM 282-60W29.dgn