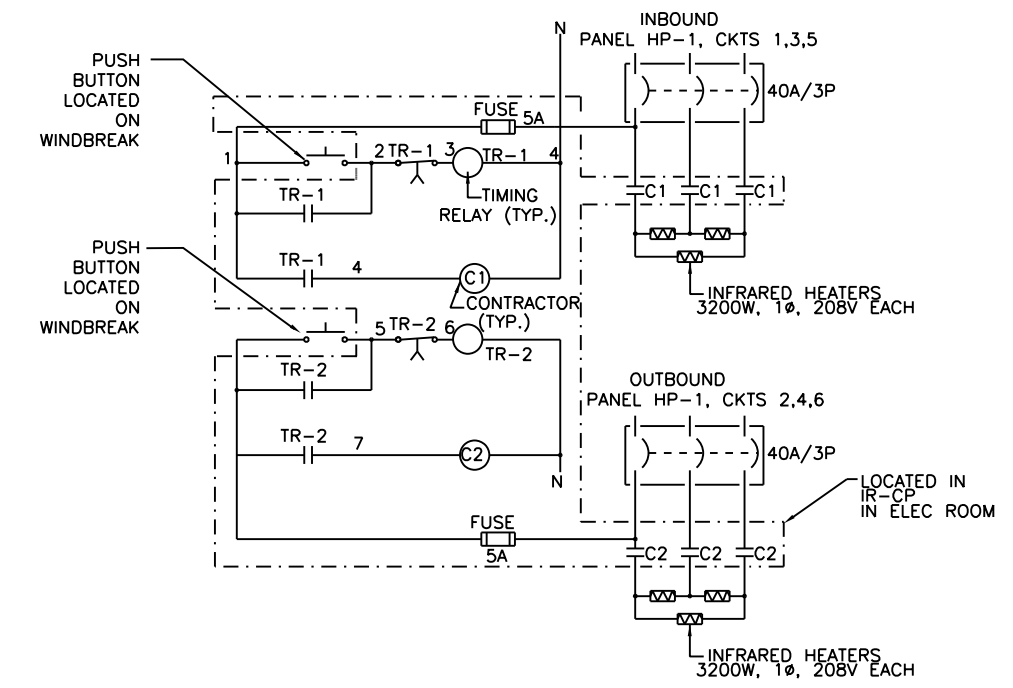


NAME PLATES				
1	2	3	4	5
○	○	○	\$	\$
PUSH BUTTON	PUSH BUTTON	PUSH BUTTON	SWITCH	SWITCH

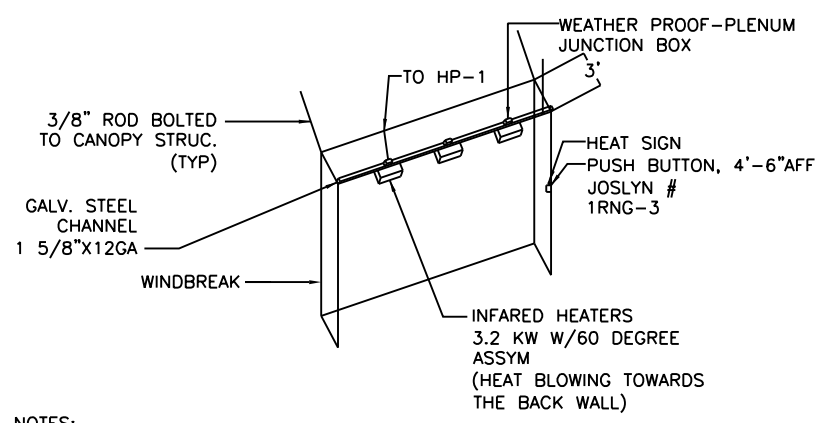
NAME PLATES		
1	SPARE	(N)
2	SPARE	(C)
3	TURNSTYLE HEATER	(S)
4	EX FAN	
5	LIGHT	

2 IN KIOSK CONTROL STATION  
SCALE N/A



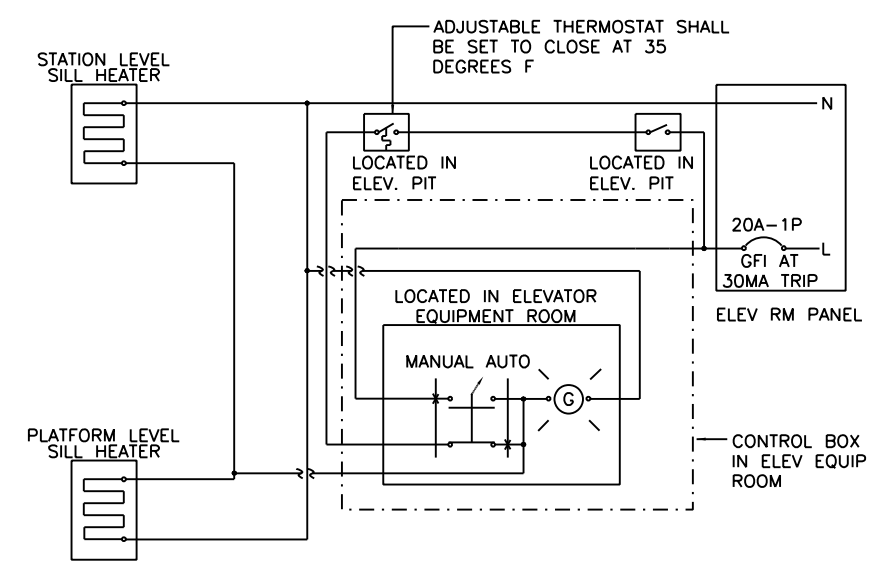
3 PLATFORM WINDBREAK HEATER CONTROL DIAGRAM  
SCALE N/A

1 STATION HEATER CONTROL DIAGRAM  
SCALE N/A



NOTES:  
A. INSTALLATION SHOWN IS DIAGRAMATIC. COORDINATE WITH EXISTING FIELD CONDITIONS.

4 TYPICAL PLATFORM WINDBREAK HEATER INSTALLATION  
SCALE N/A



5 ELEVATOR DOOR SILL FREEZE PROTECTION - WIRING DIAGRAM (TYP.)  
SCALE N/A