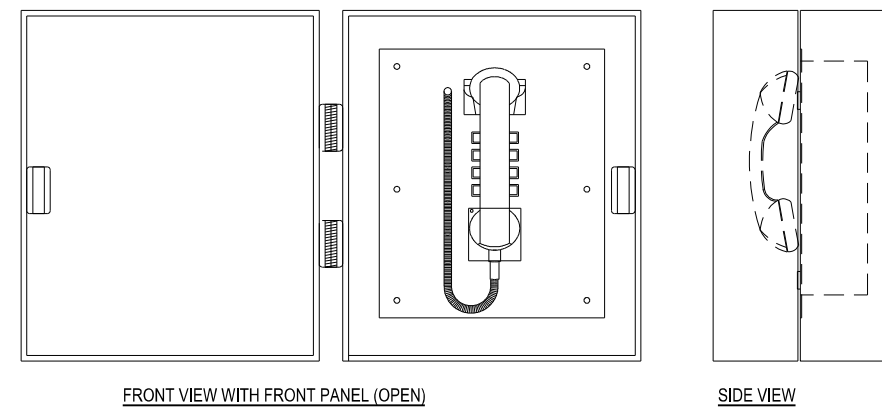


**NOTES:**

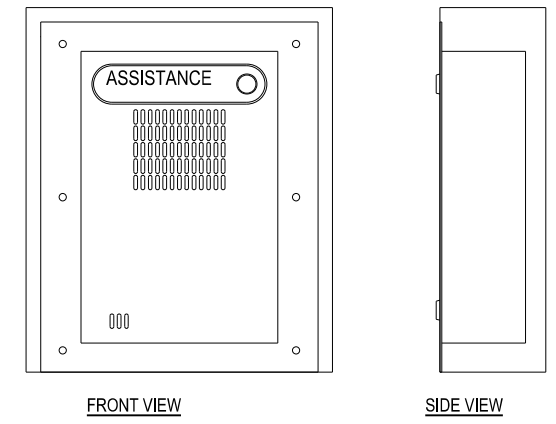
1. SIGN DETAIL LOCATED ABOVE HELP POINT TELEPHONE \*UNLESS NOTED OTHERWISE\*.



FRONT VIEW WITH FRONT PANEL (OPEN)

SIDE VIEW

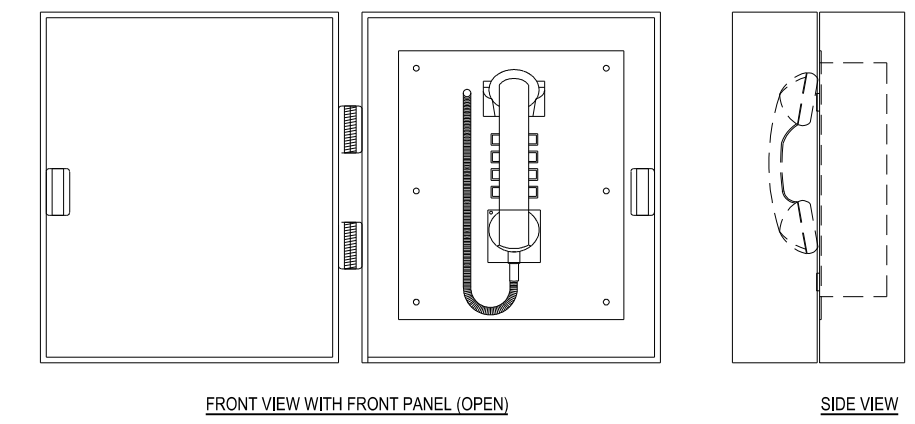
1 TYPE 4 - HELP POINT TELEPHONE  
NTS



FRONT VIEW

SIDE VIEW

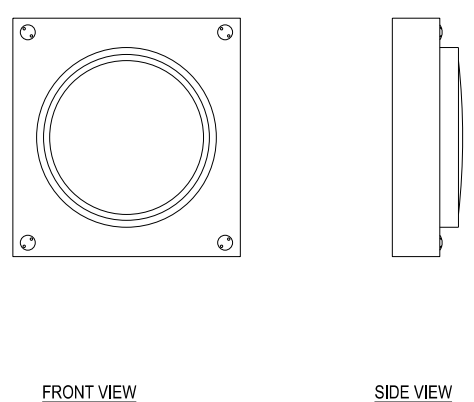
2 TYPE 4 - CUSTOMER ASSISTANCE INTERCOM  
NTS



FRONT VIEW WITH FRONT PANEL (OPEN)

SIDE VIEW

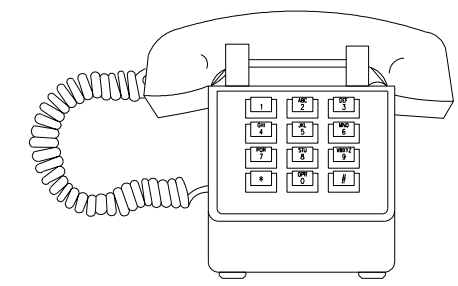
3 TYPE 5 - FARE AREA TELEPHONE  
NTS



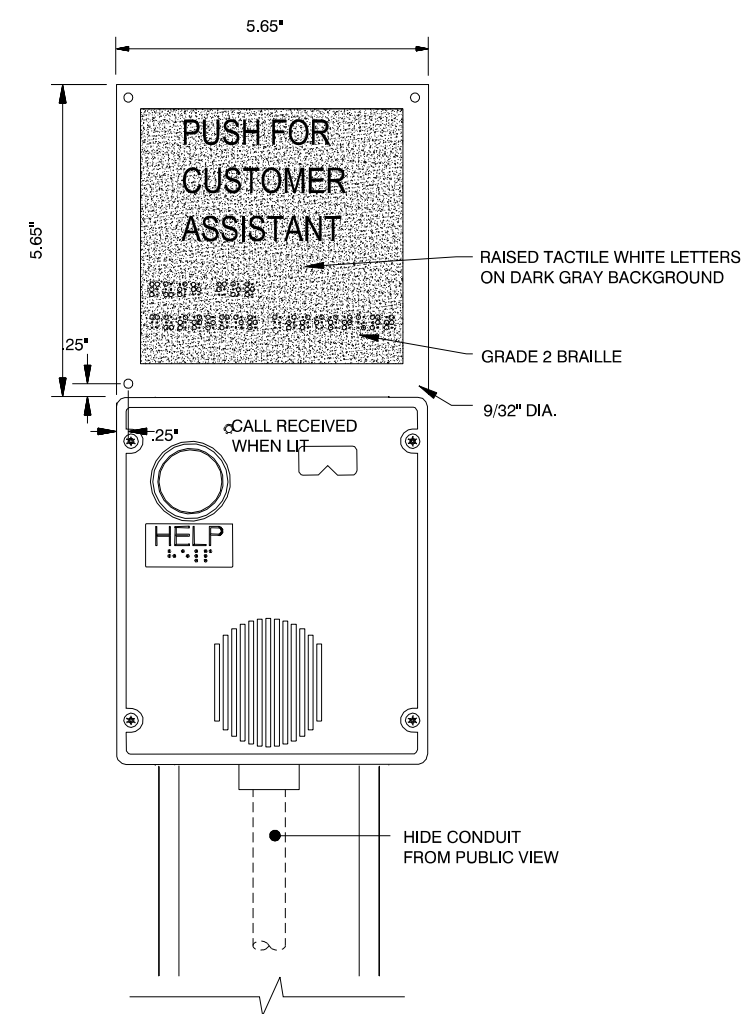
FRONT VIEW

SIDE VIEW

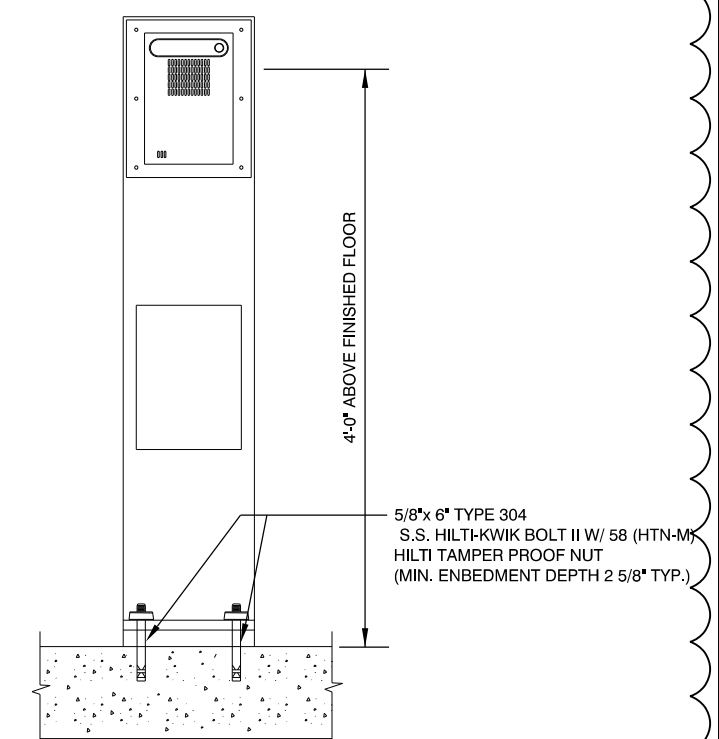
4 CUSTOMER ASSISTANCE BUTTON  
NTS



5 TYPE 3 - INDOOR TELEPHONE  
NTS



6 TYPE 4 - HELP POINT TELEPHONE INSTALLATION  
NTS



7 TYPE 4 - CUSTOMER ASSIST STATION CONCRETE  
INSTALLATION  
NTS

**AAA ENGINEERING**  
WBE/DBE CERTIFIED  
5940 West Touhy Avenue, Suite 210, Niles, IL 60714  
Phone: 847-647-9300 • Fax: 847-647-4710



USER NAME = habib	DESIGNED -	REVISED -
	CHECKED -	REVISED -
PLOT SCALE = 2.0000 / in.	DRAWN -	REVISED -
PLOT DATE = 12/17/2013	CHECKED -	REVISED -

**STATE OF ILLINOIS**  
**DEPARTMENT OF TRANSPORTATION**

**PEORIA STREET STATION**  
**COMMUNICATION EQUIPMENT DETAILS PART 2**

SHEET NO. T-402F 117 SHEETS

MUN	SECTION	COUNTY	TOTAL SHEETS	SHEET NO.
2090	2013-011R	COOK	356	308
CONTRACT NO.			60W29	

ILLINOIS FED. AID PROJECT

4:01:58 PM 308-60W29.dgn