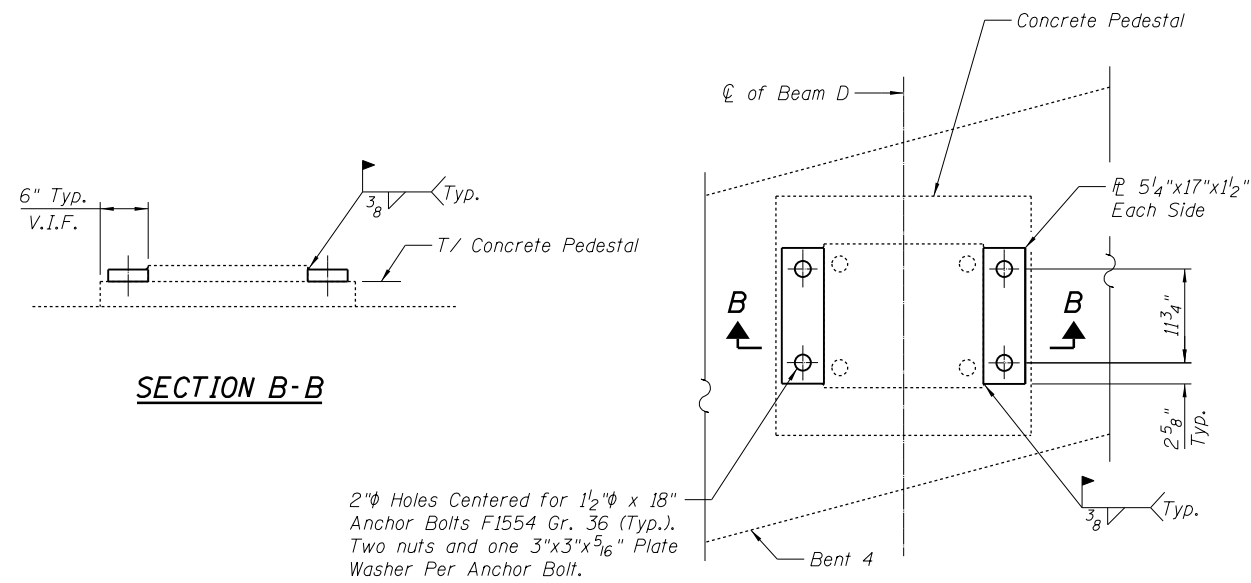


DETAIL 23

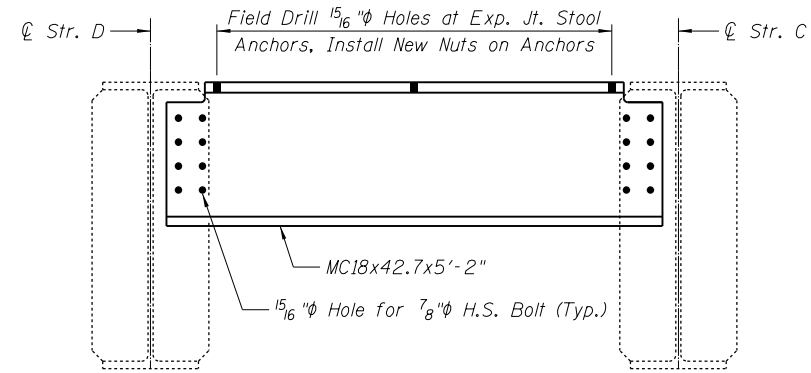
Span 10 West Tie @ West End of FB. 10 (Looking South - Opposite Hand)
 Span 11 West Tie @ West End of FB. 9 (Looking North)
 Span 11 West Tie @ West End of FB. 4 (Looking North)



SECTION B-B

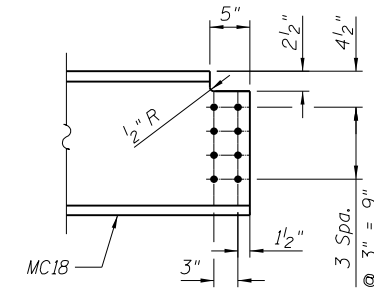
DETAIL 26

Bent 4 @ Beam D

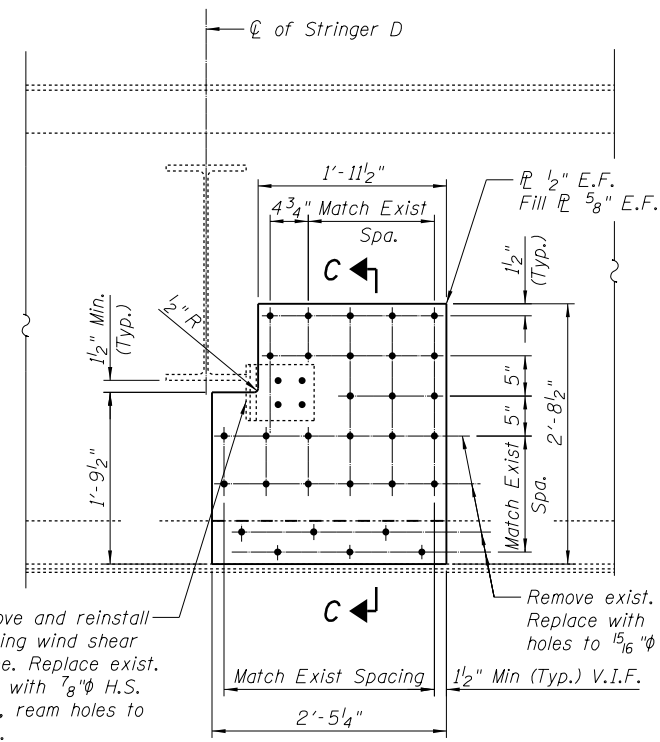


DETAIL 24

Span 22 Diaphragm Between Str. C & Str. D Over Bent 16 (Looking North)

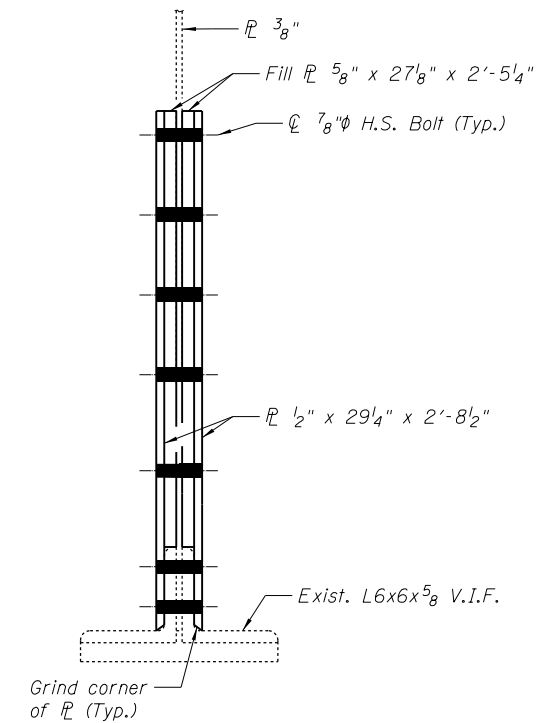


DIAPHRAGM END DETAIL



DETAIL 25

Span 9 Floorbeam 2 @ Str. D (Looking North)



SECTION C-C

FILE NAME = I:\Projects\4015550\4015550-081-90-001-90-CAD Models and Sheets\04_CJ_Bridge\081-90-05-64H28-017-Details 7.dgn



USER NAME = pottrjm	DESIGNED - MJK	REVISED
PLOT SCALE = 2:0.0000 '1' / in.	CHECKED - JAN	REVISED
PLOT DATE = 1/21/2014	DRAWN - MJK/KK	REVISED
	CHECKED - JAN	REVISED

STATE OF ILLINOIS
DEPARTMENT OF TRANSPORTATION

STRUCTURAL STEEL REPAIR DETAILS, SHEET 7
STRUCTURE NO. 081-9905

SHEET NO. 18 OF 33 SHEETS

F.A.P. RTE.	SECTION	COUNTY	TOTAL SHEETS	SHEET NO.
308	(3BRM)	ROCK ISLAND	47	31
C-92-090-12		CONTRACT NO. 64H28		
ILLINOIS FED. AID PROJECT				