

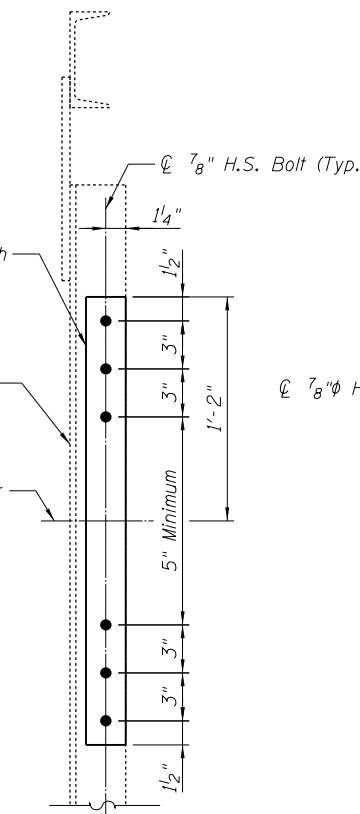
DETAIL 27

Span 10 Lateral Bracing Hanger @ Midspan of Panel 4

2-2 1/2" x 3/8" x 2'-4" PL. One Each Side, Twist to match existing angle

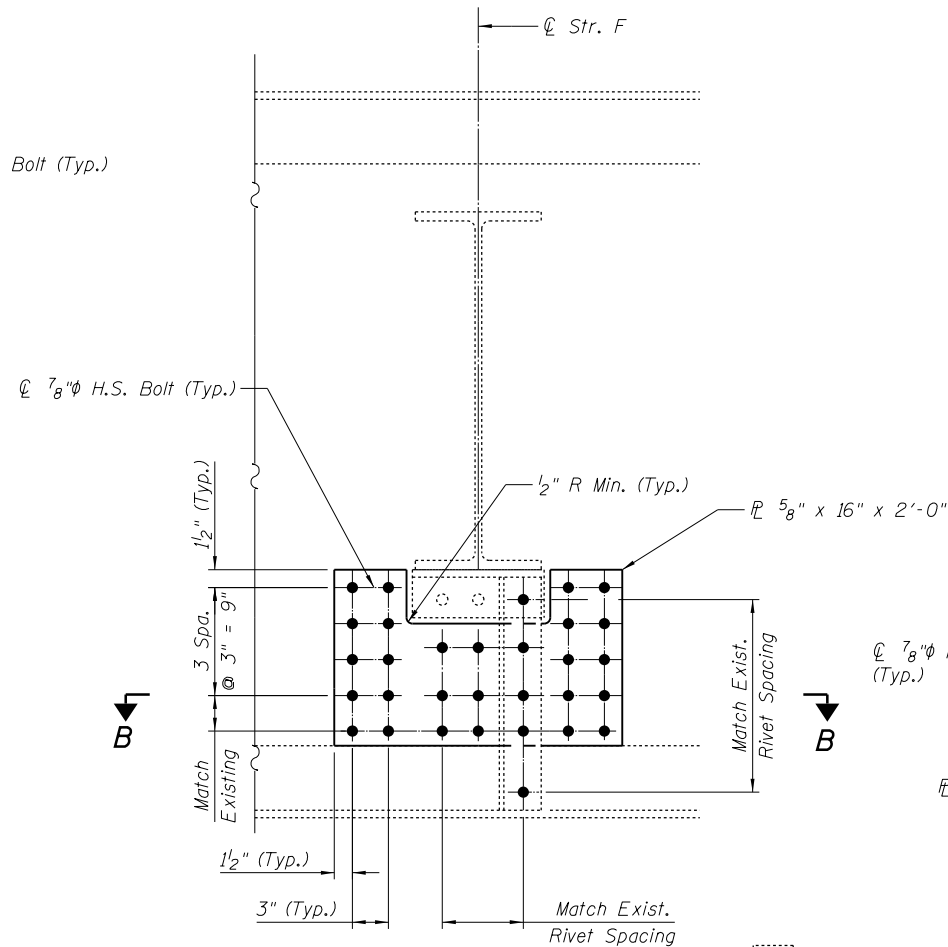
Exist. L 3 1/2" x 3 1/2" x 3/8" Lateral Brace Support

∅ Hole in Hanger



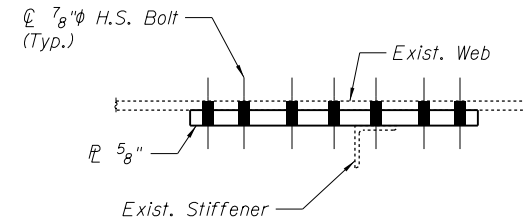
DETAIL 27B

Span 9 Lateral Bracing Hanger @ Midspan of Panel 11 between Stringers C & D

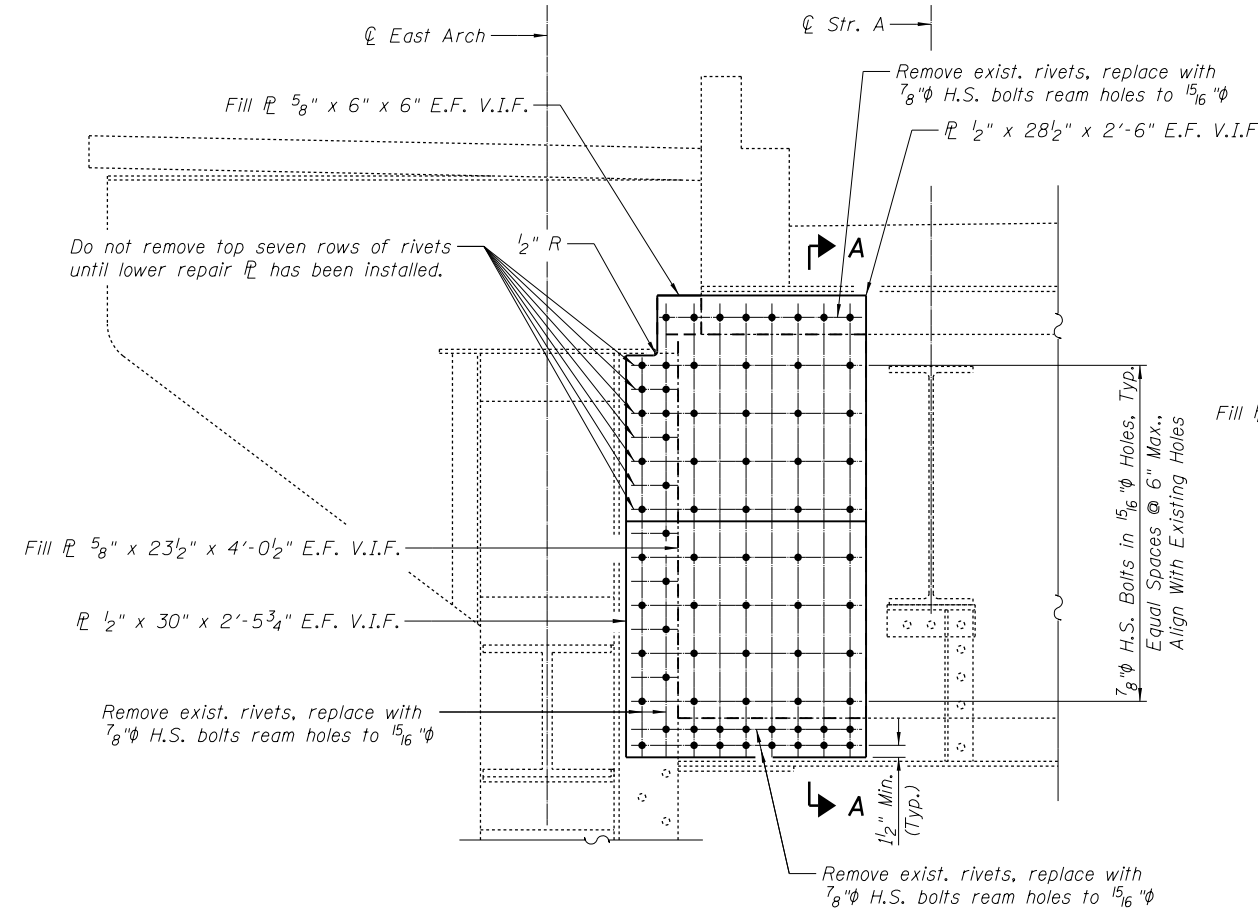


DETAIL 28

Span 12 Floorbeam 0 @ Str. F (Looking North)

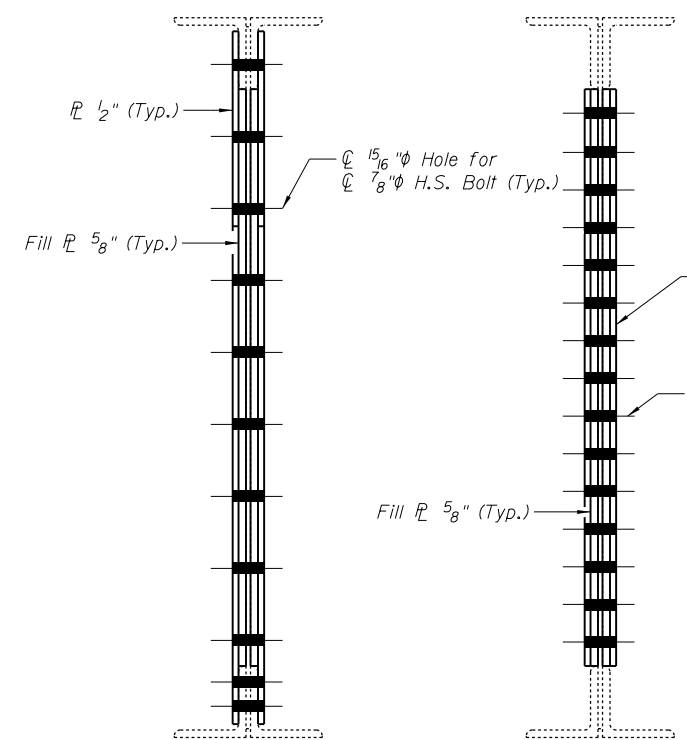


SECTION B-B



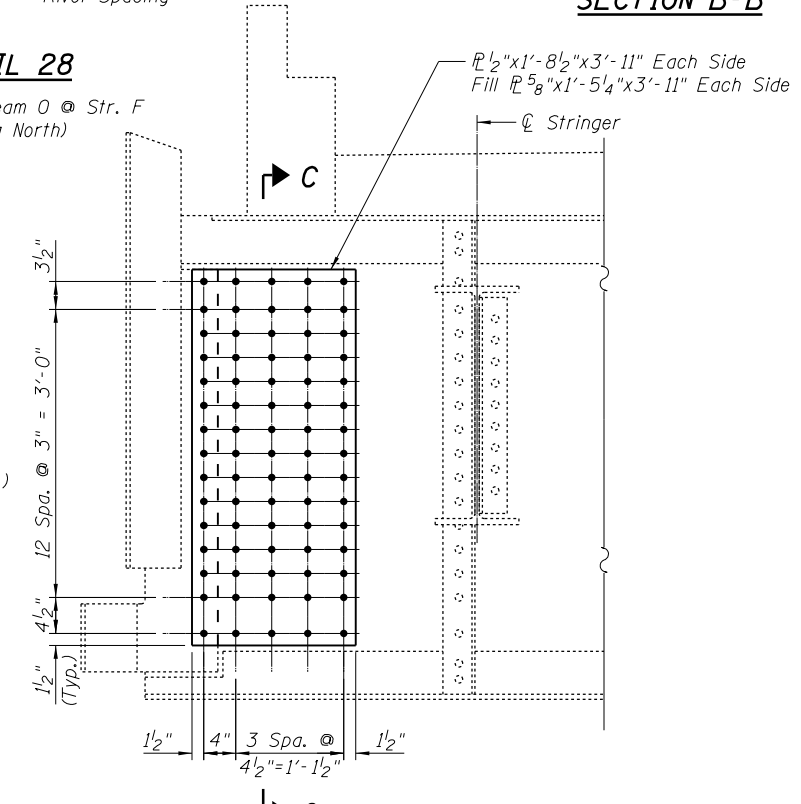
DETAIL 29

Span 9 Floorbeam 11 @ East End (Looking South)
Span 12 Floorbeam 11 @ East End (Looking South)



SECTION A-A

SECTION C-C



DETAIL 29B

Span 10 Floorbeam 1 @ East End (Looking South)
Span 12 Floorbeam 10 @ West End (Looking North)
Span 13 Floorbeam 8 @ West End (Looking North)

I:\Projects\4015550\4015550-0001-90-CAD Models and Sheets\04_CJ_Bridge\081508-64428-017A-Details_8.dgn



USER NAME = pottrjm	DESIGNED - MJK	REVISED
PLOT SCALE = 2:0.0000 '1' / in.	CHECKED - JAN	REVISED
PLOT DATE = 1/24/2014	DRAWN - MJK/KK	REVISED
	CHECKED - JAN	REVISED

STATE OF ILLINOIS
DEPARTMENT OF TRANSPORTATION

STRUCTURAL STEEL REPAIR DETAILS, SHEET 8
STRUCTURE NO. 081-9905

SHEET NO. 19 OF 33 SHEETS

F.A.P. R.E.	SECTION	COUNTY	TOTAL SHEETS	SHEET NO.
308	(3BRM)	ROCK ISLAND	47	32
C-92-090-12		CONTRACT NO. 64H28		
ILLINOIS FED. AID PROJECT				