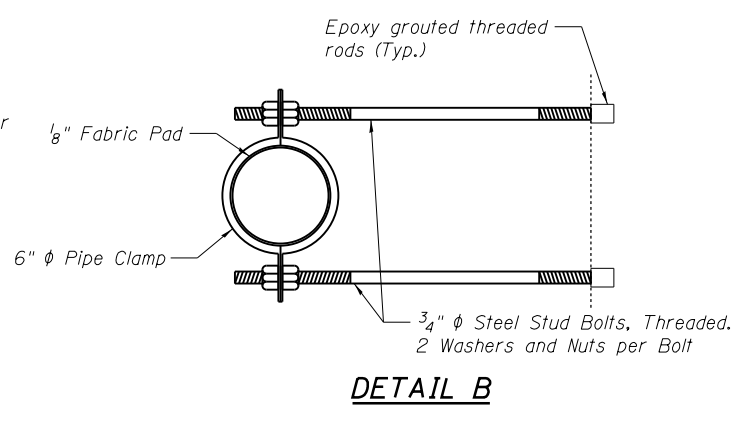
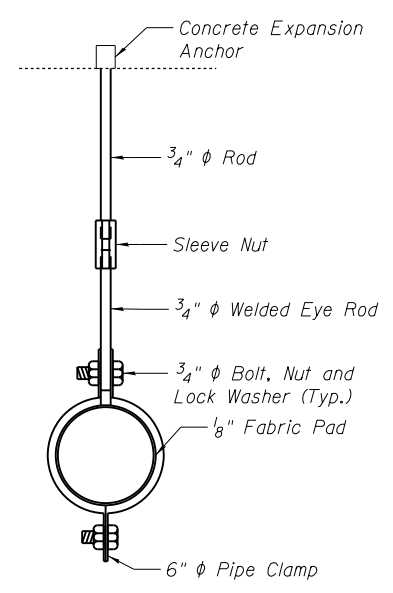


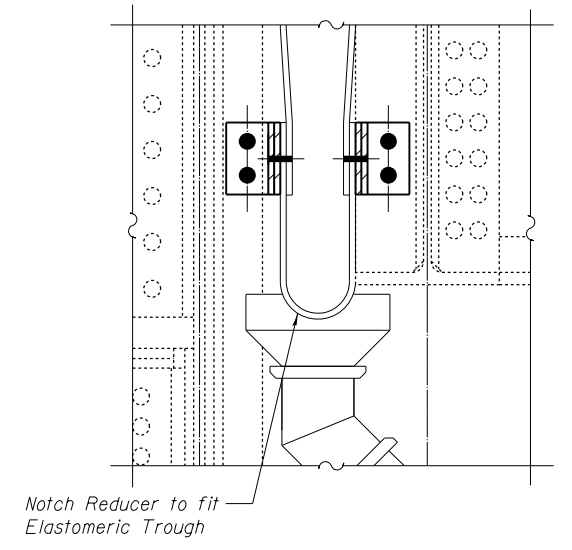
DRAIN PIPE PLAN
Pier 1 Shown, Pier 6 Opposite



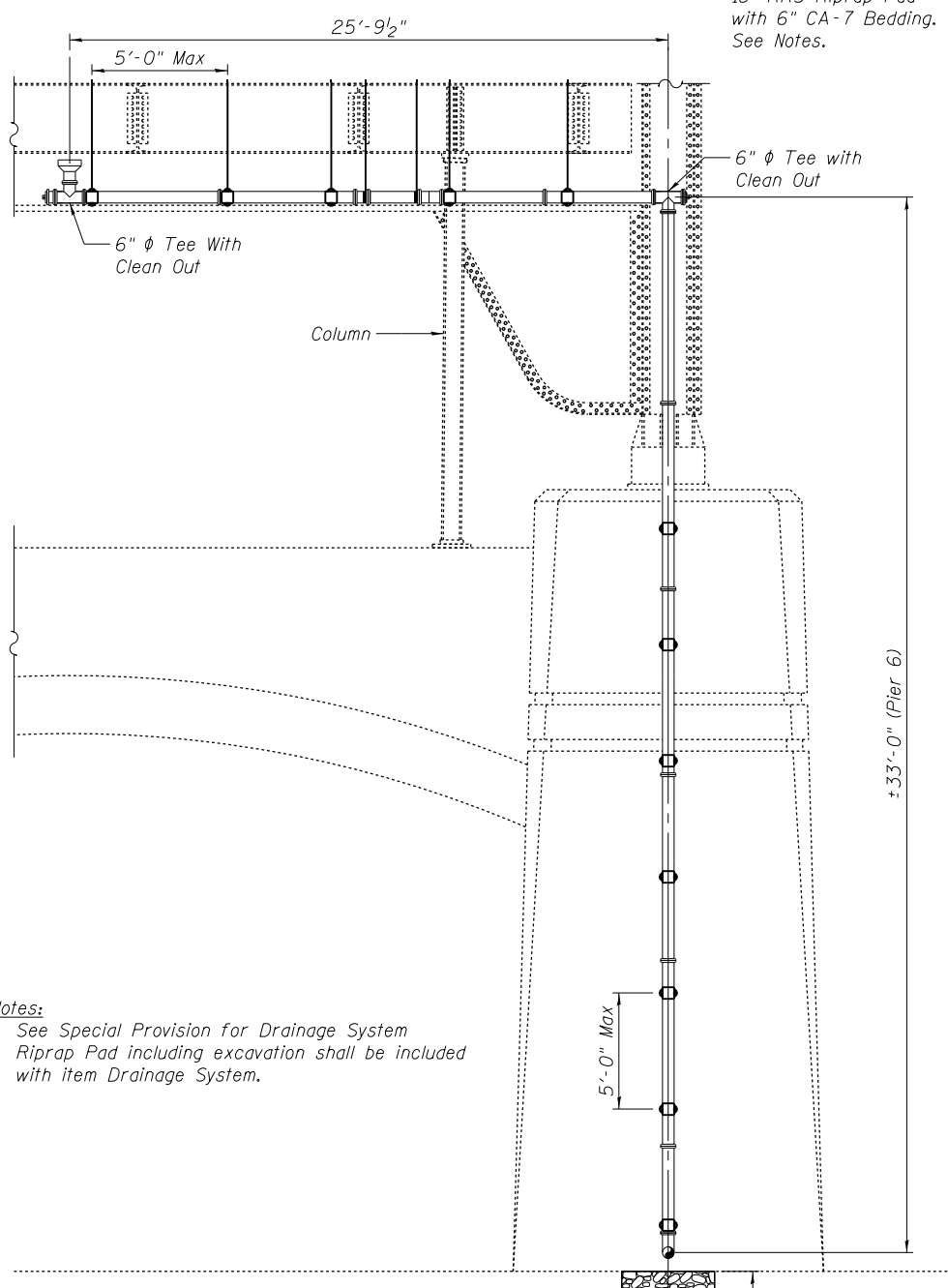
DETAIL B



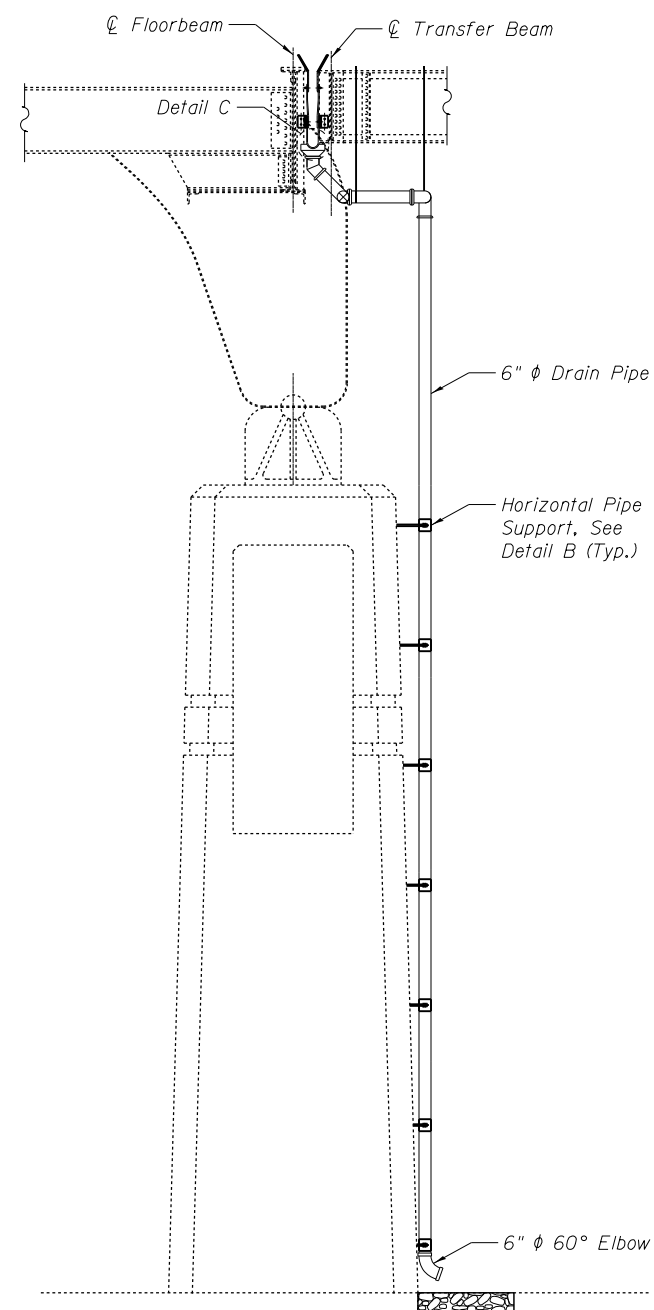
DETAIL A



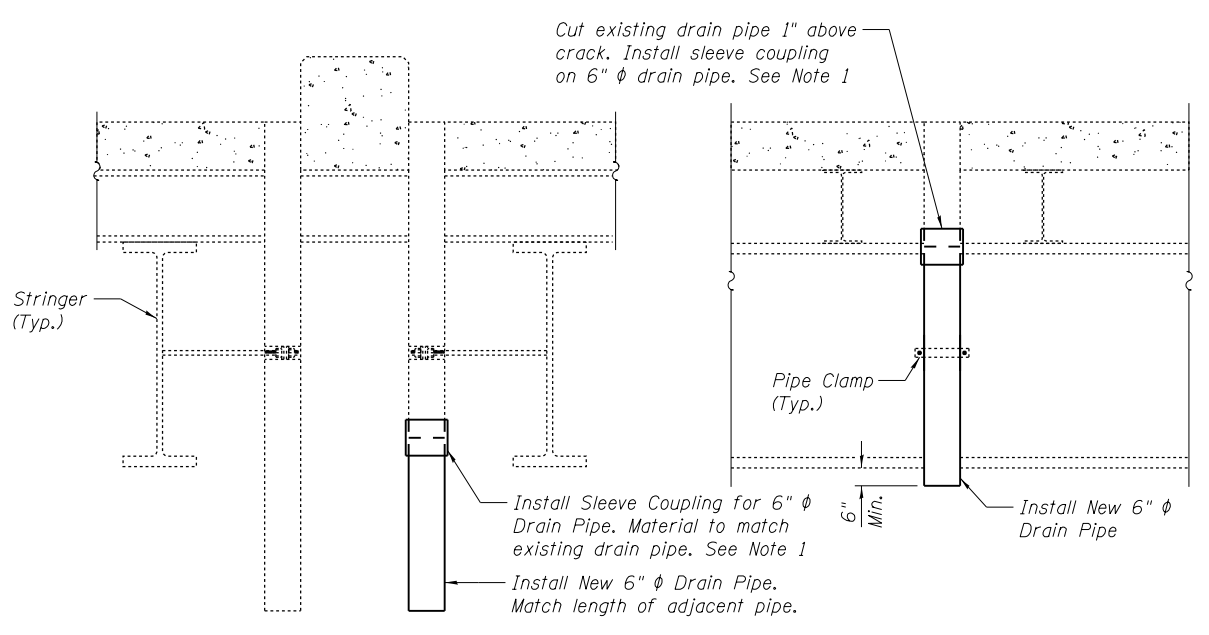
DETAIL C



VIEW A-A
Pier 1 - Looking North
Pier 6 - Looking South



SECTION B-B
Pier 1 - Looking East
Pier 6 - Looking West



DECK DRAIN REPAIR DETAIL
Span 12 Floorbeam 4, between Stringers C & D

DECK DRAIN REPAIR DETAIL
Span 11 2nd Drain South of Floorbeam 6

Notes:
1. Sleeve Coupling to be bonded to drain pipe with adhesive in accordance with manufacturers recommendations. Material to match drain pipe.
2. Costs for Deck Drain Repairs shall be included with item Drainage System.

Notes:
See Special Provision for Drainage System
Riprap Pad including excavation shall be included with item Drainage System.

FILE NAME = I:\Projects\4015550\4015550-081\90-CAD Models and Sheets\04_CJ_Bridge\0815905-64H28-025-Details 12.dgn



USER NAME = pottrjm	DESIGNED - JMP	REVISED
	CHECKED - SB	REVISED
PLOT SCALE = 20.0000 '1' / in.	DRAWN - JMP	REVISED
PLOT DATE = 1/24/2014	CHECKED - SB	REVISED

**STATE OF ILLINOIS
DEPARTMENT OF TRANSPORTATION**

**DRAINAGE SYSTEM DETAILS
STRUCTURE NO. 081-9905**

SHEET NO. 23 OF 33 SHEETS

F.A.P. RTE.	SECTION	COUNTY	TOTAL SHEETS	SHEET NO.
308	(3BRM)	ROCK ISLAND	47	36
C-92-090-12		CONTRACT NO. 64H28		
ILLINOIS FED. AID PROJECT				