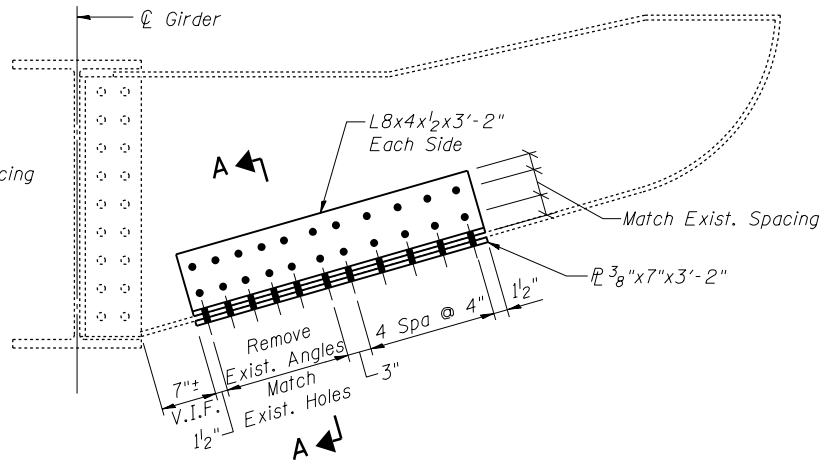
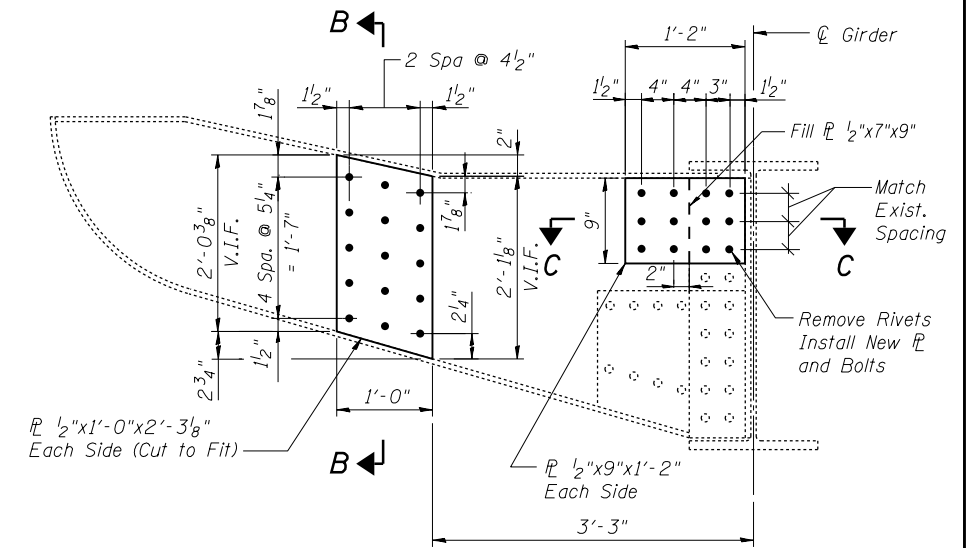


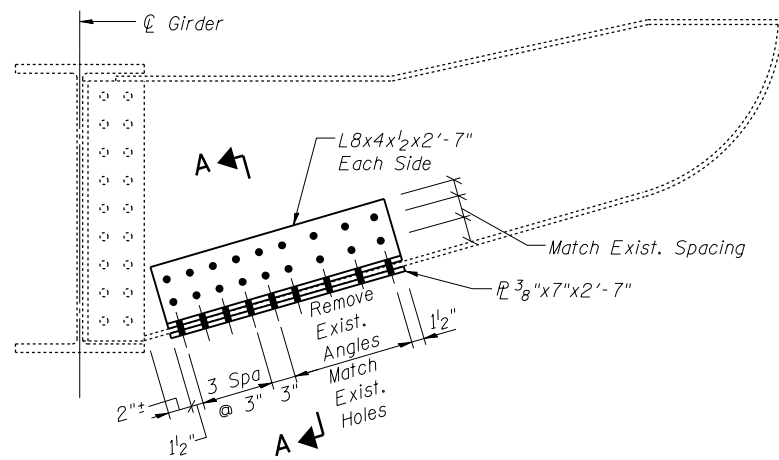
DETAIL 100
Span 1, East Side, Third Bracket from South Abutment (Looking North)
Span 8, East Side, Second Bracket from Bent 7 (Looking North)



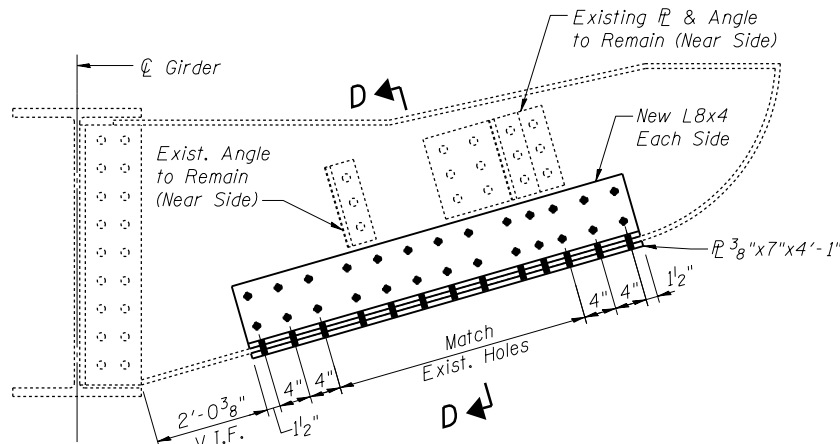
DETAIL 102
Span 4, 5 at East Bracket at Bent 4 (Looking North)



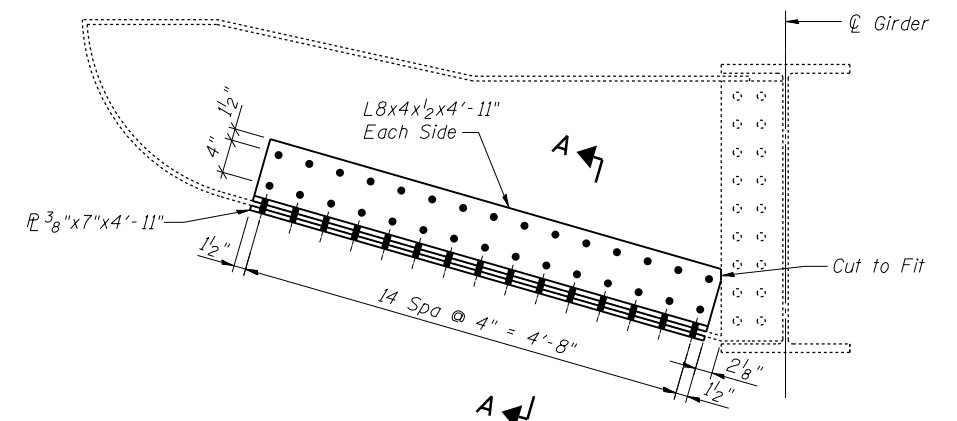
DETAIL 104
Span 7, East Side, 4th Bracket from Bent 6 (Looking South)



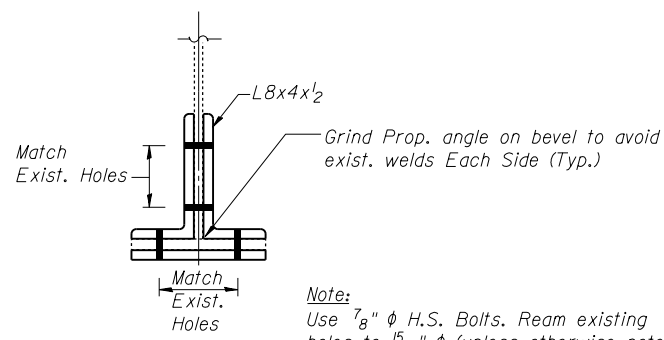
DETAIL 101
Span 4, East Side, First Bracket from North of Bent 3 (Looking North)



DETAIL 103
Span 7, East Side, 5th Bracket from Bent 6 (Looking North)

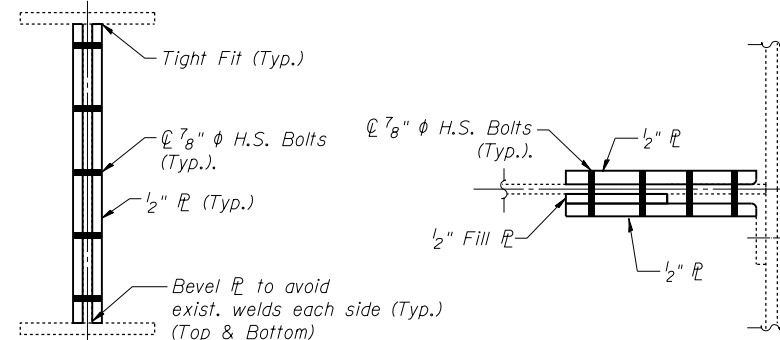


DETAIL 105
Span 14, East Side at Panel 6, First Bracket at Pier 6 (Looking South)
Span 6, 7, Bent 6 (Looking North)

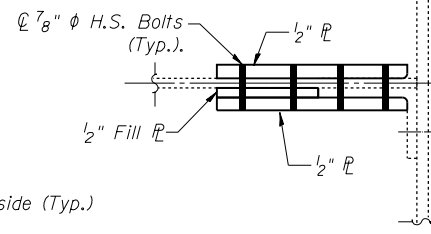


SECTION A-A

Note:
Use 7/8" φ H.S. Bolts. Ream existing holes to 15/16" φ (unless otherwise noted). Verify bracket dimensions in field.

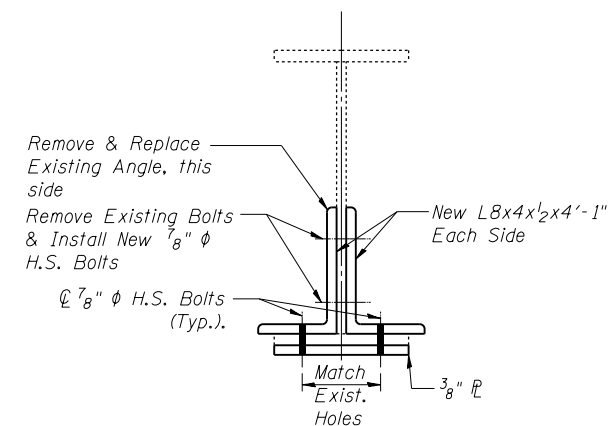


SECTION B-B



SECTION C-C

Detail 107 Opposite Hand



SECTION D-D

Legend:
V.I.F. - Verify in Field

Work this sheet with Sheet 27

I:\Projects\48155550\48155550_0001\90_CAD_Models_and_Sheets\04_CJ_Bridge\SDI\0819005-64H28-021-Bracket.dgn