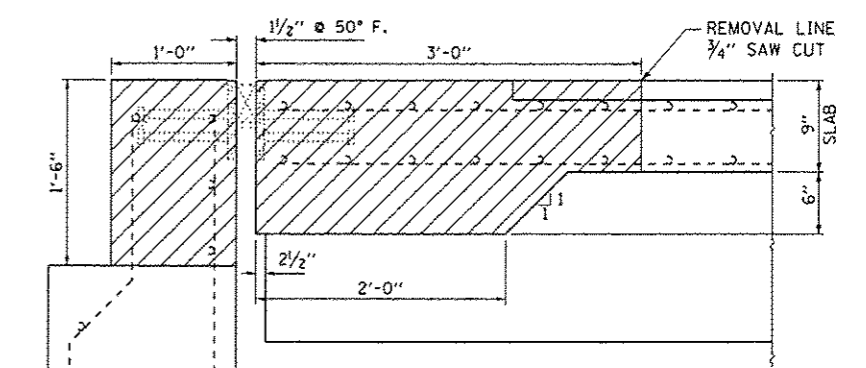


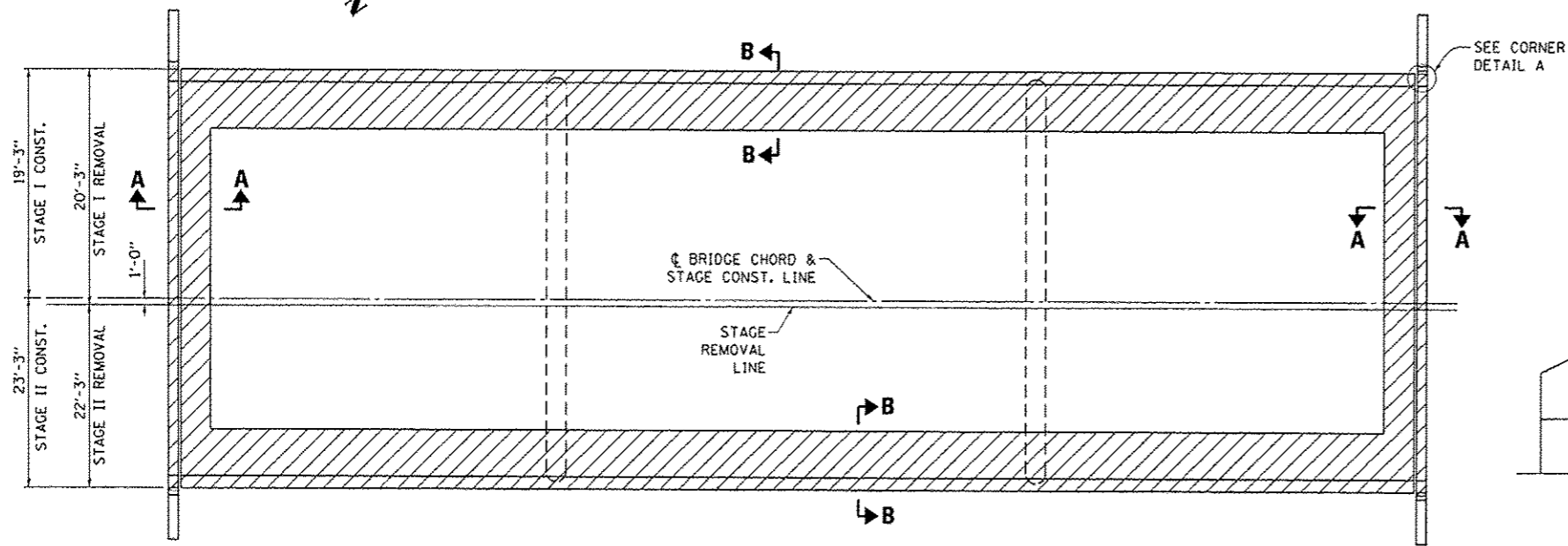
**GIRDER ORDINATES (ALL GIRDERS)**

SUPERSTRUCTURE REMOVAL AND REPLACEMENT

NOTE:  
EXISTING TRANSVERSE DECK REINFORCEMENT EXTENDING INTO REMOVAL AREA SHALL BE CUT OFF 6" FROM FACE OF REMOVAL LINE. TYPICAL EACH SIDE.

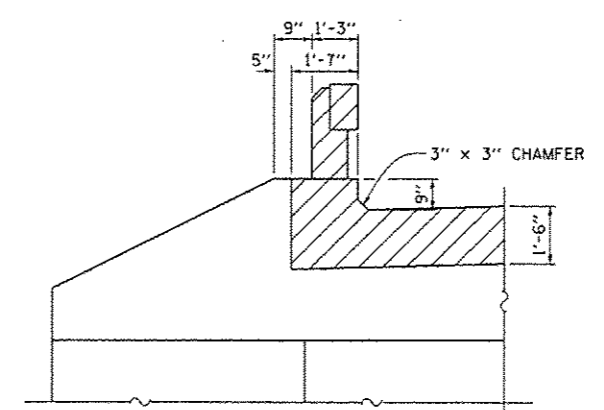


**SECTION A-A**  
DIMENSIONS AT RT. L's

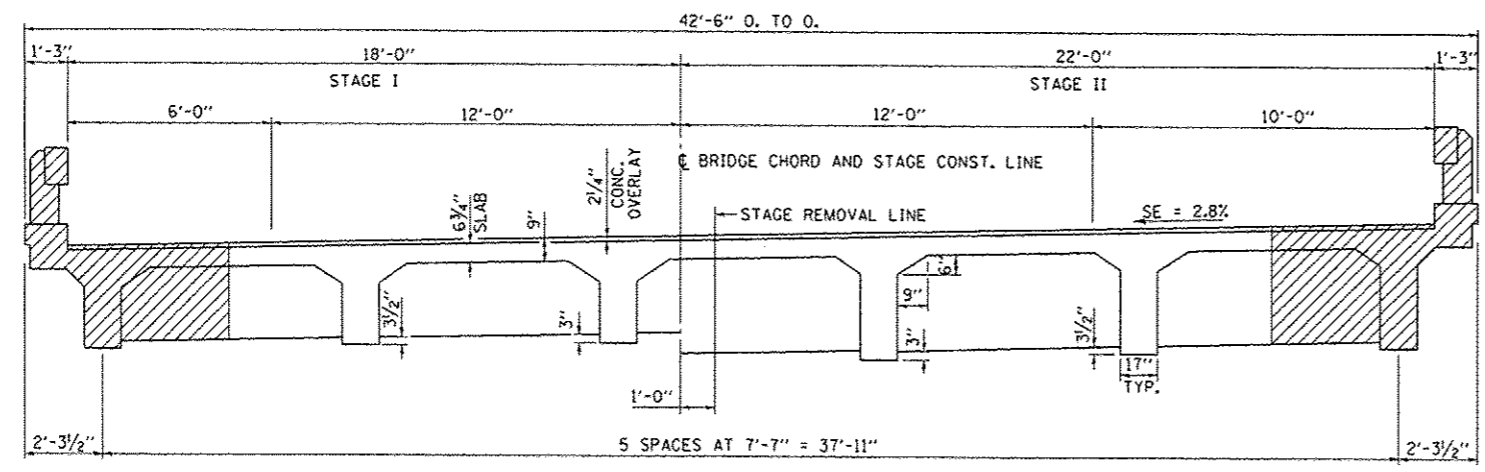


**PLAN**

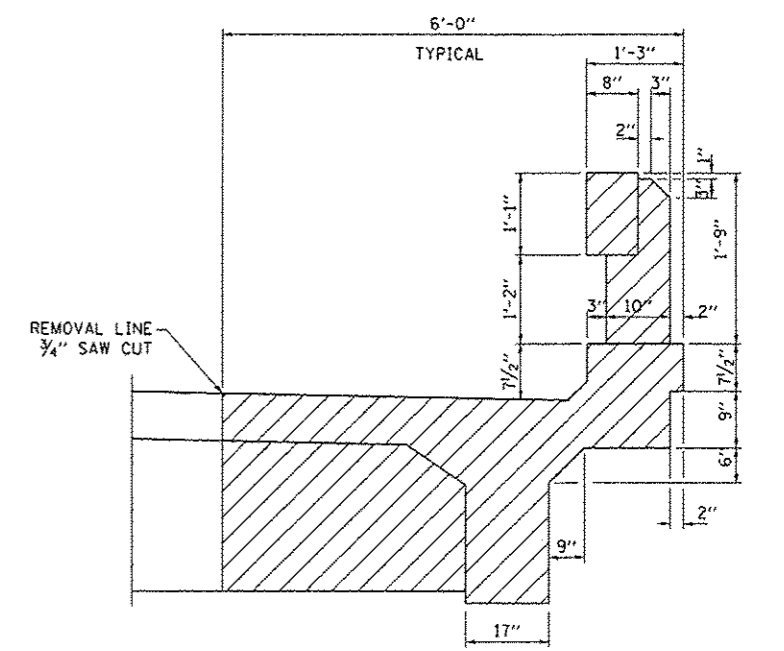
SOUTHBOUND STRUCTURE (038-0155) SHOWN  
NORTHBOUND STRUCTURE (038-0156) SIMILAR  
THRU 180 DEG. ROTATION ABOUT CENTERLINE OF FAI 57



**CORNER DETAIL A**  
(TYPICAL)



**CROSS SECTION**



**SECTION B-B**

FILE NAME :	USER NAME :	DESIGNED :	REVISED :
cd:\pw_work\pedit\woodshankr1\d0328865	woodshankr1	RW	-
	066C81-sht-details.dgn	DRAWN :	REVISED :
		RW	-
	PLOT SCALE = 1/8" = 1' in.	CHECKED :	REVISED :
		YP	-
#MODELNAME#	PLOT DATE = 11/15/2013	DATE :	REVISED :
		9/15/2013	-

STATE OF ILLINOIS  
DEPARTMENT OF TRANSPORTATION

CONCRETE REMOVAL DETAILS FOR  
STRUCTURE NO's 038-0155 AND 038-0156

F.A.I. RTE.	SECTION	COUNTY	TOTAL SHEETS	SHEET NO.
57	(38-6B)1-2	IROQUOIS	19	11
CONTRACT NO. 66C81			ILLINOIS FED. AID PROJECT	

SCALE: SHEET 2 OF 10 SHEETS STA. 928+50.00