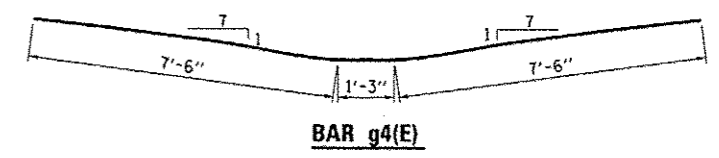
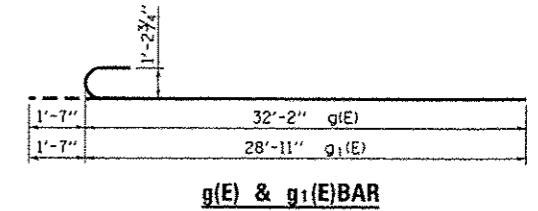
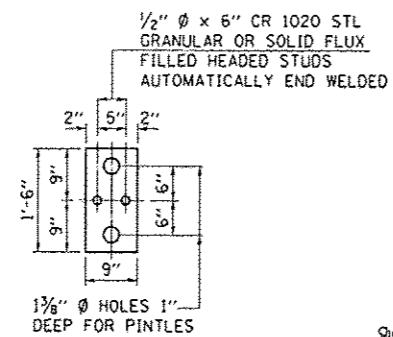


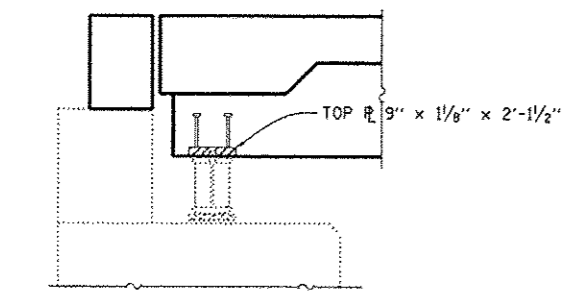
GIRDER ORDINATES (ALL GIRDERS)



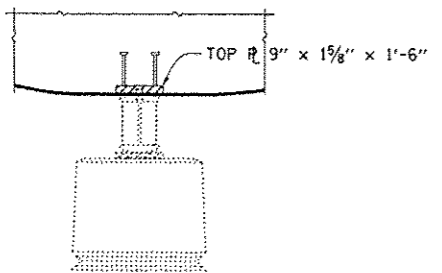
TWO SUPERSTRUCTURES BAR LIST FOR GIRDERS

BAR	NO.	SIZE	LENGTH	SHAPE
g(E)	16	11	33'-9"	U
g1(E)	16	11	30'-6"	U
g2(E)	16	10	22'-0"	U
g3(E)	16	10	16'-6"	U
g4(E)	16	11	16'-3"	U
g5(E)	8	11	38'-9"	U
g6(E)	8	11	32'-3"	U
g7(E)	8	10	23'-9"	U
g8(E)	8	10	17'-3"	U
g9(E)	60	5	26'-0"	U
g10(E)	12	9	25'-3"	U
g11(E)	24	7	25'-3"	U
g12(E)	8	11	31'-3"	U
g13(E)	16	9	31'-3"	U
g14(E)	16	11	17'-0"	U
g15(E)	8	7	22'-0"	U
g16(E)	16	5	27'-6"	U
g17(E)	16	5	30'-0"	U
g18(E)	8	5	36'-0"	U
m(E)	56	5	26'-0"	U
s(E)	140	4	5'-3"	U
s1(E)	128	4	8'-3"	U
s2(E)	164	4	5'-2"	U
s3(E)	176	4	5'-6"	U
s4(E)	24	4	6'-6"	U

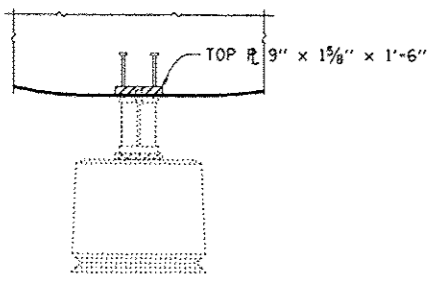
NOTE: WEIGHT OF REINFORCEMENT BARS INCLUDED IN SUPERSTRUCTURE BILL OF MATERIALS



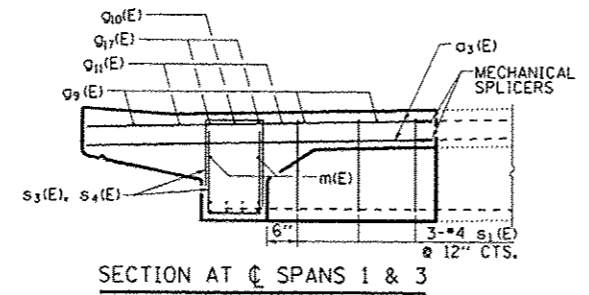
BEARING PLATE AT ABUTMENTS



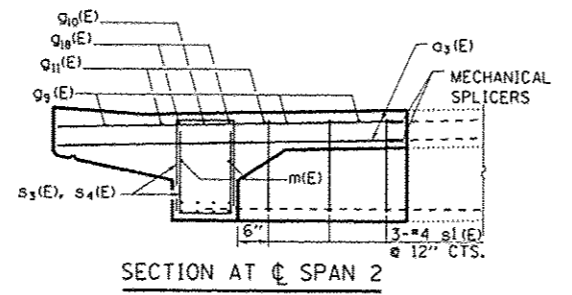
BEARING PLATE AT PIER 1



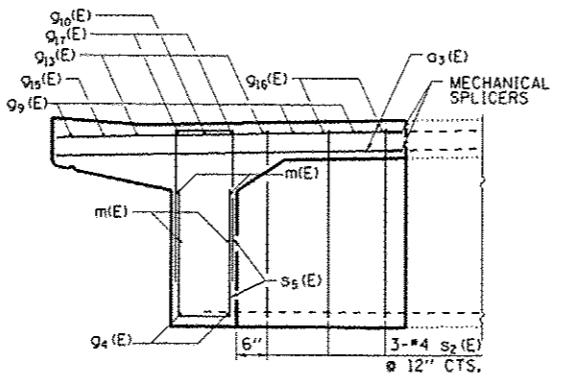
BEARING PLATE AT PIER 2



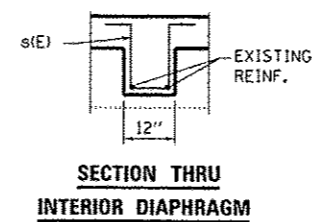
SECTION AT SPANS 1 & 3



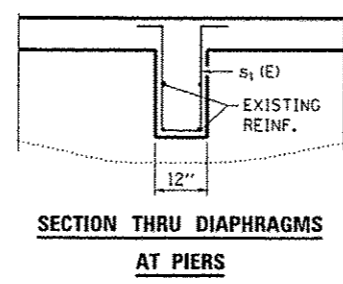
SECTION AT SPAN 2



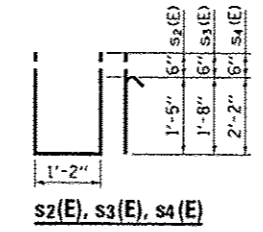
SECTION AT PIERS



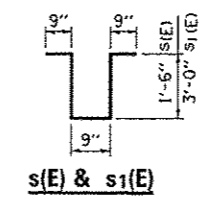
SECTION THRU INTERIOR DIAPHRAGM



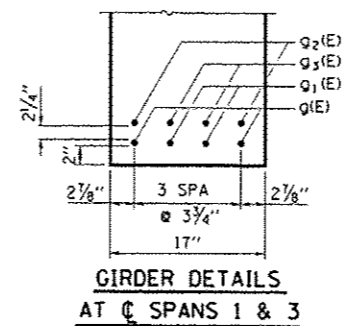
SECTION THRU DIAPHRAGMS AT PIERS



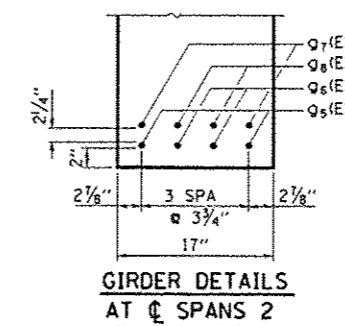
GIRDER DETAILS AT SPANS 1 & 3



GIRDER DETAILS AT SPAN 2



GIRDER DETAILS AT SPANS 1 & 3



GIRDER DETAILS AT SPAN 2

FILE NAME *	USER NAME = woodshankr1	DESIGNED - RW	REVISED -
c:\pwwork\pwwork\woodshankr1\d0325865\	0366C81.sht-details.dgn	DRAWN - RW	REVISED -
#MODELNAME*	PLOT SCALE = 100.00 / 1 in.	CHECKED -	REVISED -
	PLOT DATE = 11/15/2013	DATE -	REVISED -

STATE OF ILLINOIS
DEPARTMENT OF TRANSPORTATION

SUPERSTRUCTURE RECONSTRUCTION DETAILS
FOR STRUCTURE NO'S 038-0155 AND 038-0156

F.A.I. RTE.	SECTION	COUNTY	TOTAL SHEETS	SHEET NO.
57	138-6B1-2	IROQUOIS	19	15
			CONTRACT NO. 66C81	
ILLINOIS FED. AID PROJECT				

SCALE: SHEET 6 OF 10 SHEETS STA. 928+50.00