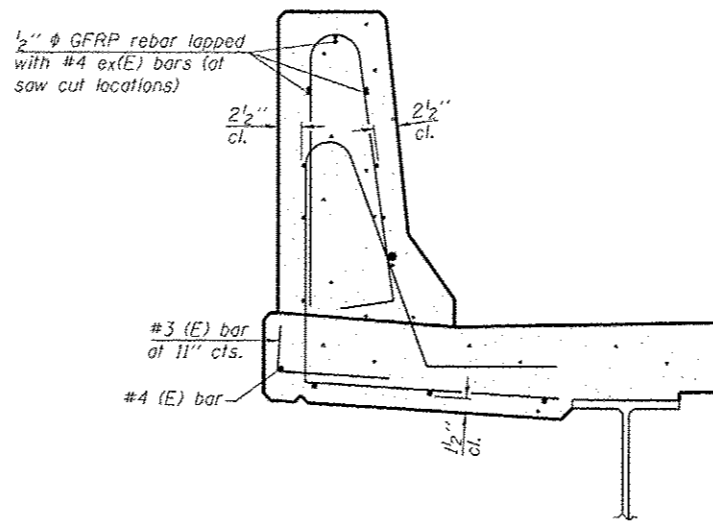


34" F SHAPE PARAPET SECTION
(Showing dimensions)

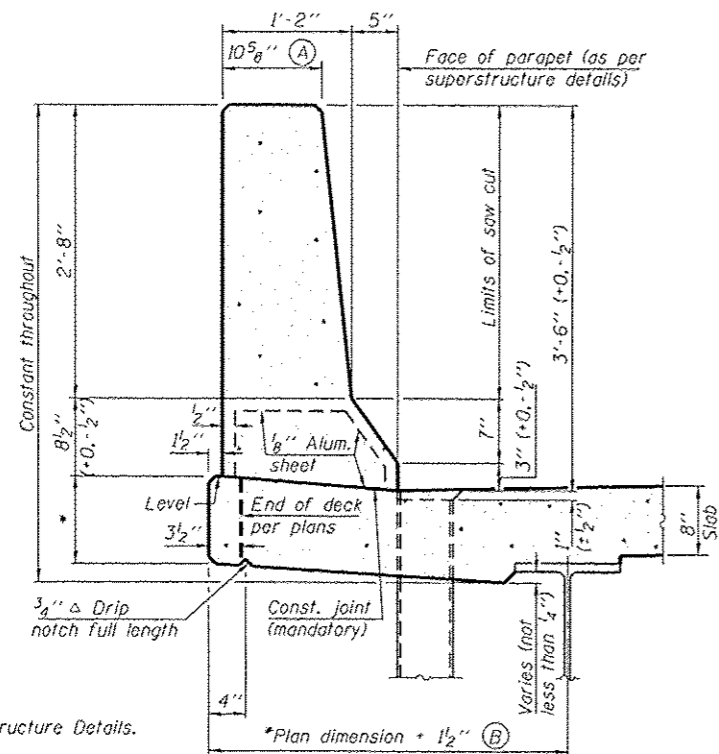
*See Superstructure Details.

*Plan dimension + 1 1/2" (B)



SECTION

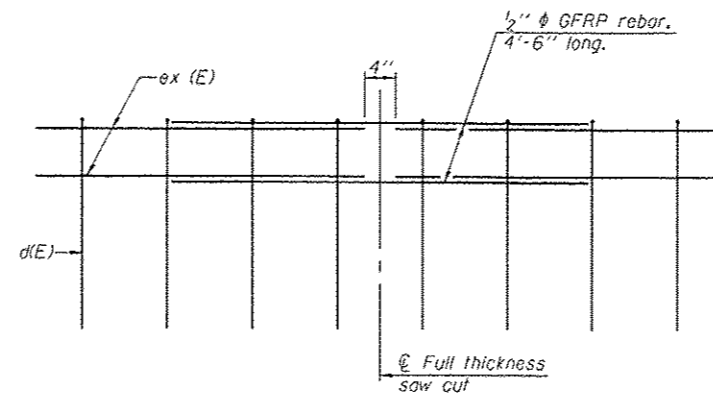
(34" parapet shown - 42" parapet similar)
(Showing reinforcement clearances for slip forming and additional reinforcement bars)



42" F SHAPE PARAPET SECTION
(Showing dimensions)

*See Superstructure Details.

*Plan dimension + 1 1/2" (B)

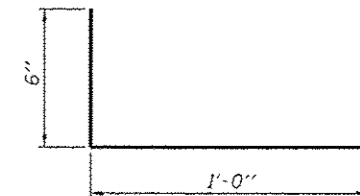


GFRP REBAR STIFFENING DETAIL

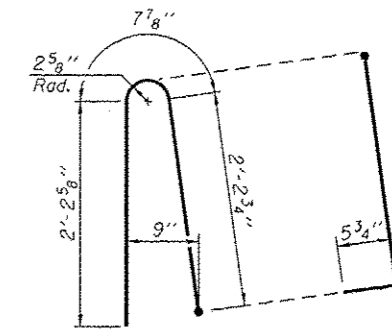
(Place as shown in parapet section at each parapet joint location.)

GENERAL NOTES

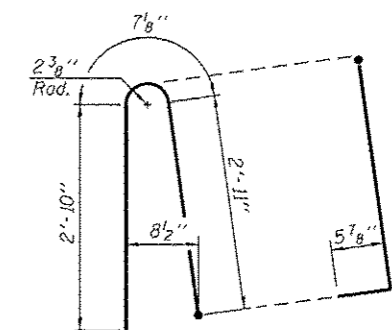
All dimensions shall remain the same as shown on superstructure details, except dimensions A and B which are to be revised as shown to provide additional clearance. Additional concrete needed to revise dimension A and B = 0.0165 cu. yds./ft. for 34" parapet or = 0.0223 cu. yds./ft. for 42" parapet. Place aluminum sheet in curb portion at and near piers. Full thickness saw cut at all joint locations in lieu of cork joint filler. Steel superstructure shown. Other superstructure types similar.



#3 (E) BAR



ALTERNATE BAR d(E)
(For 34" parapet when conduit is present)



ALTERNATE BAR d(E)
(For 42" parapet when conduit is present)

SFP 34-42

8-16-12

FILE NAME :	USER NAME :	DESIGNED :	REVISED :
en:\pwork\pvidot\woodshenk1\0325869\0366C81-shrtdetail.dwg	woodshenk1	RW	-
MODEL NAME :	PLOT SCALE :	CHECKED :	REVISED :
	100.00' / in.	RW	-
	PLOT DATE :	DATE :	REVISED :
	11/15/2013	-	-

STATE OF ILLINOIS
DEPARTMENT OF TRANSPORTATION

SUPERSTRUCTURE PARAPET SLIPFORMING OPTION
FOR STRUCTURE NO's 038-0155 AND 038-0156

SCALE: SHEET 8 OF 10 SHEETS STA. 928+50.00

F.A.I. RTE.:	SECTION	COUNTY	TOTAL SHEETS	SHEET NO.
57	(38-6B)1-2	IRROQUOIS	19	17
			CONTRACT NO. 66C81	
(ILLINOIS) FED. AID PROJECT				