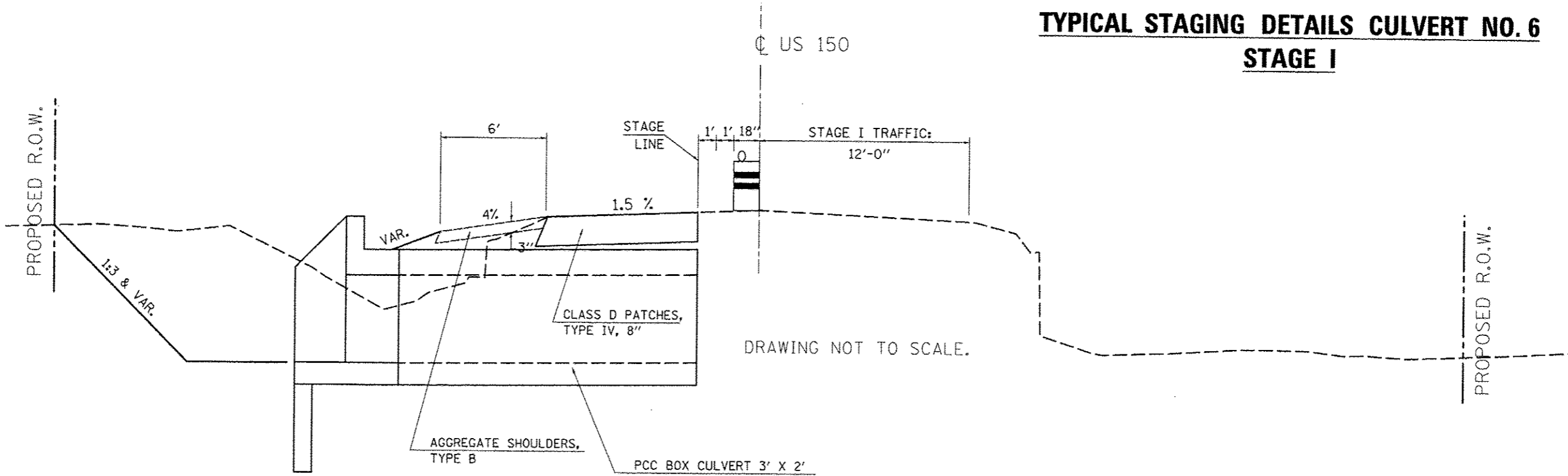


**TYPICAL STAGING DETAILS CULVERT NO. 6  
STAGE I**



A. R. CULVERT LOCATION	TRAFFIC CONTROL STANDARD	ESTIMATED TIME	CHANGEABLE MESSAGE SIGNS
STA. 184+90.00	701206	1 Day - 24 hrs. - Non-Stop (1) - 12 hr. Day Shift (1) - 12 hr. Night Shift	2 EACH AT 2.0 CAL DAY = 4.0 CAL DAY

**TYPICAL STAGING DETAILS CULVERT NO. 6  
STAGE II**

