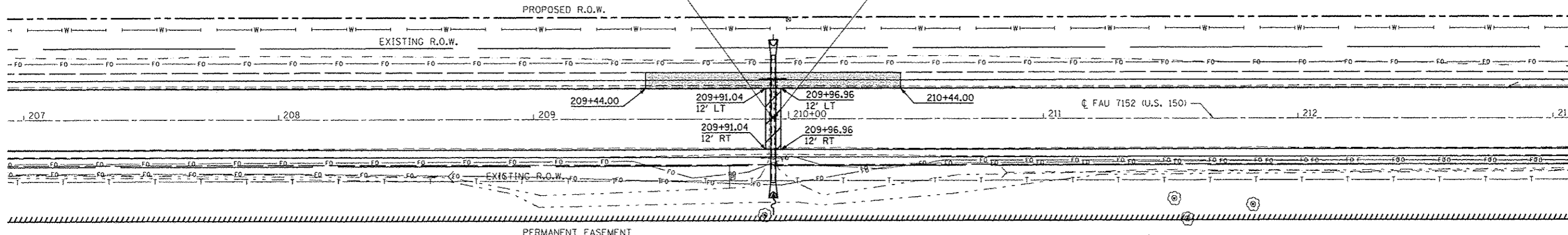


SEC. 7, T. 19 N, R. 10 E.

28-22-07-300-002
HERSHBARGER, MAX L.
AS TRUSTEE
5730010

A.R. STATION 209+94.00
EXISTING CIP BOX 3' X 2'
REMOVAL OF EXISTING STRUCTURES NO. 6

209+94.00
PIPE CULVERT, CLASS A, TYPE 1 18" = 50.0'
U.S.F.L. 25' RT 209+94.00, ELEV. = 689.78
D.S.F.L. 25' LT 209+94.00, ELEV. = 689.63
PCC REINFORCED CONC. FLRD. ES, 18" = 2.0 EA.

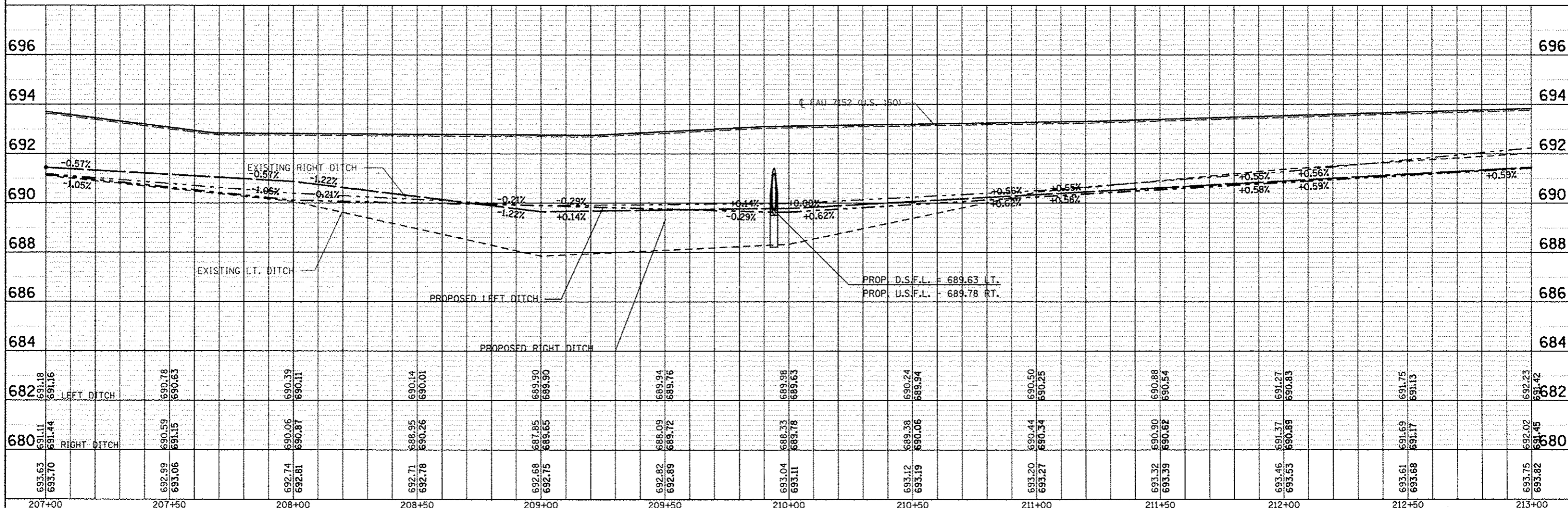


CLASS D PATCH,
TYPE IV, 8"

AGG WEDGE SHOULDERS,
TYPE B

CSX TRANSPORTATION, INC.
5730001

SEC. 18, T. 19 N, R. 10 E.



DATE	BY
REVISIONS	
NO.	DESCRIPTION

DATE	BY
REVISIONS	
NO.	DESCRIPTION

FILE NAME	USER NAME	DESIGNED	REVISED	<p style="text-align: center;">STATE OF ILLINOIS DEPARTMENT OF TRANSPORTATION</p>	<p style="text-align: center;">DETAIL OF A.R. PIPE CULVERT STA. 209 + 94.00</p>			
		DRAWN	REVISED		F.A.U. RTE.	SECTION	COUNTY	TOTAL SHEETS
		CHECKED	REVISED		(2X,3RS-3 & 2RS-4	CHAMPAIGN	551	203
		DATE	REVISED		* F.A.U. 7152 & F.A.S. 1512	CONTRACT NO. 70663	ILLINOIS FED. AID PROJECT	