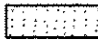

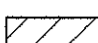
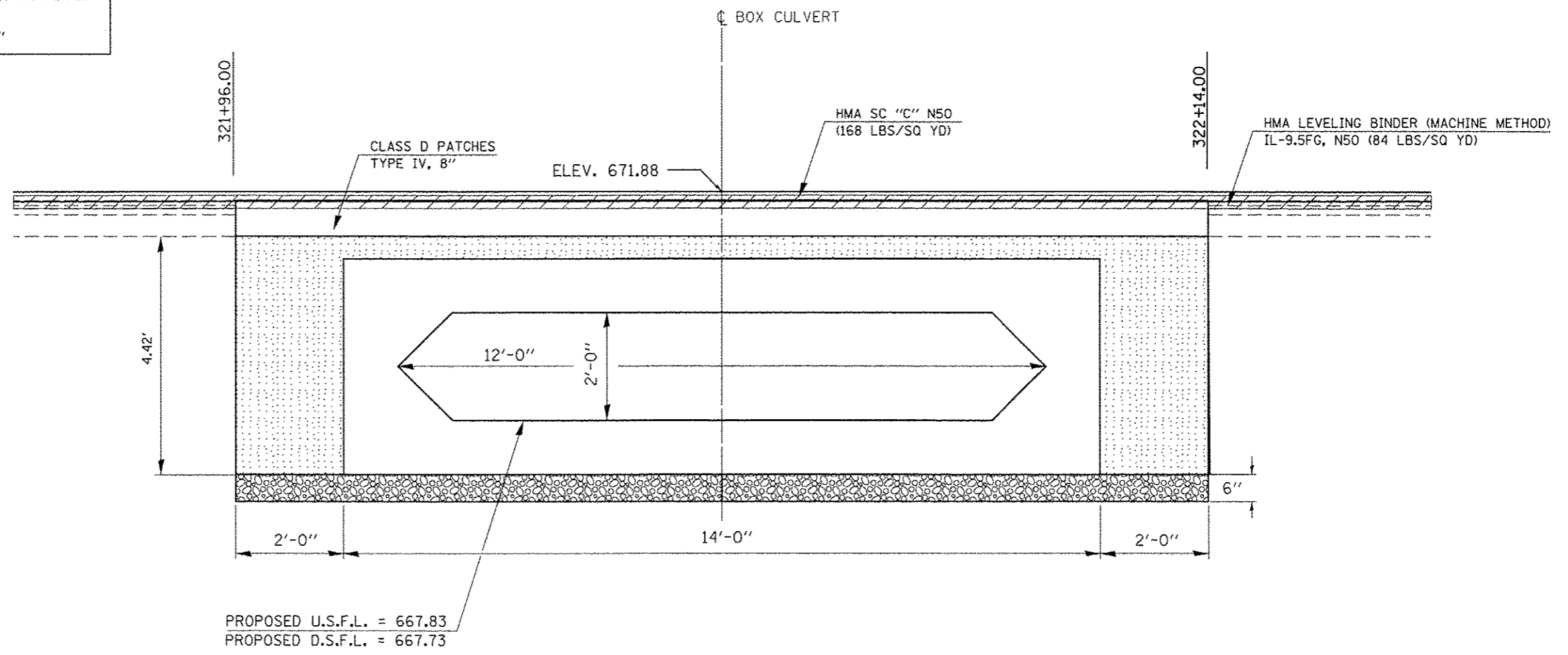


LEGEND	
	POROUS GRANULAR EMBANKMENT
	BOX CULVERT BEDDING (CA-7 OR CA-11)
	HMA SURFACE REM, 1 1/2"



POROUS GRANULAR EMBANKMENT

POROUS GRANULAR EMBANKMENT SHALL EXTEND 2 FT. BEYOND THE AGGREGATE SHOULDER

WORK SHOWN IN THE DETAIL SHALL BE PERFORMED IN ACCORDANCE WITH APPLICABLE PORTIONS OF SECTION 207 AND SECTION 540 OF THE STANDARD SPECIFICATIONS.

POROUS GRANULAR EMBANKMENT SHALL EXTEND 2 FT. BEYOND THE AGGREGATE SHOULDER

WORK SHOWN IN THE DETAIL SHALL BE PERFORMED IN ACCORDANCE WITH APPLICABLE PORTIONS OF SECTION 207 AND SECTION 540 OF THE STANDARD SPECIFICATIONS.

BILL OF MATERIAL

Item	Unit	Total
Porous Granular Embankment	Cu.Yd.	21.6

DRAWING NOT TO SCALE.

FILE NAME =	USER NAME = ceorlock_jd	DESIGNED - JMS	REVISED -	STATE OF ILLINOIS DEPARTMENT OF TRANSPORTATION	DETAIL OF POROUS GRANULAR EMBANKMENT	F.A.U. RTE.	SECTION	COUNTY	TOTAL SHEETS	SHEET NO.
cd:\pwork\pwork\ceorlock_jd\0120315\0120315-01\0120315-01-01\0120315-01-01-01.dgn	DRAWN - RLA	REVISED -	•			(2X,3)RS-3 & 2RS-4	CHAMPAIGN	551	233	
PLOT SCALE = 48.0000 1/1 in.	CHECKED -	REVISED -	•			F.A.U. 7152 & F.A.S. 1512	CONTRACT NO. 70663			
PLOT DATE = 10/16/2013	DATE - 080311	REVISED -	ILLINOIS FED. AID PROJECT							
				SCALE: NONE	SHEET NO. 6 OF 6 SHEETS	STA.	TO STA.			