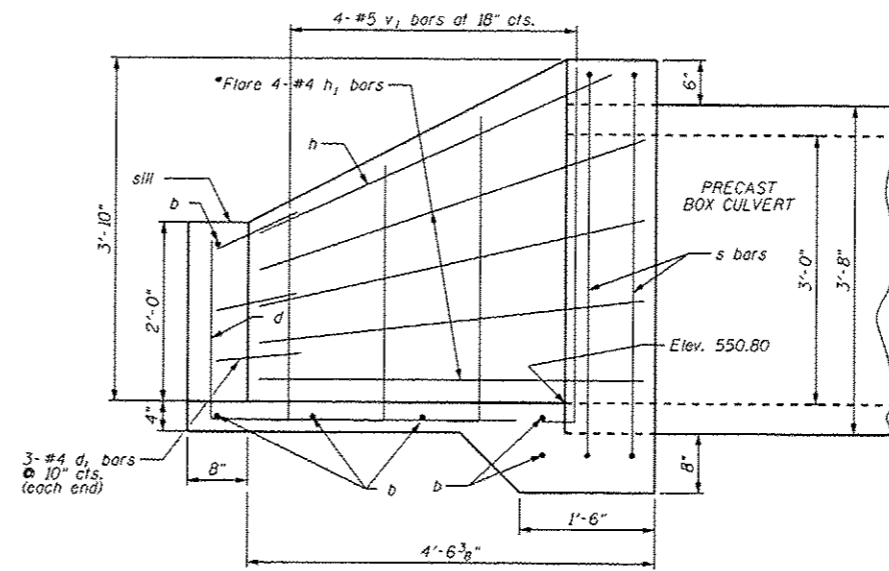


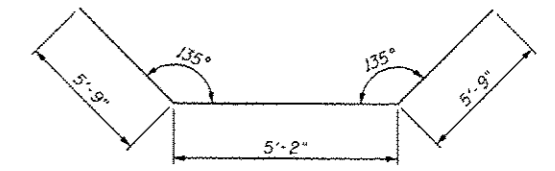
END ELEVATION
(Sill reinforcement not shown)



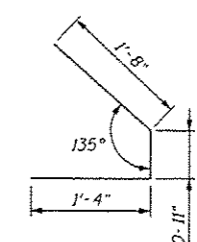
HALF LONG. SECTION

BILL OF MATERIAL

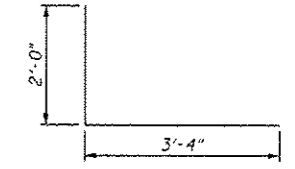
Bar	No.	Size	Length	Shape
b	6	4	12'-6"	—
d	8	4	5'-4"	—
d1	6	4	3'-9"	—
h	1	4	16'-8"	—
h1	8	4	5'-0"	—
s	2	4	17'-10"	—
v1	8	5	5'-1"	—
Concrete Box Culverts			Cu. Yd.	2.5
Reinforcement Bars			Pound	200



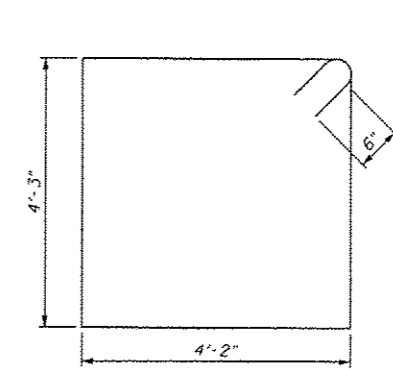
h BAR



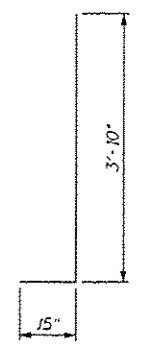
d1 BAR



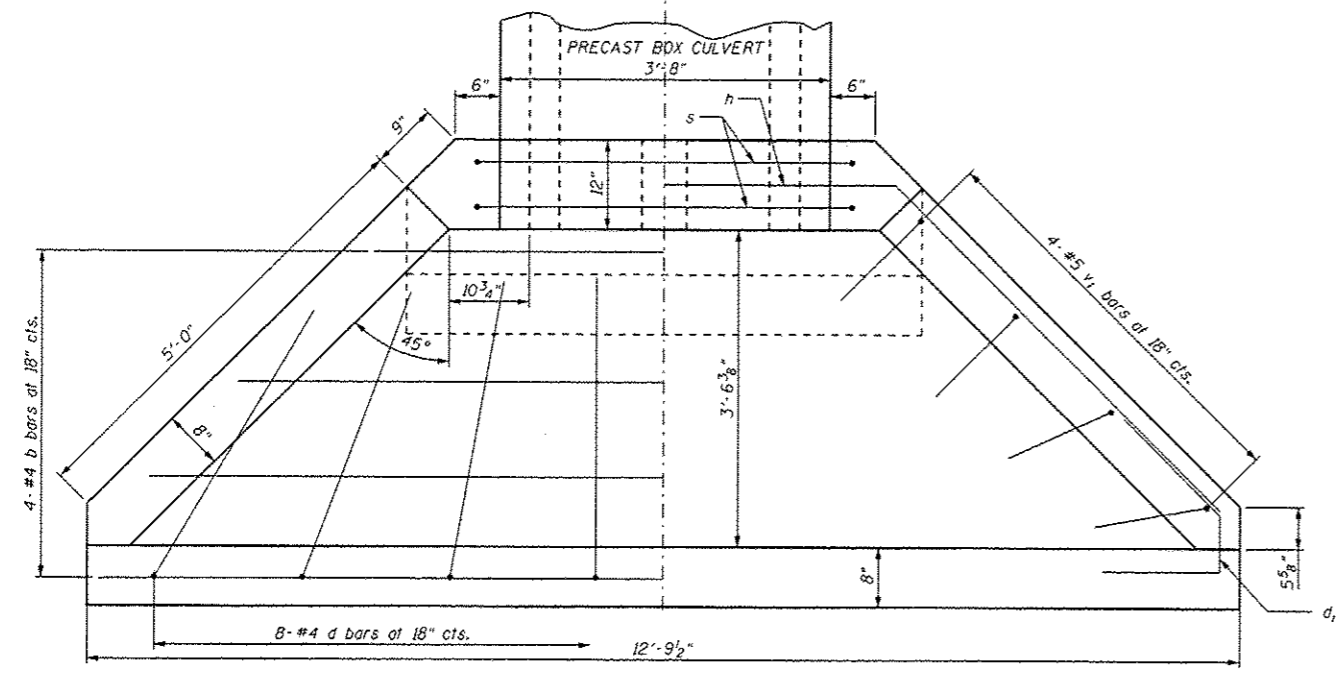
d BAR



s BAR



v1 BAR



END PLAN

DESIGN STRESSES

Fy = 60,000 psi
F'c = 3,500 psi

LOADING HL-93

BAR BEND DETAILS

FILE NAME = culvert1362+1037-CIP ENDS.dgn	USER NAME = notal	DESIGNED - TCD	REVISED -	STATE OF ILLINOIS DEPARTMENT OF TRANSPORTATION	CULVERT DETAILS		F.A.S. RTE. 1597	SECTION 14 (W, RS-7)	COUNTY ADAMS/PIKE	TOTAL SHEETS 192	SHEET NO. 57
	PLOT SCALE = 2.00/824 1/2 in.	DRAWN - PSBA	REVISED -		CAST-IN-PLACE END SECTION: STA 1362+10.37, LT		SCALE: NTS	SHEET 1 OF 1 SHEETS	STA. TO STA.	ILLINOIS FED. AID PROJECT	
	PLOT DATE = 1/31/2014	CHECKED - CSB	REVISED -								
		DATE - 07/2013	REVISED -								

REVISOR'S MARK: **REVISED SHEET 2-18-14**