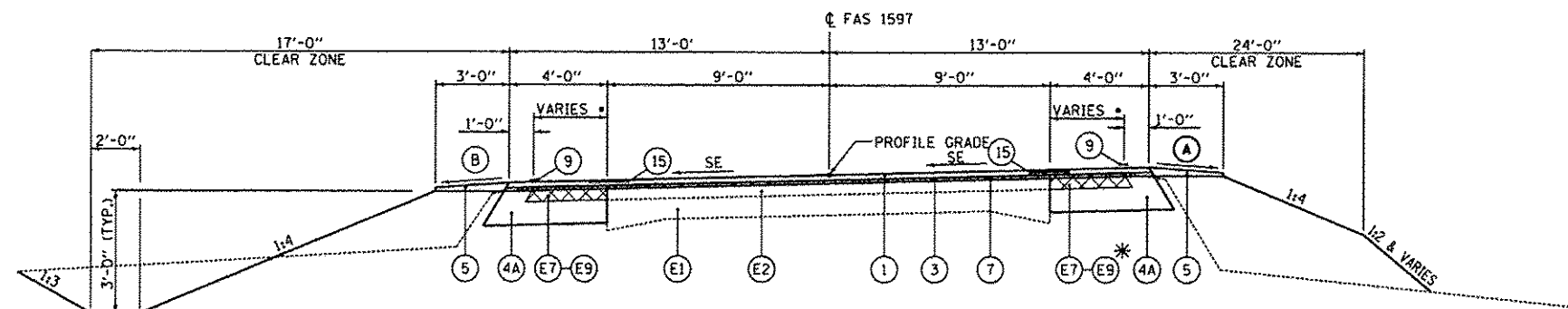


F.A.S. RTE.	SECTION	COUNTY	TOTAL SHEETS	SHEET NO.
1597	14 (W. RS-7)	ADAMS/PIKE	152	26
FED. ROAD DIST. NO. 6 ILLINOIS			FED. AID PROJECT	



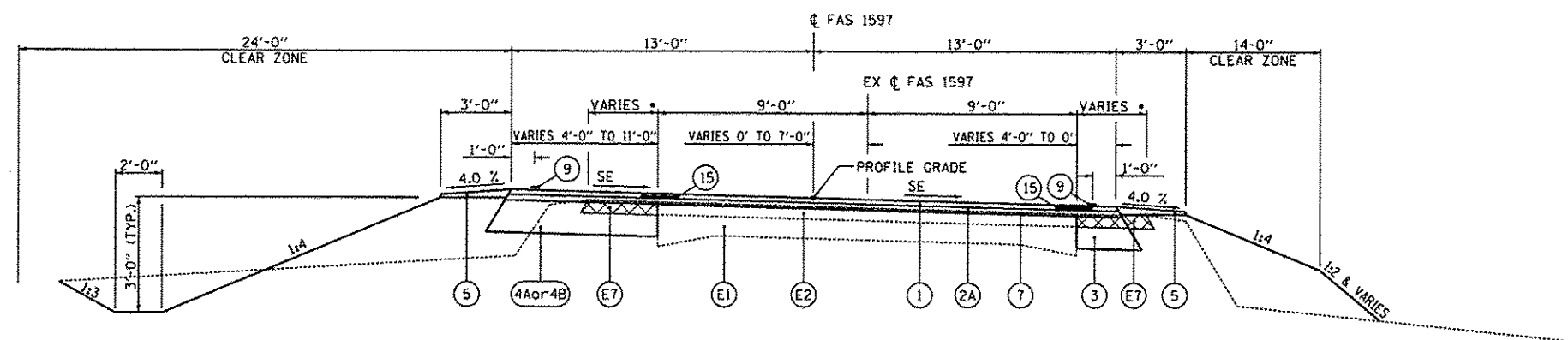
TYPICAL SUPERELEVATED FAS 1597 (IL 96) SECTION

STA 1338+64.00 TO STA 1340+94.00 SE TRANSITION
 STA 1340+94.00 TO STA 1348+18.00 SE = 8.0%
 STA 1348+18.00 TO STA 1350+48.00 SE TRANSITION
 STA 1399+59.00 TO STA 1401+89.00 SE TRANSITION
 STA 1401+89.00 TO STA 1407+92.00 SE = 7.2%
 STA 1407+92.00 TO STA 1410+22.00 SE TRANSITION

LEGEND

- (E1) EX 9" - 6" - 9" PCC PAVEMENT
- (E2) EX HOT-MIX ASPHALT BINDER AND SURFACE COURSE, VARIABLE DEPTH (4 1/2" TYP., 3" MIN.)
- (E3) EX HOT-MIX ASPHALT BINDER AND SURFACE COURSE, 3"
- (E4) EX HOT-MIX ASPHALT BINDER AND SURFACE COURSE, VARIABLE DEPTH (2 1/2" MIN.)
- (E5) EX HOT-MIX ASPHALT BASE COURSE WIDENING, 12"
- (E6) EX HOT-MIX ASPHALT SHOULDERS, 6"
- (E7) EX HOT-MIX ASPHALT SHOULDERS, VARIABLE DEPTH
- (E8) EX HOT-MIX ASPHALT BASE COURSE WIDENING, 9"
- (E9) EX AGGREGATE SHOULDER

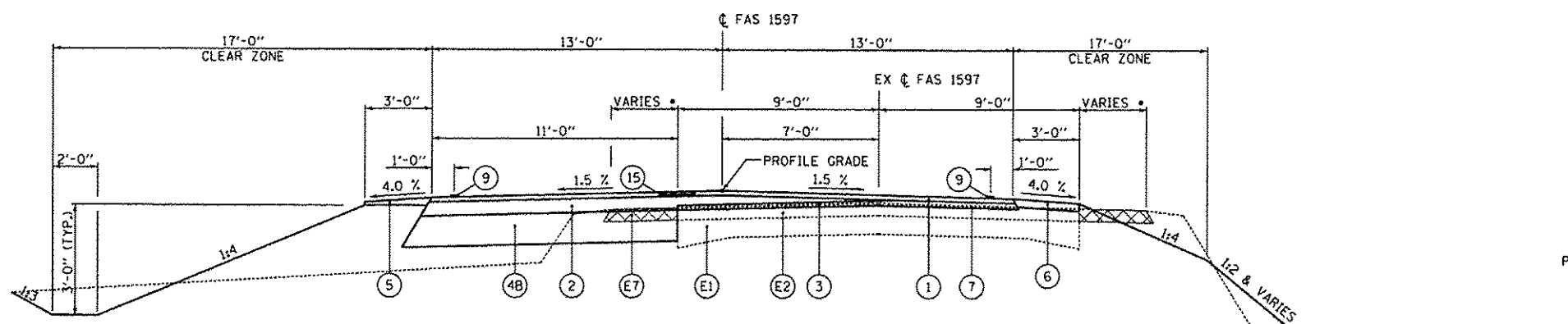
- (1) PROPOSED HOT-MIX ASPHALT SURFACE COURSE, MIX "C", N50, 1 1/2"
- (2) PROPOSED HOT-MIX ASPHALT BINDER COURSE, IL-19.0, N50, VARIABLE DEPTH
- (3) PROPOSED LEVELING BINDER (MACHINE METHOD), N50, 1 1/4"
- (4A) PROPOSED HOT-MIX ASPHALT BASE COURSE WIDENING, 10"
- (4B) PROPOSED HOT-MIX ASPHALT BASE COURSE, 10"
- (5) PROPOSED AGGREGATE SHOULDER, TYPE B
- (6) PROPOSED HOT-MIX ASPHALT SHOULDER, 2 1/2"
- (6A) PROPOSED HOT-MIX ASPHALT SHOULDER, 8"
- (7) PROPOSED HOT-MIX ASPHALT SURFACE REMOVAL, VARIABLE DEPTH (3/4" AVG.)
- (8) PROPOSED HOT-MIX ASPHALT SURFACE REMOVAL, VARIABLE DEPTH (2 1/2" AVG.)
- (9) PROPOSED PAVEMENT MARKING LINE, 5"
- (10) PROPOSED CONCRETE GUTTER, TYPE A
- (11) PROPOSED PIPE UNDERDRAINS, 4"
- (12) NOT USED
- (13) NOT USED
- (13A) NOT USED
- (14) PROPOSED HOT-MIX ASPHALT BASE COURSE, 6 1/2"
- (15) PROPOSED STRIP REFLECTIVE CRACK CONTROL TREATMENT
- (16) PROPOSED INCIDENTAL HOT-MIX ASPHALT SURFACING - 1 1/2"



TYPICAL SUPERELEVATED FAS 1597 (IL 96) SECTION

STA 1351+73.00 TO STA 1354+03.00 SE TRANSITION
 STA 1354+03.00 TO STA 1357+77.00 SE = 8.0%
 STA 1357+77.00 TO STA 1360+07.00 SE TRANSITION
 STA 1367+86.00 TO STA 1370+16.00 SE TRANSITION
 STA 1370+16.00 TO STA 1376+29.00 SE = 7.1%
 STA 1376+29.00 TO STA 1378+57.00 SE TRANSITION

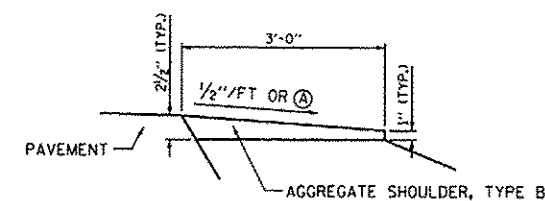
STATION EQUATIONS
 STA 1376+87.15 BK = 1376+84.50 AH



TYPICAL FAS 1597 (IL 96) SECTION

STA 1360+07.00 TO STA 1367+86.00

NOTE:
 RESURFACE EX PAVEMENT AS 3" HOT-MIX ASPHALT SHOULDER BETWEEN STA 1356+81 RT AND 1370+00 RT.



AGGREGATE SHOULDER, TYPE B DETAIL

NOT TO SCALE

REVISIONS	
NAME	DATE

ILLINOIS DEPARTMENT OF TRANSPORTATION
 TYPICAL SECTIONS
 SHEET 2 OF 4
 F.A.S. ROUTE 1597 (IL 96)
 SECTION 14 (W. RS-7)
 ADAMS/PIKE COUNTY
 SCALE: NTS
 DATE: _____
 DRAWN BY: BNK
 CHECKED BY: OBS

*NOTE:
 SEE PLAN AND PROFILE SHEETS FOR THE LOCATIONS OF THE AGGREGATE AND HOT-MIX ASPHALT SHOULDERS