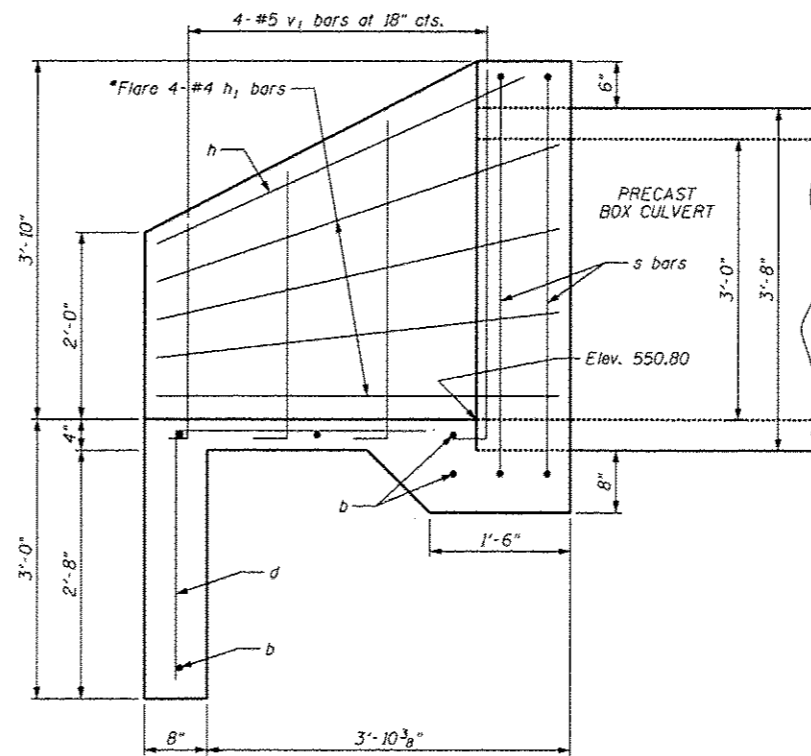


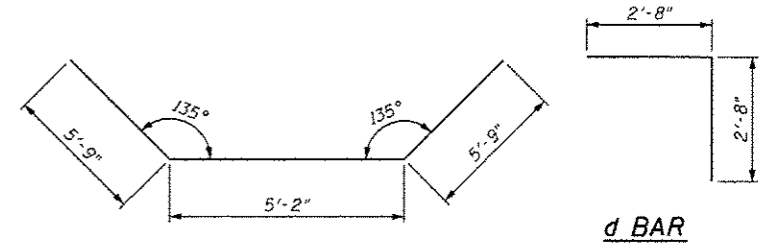
END ELEVATION



HALF LONG. SECTION

BILL OF MATERIAL

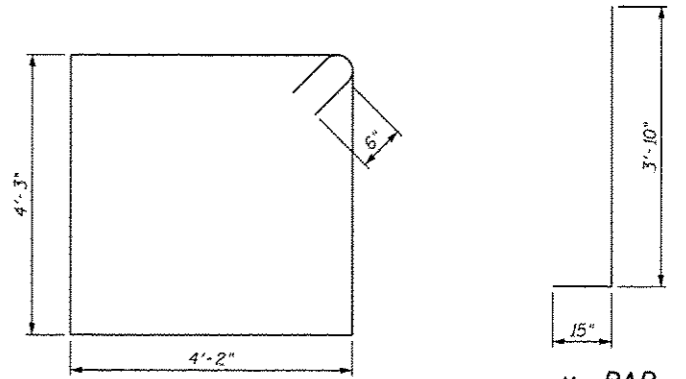
Bar	No.	Size	Length	Shape
b	5	4	12'-6"	—
d	8	4	5'-4"	—
h	1	4	16'-8"	—
h ₁	8	4	5'-0"	—
s	2	4	17'-10"	—
v ₁	8	5	5'-1"	—
Concrete Box Culverts			Cu. Yd.	2.6
Reinforcement Bars			Pound	180



d BAR

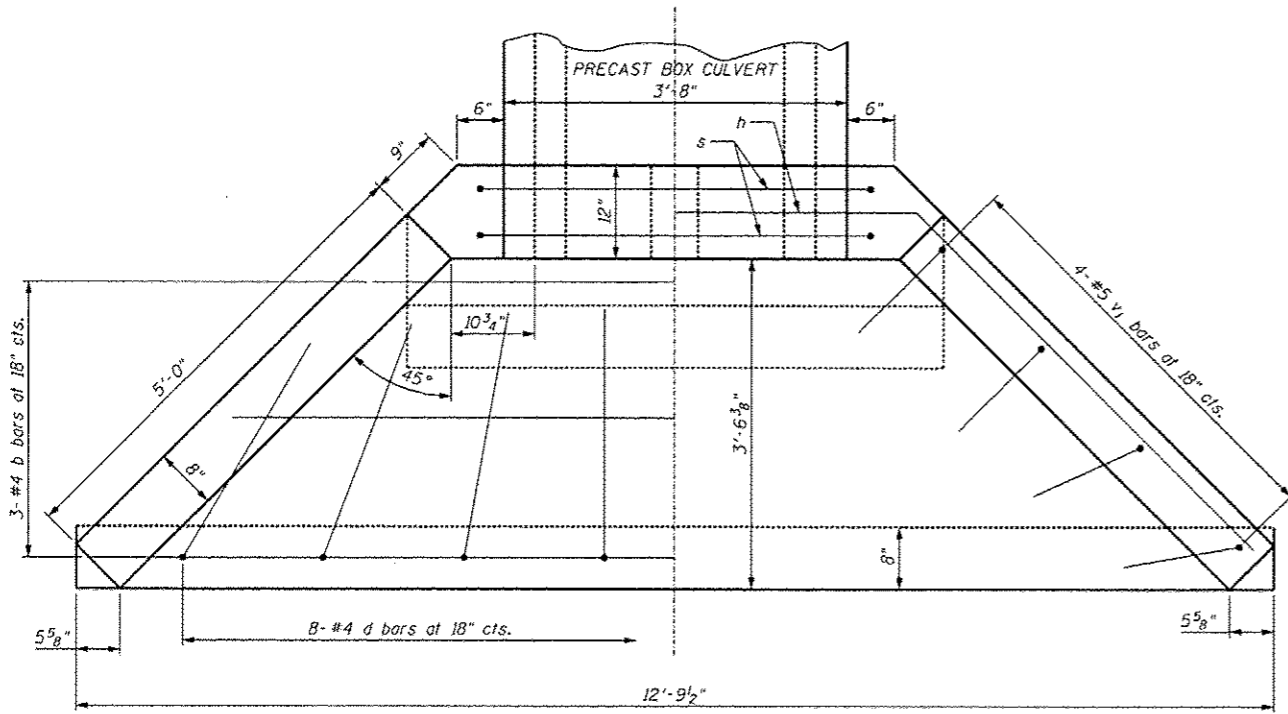


h BAR



s BAR

v₁ BAR



END PLAN

DESIGN STRESSES

F_y = 60,000 psi
F'_c = 3,500 psi

LOADING HL-93

BAR BEND DETAILS