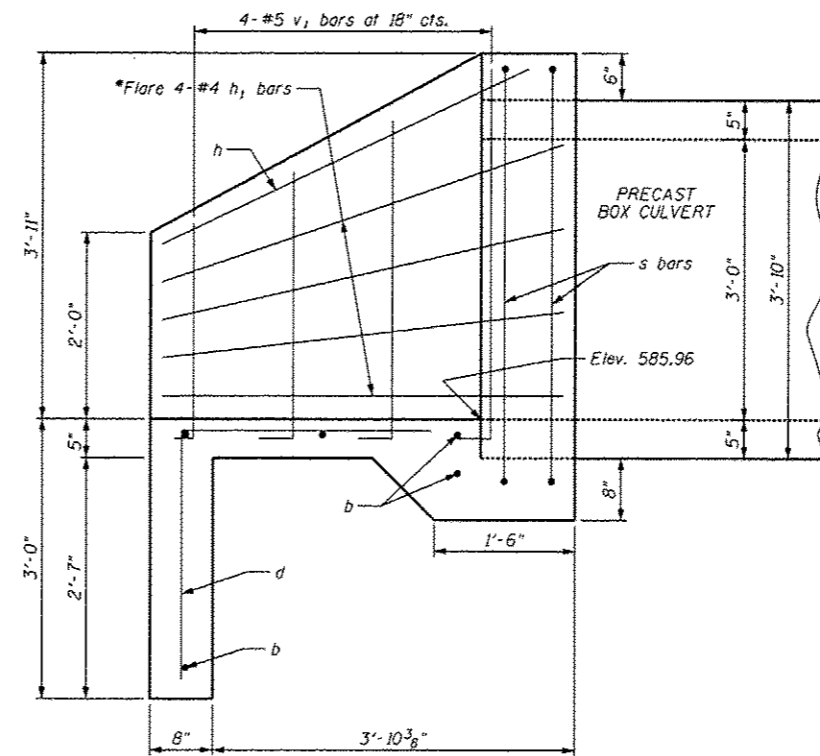


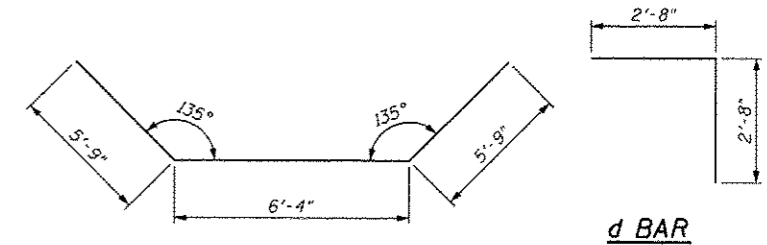
END ELEVATION



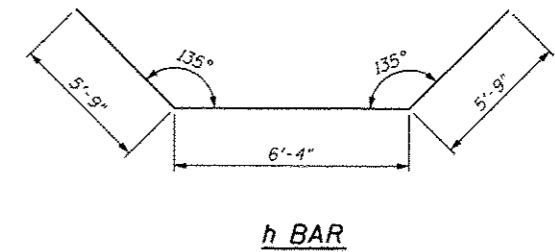
HALF LONG. SECTION

BILL OF MATERIAL

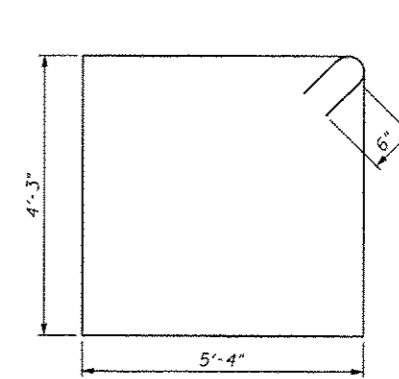
Bar	No.	Size	Length	Shape
b	5	4	13'-8"	—
d	9	4	5'-4"	—
h	1	4	17'-10"	—
h ₁	8	4	5'-0"	—
s	2	4	20'-2"	—
v ₁	8	5	5'-2"	—
Concrete Box Culverts			Cu. Yd.	2.9
Reinforcement Bars			Pound	190



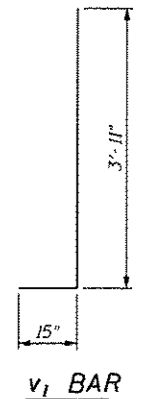
d BAR



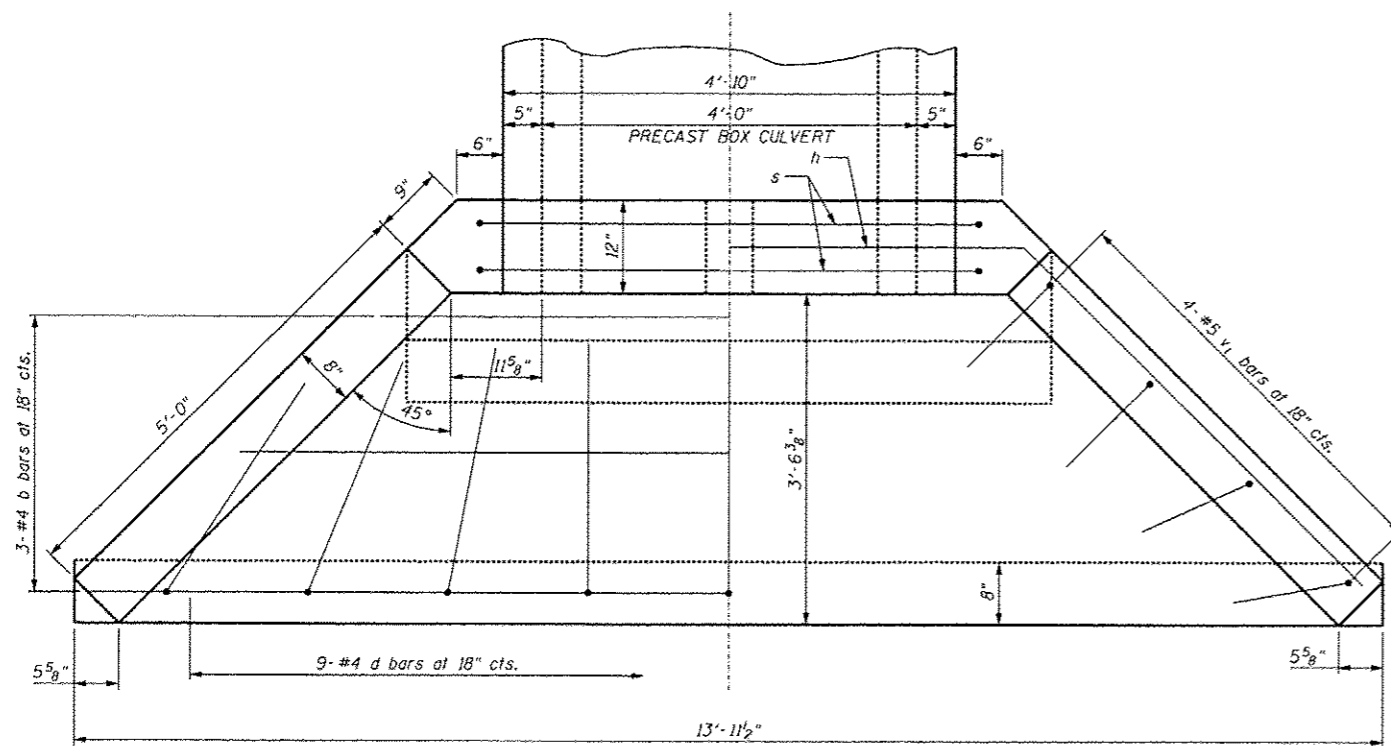
h BAR



s BAR



v₁ BAR



END PLAN

DESIGN STRESSES

F_y = 60,000 psi
F'_c = 3,500 psi

LOADING HL-93

BAR BEND DETAILS

FILE NAME : culvert1379+4975-CIP-ENDS.dgn

USER NAME : notal
PLOT SCALE : 2/8,5846 1" = 10'
PLOT DATE : 8/16/2013

DESIGNED - TCD
DRAWN - PSBA
CHECKED - CSB
DATE - 07/2013

REVISED -
REVISED -
REVISED -
REVISED -

STATE OF ILLINOIS
DEPARTMENT OF TRANSPORTATION

CULVERT DETAILS
CAST-IN-PLACE END SECTION: STA 1379 + 49.75, LT

SCALE: NTS SHEET 1 OF 1 SHEETS STA. TO STA.

F.A.S. RTE.	SECTION	COUNTY	TOTAL SHEETS	SHEET NO.
1597	14 (W, RS-7)	ADAMS/PIKE	152	58
				72781

ILLINOIS FED. AID PROJECT