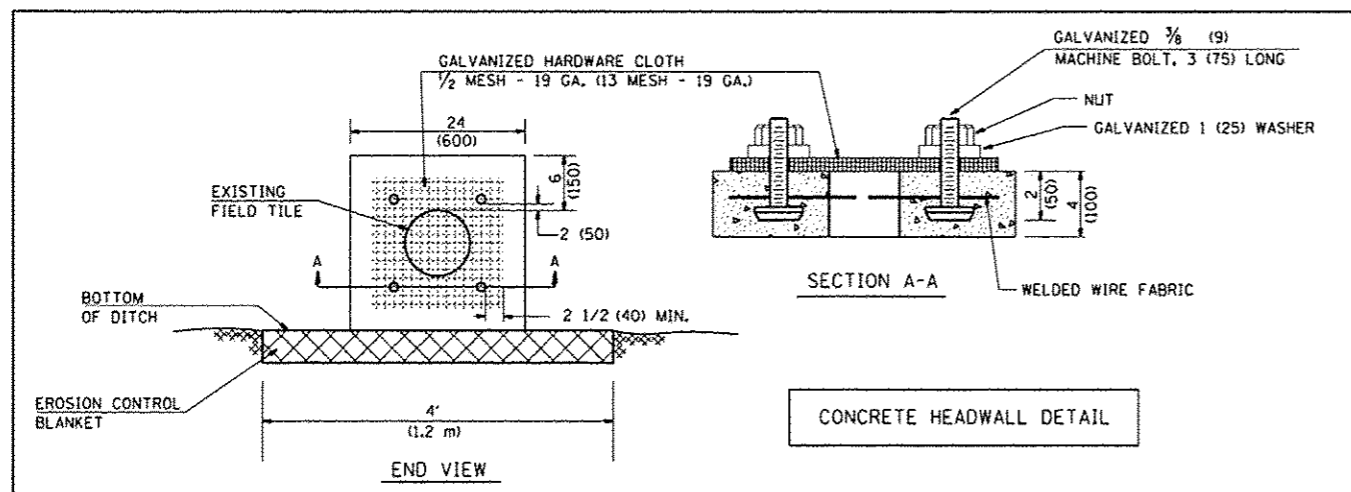
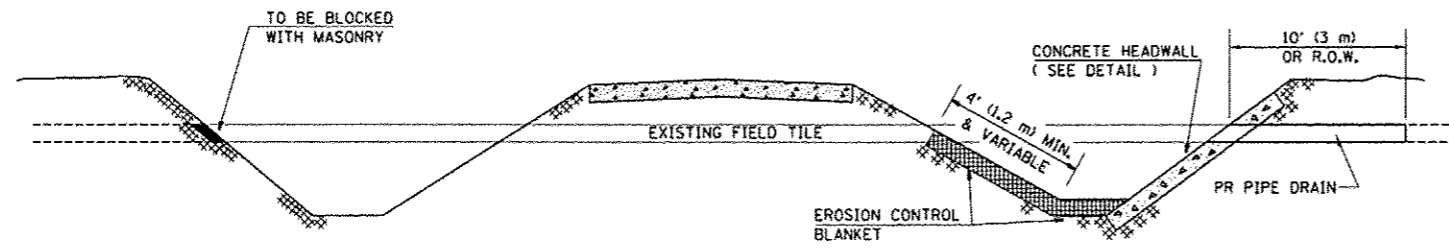


GENERAL NOTES

1. FIELD TILE SHALL BE REPLACED IN ACCORDANCE WITH SECTION 611 OF THE STANDARD SPECIFICATIONS. THE COST PER CONTRACT UNIT PRICE OF ITEMS INCLUDED IN THIS CONTRACT SHALL BE PAID FOR AS STATED IN SECTION 611 OF THE STANDARD SPECIFICATIONS. IF THE CONTRACT UNIT PRICE IS NOT INCLUDED IN THIS CONTRACT, PAYMENT FOR THIS WORK WILL BE IN ACCORDANCE WITH ARTICLE 109.04 OF THE STANDARD SPECIFICATIONS.
2. THE DIAMETER OF THE PROPOSED STORM SEWER SHALL BE EQUAL TO OR GREATER THAN THE EXISTING FIELD TILE.
3. ALL EXISTING FIELD TILE SHALL BE REPLACED WITH STORM SEWER OF THE TYPE REQUIRED FOR BY THE DEPTH OF COVER. THE LINEAL METER MEASUREMENT WILL BE ALONG THE CENTROIDAL AXIS AND INCLUDE ALL BENDS, ELBOWS, OR PIPE TEE'S WHICH ARE REQUIRED.
4. THE REINFORCED CONCRETE LID SHALL BE CLASS SI CONCRETE (MISCELLANEOUS) OR PRECAST REINFORCED CONCRETE.
5. ALL HARDWARE, WELDED WIRE FABRIC, RODENT SCREENS AND OTHER REINFORCEMENT AND ANCHORS AS SHOWN OR AS DIRECTED BY THE ENGINEER SHALL BE INCLUDED IN THE COST FOR MISCELLANEOUS CONCRETE.



ALL DIMENSIONS ARE IN INCHES (MILLIMETERS) UNLESS OTHERWISE SHOWN.

FILE NAME : c:\ledgn	USER NAME : natal	DESIGNED -	REVISED -	STATE OF ILLINOIS DEPARTMENT OF TRANSPORTATION	FIELD TILE REPLACEMENT			F.A.S. RTE. 1597	SECTION 14 (W, RS-7)	COUNTY ADAMS/PIKE	TOTAL SHEETS 152	SHEET NO. 71
PLOT SCALE : 1/8" = 1'-0"	CHECKED - RRJ	REVISOR -	REVISOR -					SCALE: SHEET OF SHEETS STA. TO STA.			CONTRACT NO. 72781	
PLOT DATE : 8/16/2013	DATE - FEBRUARY 15, 2000	REVISOR -	REVISOR -		ILLINOIS FED. AID PROJECT							