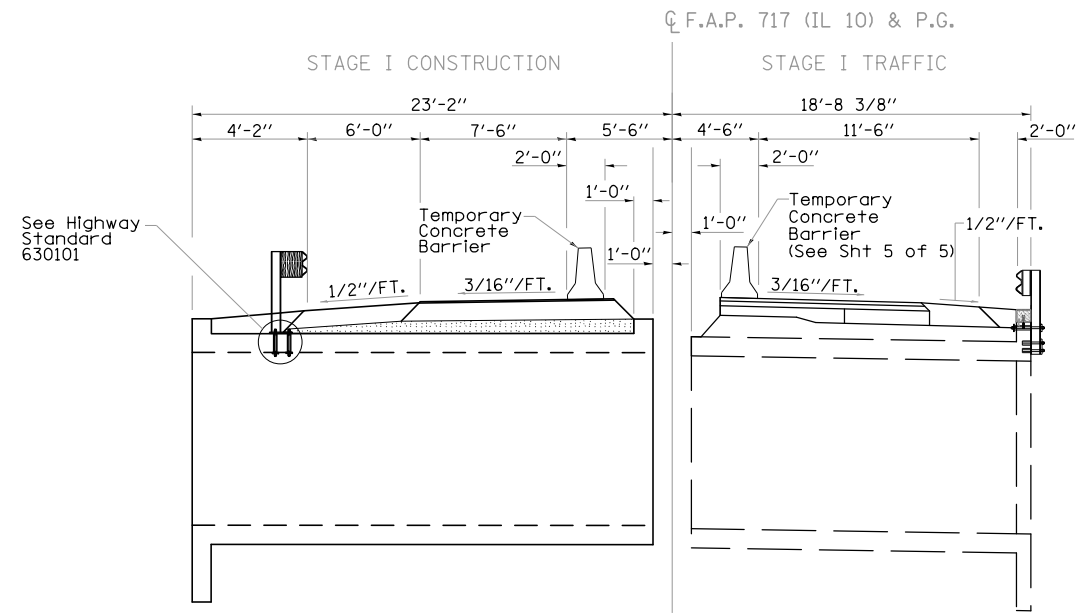
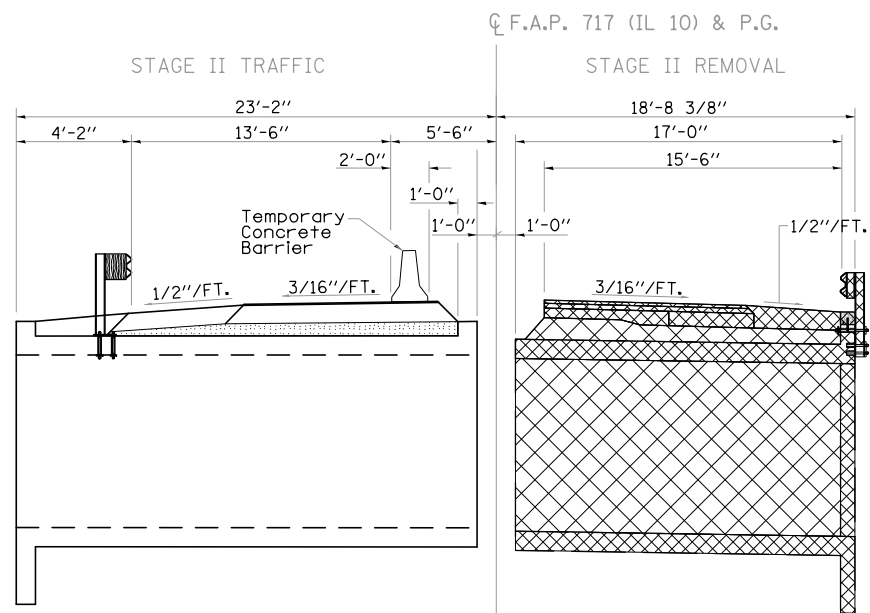


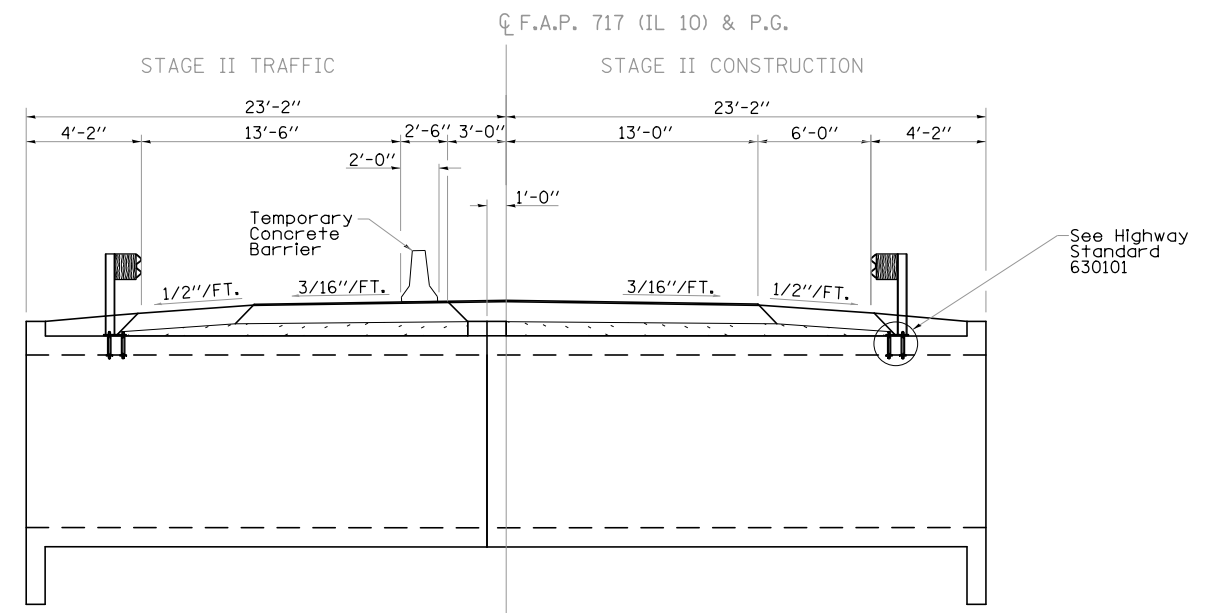
STAGE I REMOVAL



STAGE I CONSTRUCTION



STAGE II REMOVAL



STAGE II CONSTRUCTION

BLANK, WESSELINK, COOK & ASSOCIATES DECATUR, ILLINOIS ENGINEERS - CONSULTANTS DESIGN FIRM NO. 184000894

FILE NAME =	USER NAME =	DESIGNED PBB	REVISOR -
		CHECKED PBB	REVISOR -
		DRAWN CGF	REVISOR -
		CHECKED CWG	REVISOR -

**STATE OF ILLINOIS
DEPARTMENT OF TRANSPORTATION**

**STAGING DETAILS
STRUCTURE NO. 054-7069**

SHEET NO. 3 OF 5 SHEETS

F.A.P. RTE.	SECTION	COUNTY	TOTAL SHEETS	SHEET NO.
717	(102B-1,102CR,102BR-2)RS-5	LOGAN	218	52
CONTRACT NO. 72B82				

ILLINOIS FED. AID PROJECT