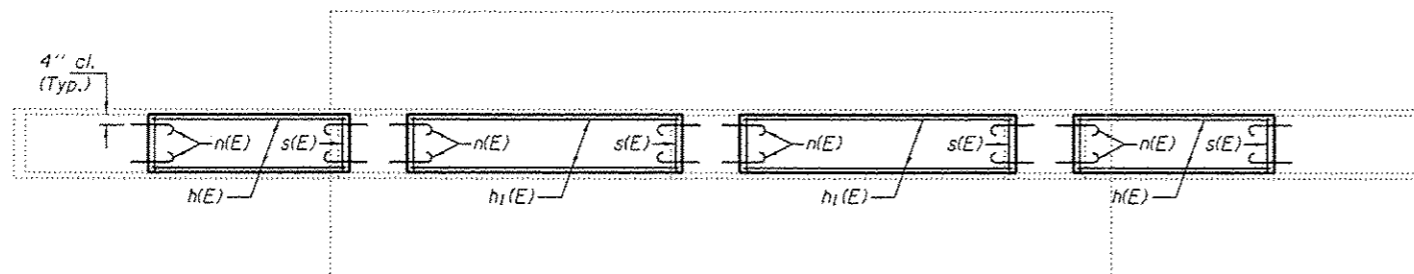
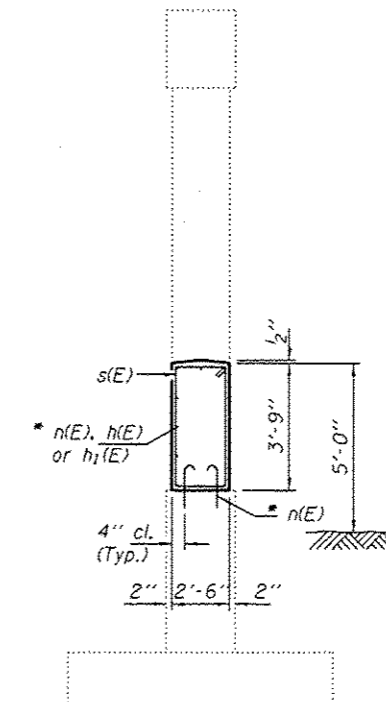
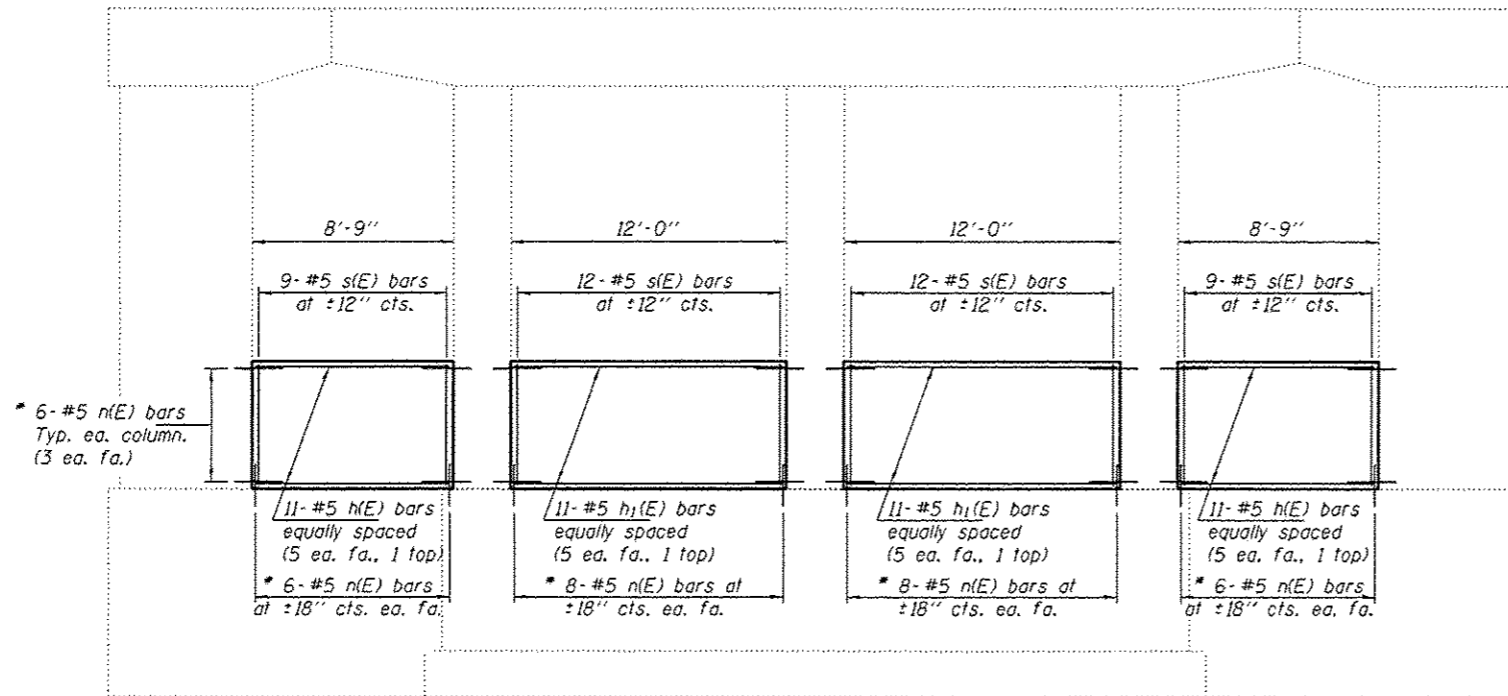


NOTES

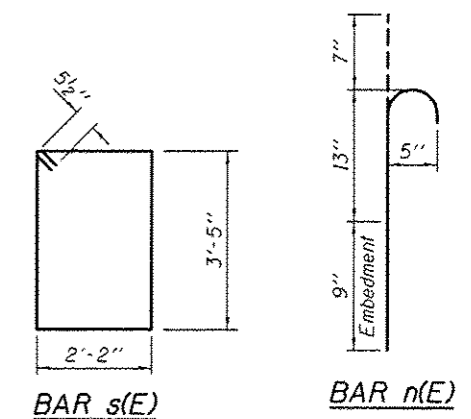
The cost of epoxy grouting threaded rods shall be included with Reinforcement Bars, Epoxy Coated.
 Plan dimensions and details relative to existing plans are subject to nominal construction variations. The Contractor shall field verify existing dimensions and details affecting new construction and make necessary approved adjustments prior to construction or ordering of materials. Such variations shall not be cause for additional compensation for a change in scope of the work, however, the Contractor will be paid for the quantity actually furnished at the unit price bid for the work.
 Reinforcement bars designated (E) shall be epoxy coated.



* Epoxy grout n(E) bars in 9" min. holes according to Article 584 of the Standard Specifications.

BILL OF MATERIAL

Bar	No.	Size	Length	Shape
h(E)	22	#5	8'-5"	—
h1(E)	22	#5	11'-8"	—
n(E)	104	#5	2'-5"	⌋
s(E)	42	#5	12'-1"	□
Concrete Structures			Cu. Yd.	14.4
Reinforcement Bars, Epoxy Coated			Pound	1250



EXPIRES 11-30-2014

DESIGNED VHV	EXAMINED <i>Timothy A. Dost</i>	DATE SEPTEMBER 27, 2013
CHECKED DAB	ACTING ENGINEER OF STRUCTURAL SERVICES	
DRAWN baliva	PASSED <i>David Carl Puzey</i>	REVISED
CHECKED VHV DAB	ACTING ENGINEER OF BRIDGES AND STRUCTURES	REVISED

STATE OF ILLINOIS
 DEPARTMENT OF TRANSPORTATION

PIER 2 CRASHWALL EXTENSION
 SN 084-0020

SHEET NO. OF SHEETS

F.A.P. RTE. 666	SECTION 126/RS-1	COUNTY SANGAMON	TOTAL SHEETS 116	SHEET NO. 57
ILLINOIS FED. AID PROJECT			CONTRACT NO. 72F50	