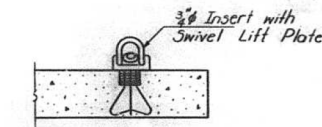
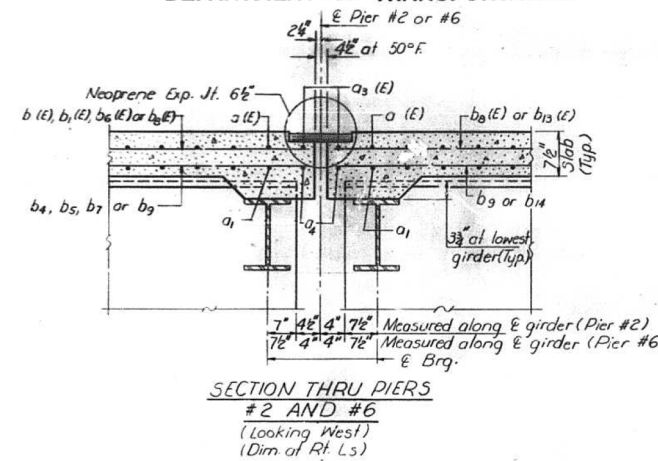
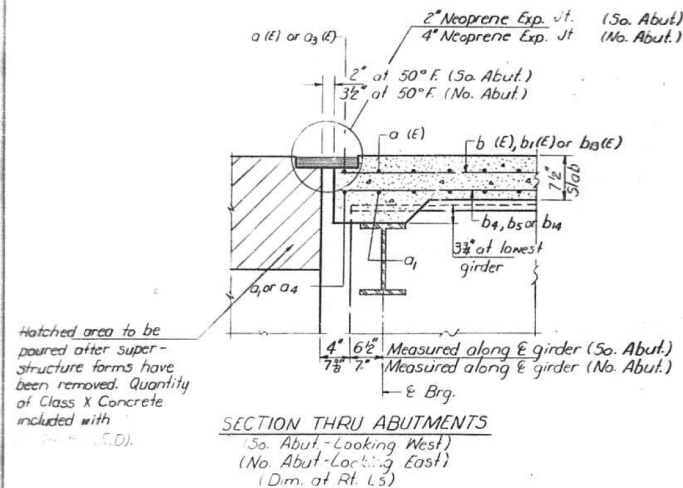


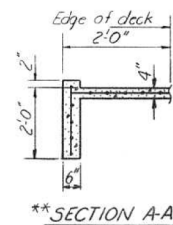
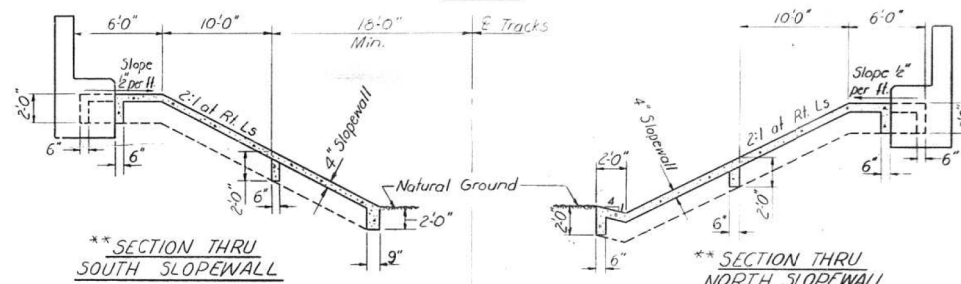
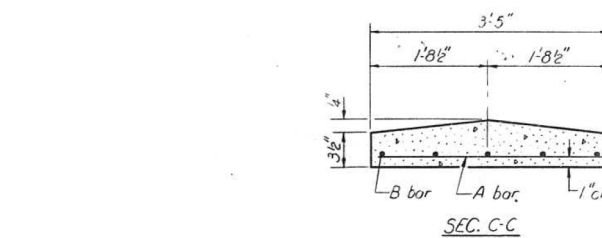
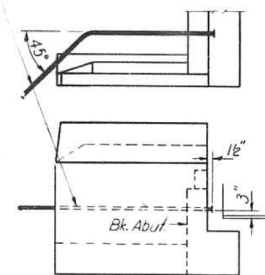
STATE OF ILLINOIS
DEPARTMENT OF TRANSPORTATION

PROJECT NO.	SECTION	COUNTY	TOTAL SHEETS	SHEET NO.
255	82-4	ST. CLAIR	50	14



Note: After panel is in place, replace Swivel Lift Plate with 3/4" Galvanized Bolt.

Locate 2" Galvanized Conduit (Sch. 40 Pipe) ±12" inside of fascia girder web and parallel to girder line. Extend to clear the wing wall and terminate at a point outside of shoulder. Thread and cap each end. Place conduit at each corner of the bridge. (4-Required) Cost incidental.



Note: For location of Sections A-A & B-B See sheet #1.

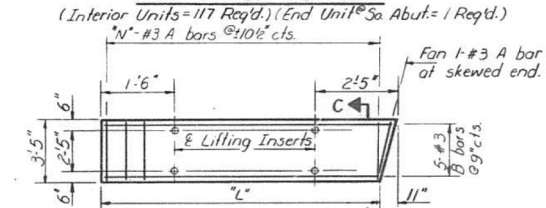
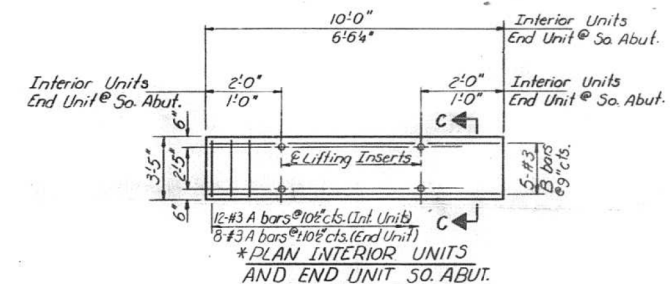
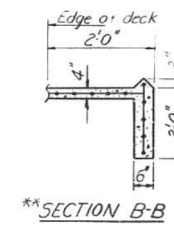


TABLE OF "L" & "N"

Location	"L"	"N"	No. Reqd.
Pier 2 (Span 2)	6'-6 1/4"	8	1
Pier 2 (Span 3) or Pier 6 (Span 6)	9'-9 1/8"	12	2
Pier 6 (Span 7) or No. Abut.	8'-9 1/8"	11	2

* Cost of reinforcement bars and lifting accessories cast into the Precast Concrete Planks is incidental to the Precast Concrete Planks.

** For Sec. 82-4HVB(B) only. (Remainder of details for Sec. 82-4HVB(S,E,D).)

SUPERSTRUCTURE DETAILS
FAT. RT. 2-5 SEC. 82-4HVB (B)
ST. CLAIR COUNTY
STA. 750+74.23

DESIGNED	Suresh T. Desai	EXAMINED	[Signature]
CHECKED	Jim Kohout	PASSED	[Signature]
DRAWN	S. Doty	APPROVED	[Signature]
CHECKED	J. K.		

July 23 1981

FOR INFORMATIONAL PURPOSES ONLY

FILE NAME =	USER NAME = #USER*	DESIGNED -	REVISED -	STATE OF ILLINOIS DEPARTMENT OF TRANSPORTATION	EXISTING STRUCTURE PLANS			F.A.I. RTE.	SECTION	COUNTY	TOTAL SHEETS	SHEET NO.	
#FILE#		DRAWN -	REVISED -		SCALE: NONE	SHEET NO. 1 OF 8 SHEETS	STA.	TO STA.	255	82-4HVB-I	ST. CLAIR	46	39
		PLOT SCALE = #SCALE*	REVISED -						CONTRACT NO. 76D51				
		PLOT DATE = #DATE*	REVISED -						FED. ROAD DIST. NO.	ILLINOIS	FED. AID PROJECT		