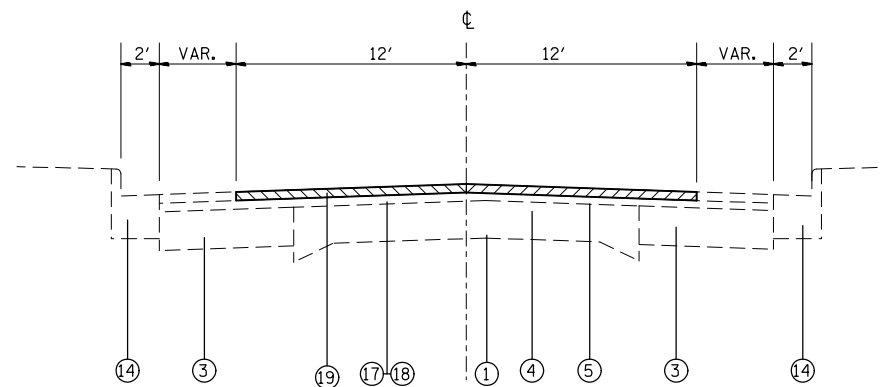
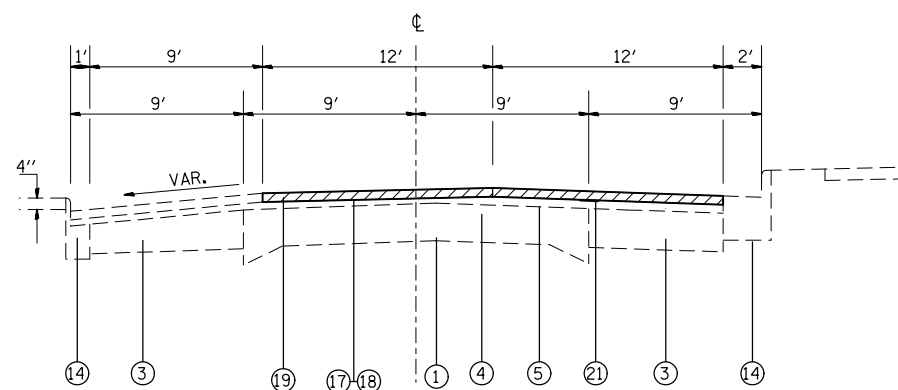


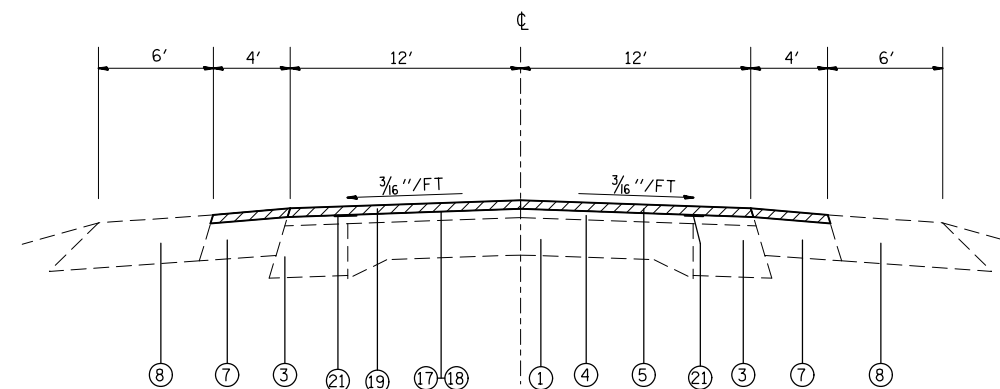
STA. 707+99.00 TO STA. 714+73.00



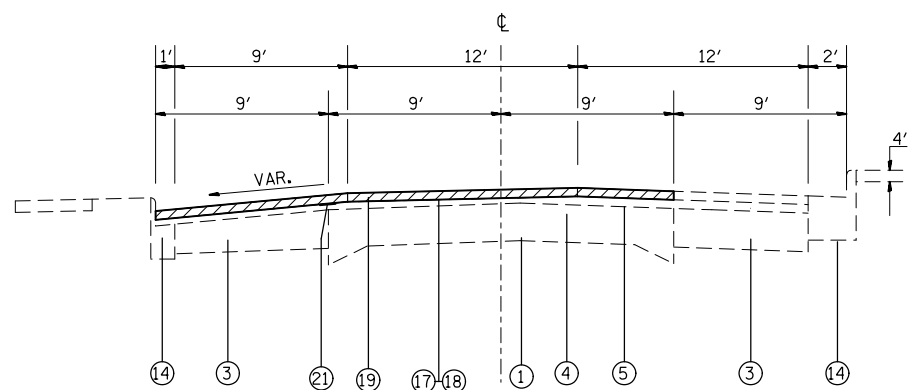
STA. 738+60.00 TO STA. 739+57.00
 STA. 739+57.50 TO STA. 743+00.00
 STA. 759+43.00 TO STA. 760+15.00



STA. 714+73.00 TO STA. 738+60.00



STA. 808+61.00 TO STA. 822+25.00



STA. 743+00.00 TO STA. 759+43.00

LEGEND

- ① EXISTING PAVEMENT (9-6-9)
 - ①A EXISTING HOT-MIX ASPHALT BASE COURSE, 9"
 - ② EXISTING PCC PAVEMENT 8"
 - ③ EXISTING HOT-MIX ASPHALT BASE COURSE WIDENING
 - ④ EXISTING HOT-MIX ASPHALT BINDER COURSE, VARIES
 - ⑤ EXISTING HOT-MIX ASPHALT SURFACE COURSE, 1/2"
 - ⑥ EXISTING GRANULAR SUBBASE
 - ⑦ EXISTING HOT-MIX ASPHALT SHOULDERS, 8"
 - ⑧ EXISTING AGGREGATE SHOULDER, 8"
 - ⑨ EXISTING HOT-MIX ASPHALT SHOULDERS, 6"
 - ⑩ EXISTING AGGREGATE SHOULDER, 6"
 - ⑪ EXISTING HOT-MIX ASPHALT SHOULDERS
 - ⑫ EXISTING AGGREGATE SHOULDER TYPE B
 - ⑬ EXISTING HOT-MIX ASPHALT BINDER,
 - ⑭ EXISTING CURB AND GUTTER
 - ⑮ EXISTING TYPE A GUTTER
 - ⑯ EXISTING TYPE B GUTTER
 - ⑰ PROPOSED BITUMINOUS MATERIAL (PRIME COAT)
 - ⑱ PROPOSED AGGREGATE (PRIME COAT)
 - ⑲ PROPOSED HOT-MIX ASPHALT SURFACE COURSE, 2 1/4"
 - ⑳ PROPOSED CONCRETE CURB TYPE B
 - ㉑ PROPOSED STRIP REFLECTIVE CRACK CONTROL TREATMENT
- ▨ HMA SURFACE REMOVAL, 2 1/4"

FILE NAME =	USER NAME = \$USER*	DESIGNED - _____	REVISED - _____
FILEL		DRAWN - _____	REVISED - _____
	PLOT SCALE = \$SCALE*	CHECKED - _____	REVISED - _____
MODELNAME	PLOT DATE = \$DATE*	DATE - _____	REVISED - _____

**STATE OF ILLINOIS
 DEPARTMENT OF TRANSPORTATION**

TYPICAL SECTIONS

SCALE: _____ SHEET _____ OF _____ SHEETS STA. _____ TO STA. _____

F.A.P. RTE.	SECTION	COUNTY	TOTAL SHEETS	SHEET NO.
861	(110,111)RS-3	RANDOLPH	23	6
CONTRACT NO. 76G65				
ILLINOIS FED. AID PROJECT				